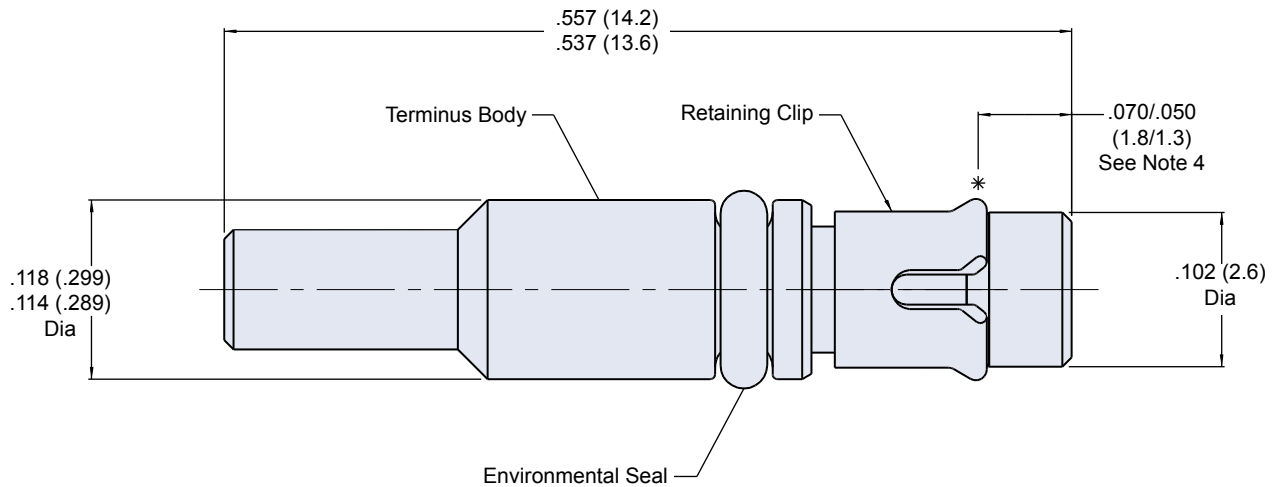


181-051
M29504/03 Style Dummy Terminus
Size 16



APPLICATION NOTES

1. Assembly packaged in plastic bag and tag identified with manufacturer's name and part number and date code.
2. Material/ Finish:
 Terminus Body: Stainless Steel/Passivate
 Retaining Clip: Spring Alloy/Nickel
 Seal: Fluorosilicone
3. Dummy terminus is designed to meet the general requirements of MIL-PRF-29504/03.
4. Dimension to be measured when installed into insert equivalent fixture per MIL-PRF-29504/03.

TABLE III: TERMINUS ACCESSORIES

Part Number	Accessory
182-013	Insertion Tool, Straight
182-014	Insertion Tool, 90°
182-015	Removal Tool