

SPECIFICATIONS

RESISTANCE RANGE _____ 100 TO 100K OHMS
 RESISTANCE TOLERANCE _____ ±5%
 ACCURACY _____ ±0.35% OF VOLTAGE RATIO
 REPEATABILITY _____ ±0.02% OR RESOLUTION OF POT
 RESOLUTION _____ SEE POT SPECIFICATIONS
 POWER RATING _____ 2 WATTS
 OPERATING TEMPERATURE _____ -30°C TO +85°C
 TEMPERATURE COEFFICIENT _____ ±20 PPM/°C
 TURNS _____ 10 (000 TO 999 COUNTS)
 TERMINALS _____ GOLD PLATED LUGS

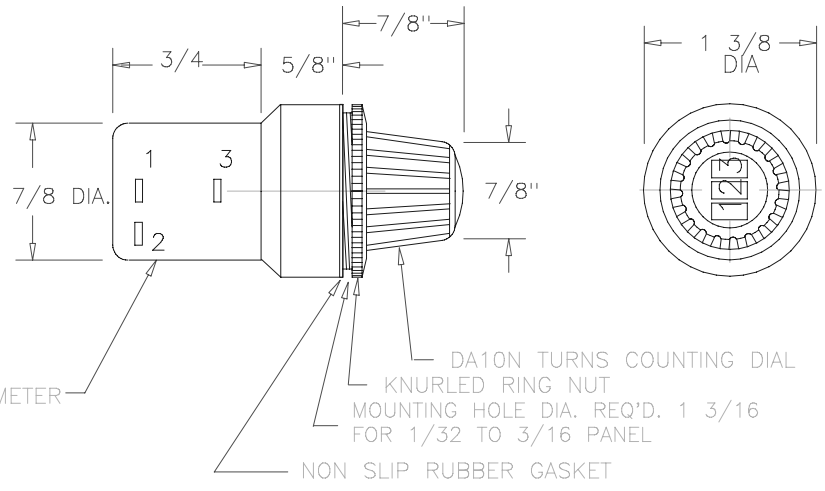
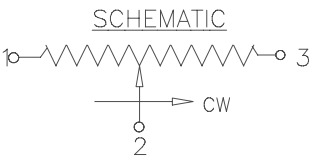
HOUSING MATERIAL _____ HIGH TEMP. BLACK PLASTIC

REV.	BY	DATE	PART NO.
A	BT	1-16-93	ADDED SPECIFICATIONS
B	AT	2-20-02	ADDED 1 TURN POTENTIOMETER

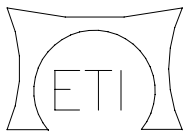
NOTES:

1. USE ETI SYSTEMS POTENTIOMETERS MODEL MW22B.
2. POTENTIOMETERS MAY BE 1,3,5,10 TURNS. ALSO MULTIPLE GANGS.
3. DIAL AVAILABLE WITHOUT POT, ASK FOR DA10N
4. THREADS WILL ACCEPT PANEL THICKNESS OF 3/16 MAX.
5. SEE POTENTIOMETER CATALOG FOR ADDITIONAL SPECIFICATIONS.

*MODEL WITH MW20B IS DW20.



MW22 POTENTIOMETER

<p>SCALE NONE</p> <p>DATE: 5-8-87</p> <p>BY</p>	<p>THIS DOCUMENT CONTAINS PROPRIETARY DATA OF POLARIS INDUSTRIAL ENTERPRISES, INC. NO DISCLOSURE, REPRODUCTION, OR USE OF ANY PART THERE OF MAY BE MADE EXCEPT BY WRITTEN PERMISSION.</p>	 <p>CARLSBAD CALIFORNIA</p>
<p>APPR'V'D BT</p> <p>CODE IDENT: 19477</p>		