

Mallory Sonalert Products, Inc.

Part #: **SC2036CPR**

Sales Outline Drawing

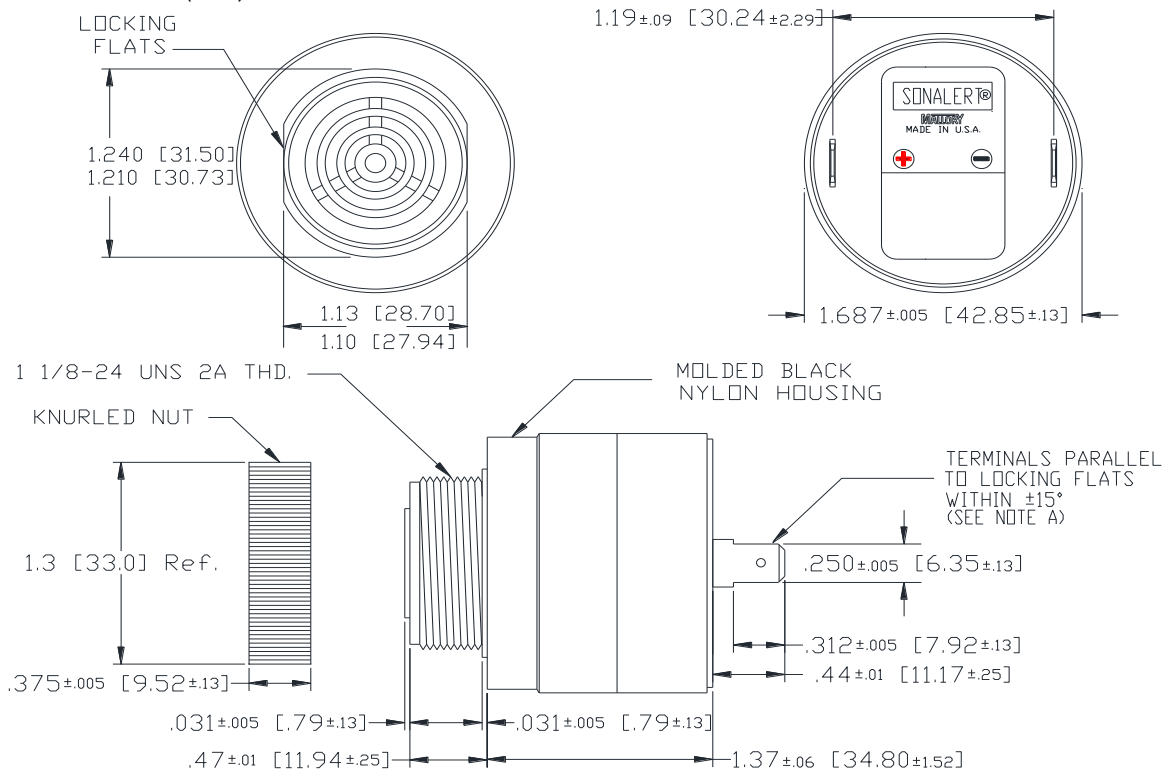
Revision: **E**

Specifications:

Sound Level Category	Medium
Mode of Operation	Single Pulse, Chime
Voltage Rating	20 to 36 VDC
Frequency	1000 ± 100 Hz
Loudness @ 2 FT	78 to 82 dB(A) Typ.
Loudness @ Min Vdc	68 dB(A) @ 2 Feet and 20 Vdc
Loudness @ Max Vdc	74 dB(A) @ 2 Feet and 36 Vdc
Current Draw	12-25mA
Duty Cycle (%)	50
Housing Material	6/6 Nylon, Color: Black
Storage Temperature	-40° to +85° C
Operating Temperature	-30° to +65° C
Panel Mounting	Recommended hole size is 1.25"(31.75mm). Thread front will fit standard 30mm(1.181") hole.
Knurled Nut	Used to attach part to panel. The max recommended torque is 10 in-lbs.
Weight (Typical)	1.8 oz (51g)
NEMA 3R,4X, & 12	Approved with use of ACC03.
Options	Please contact factory.

Dimensions: Inches (mm)

ROHS Compliant



MOUNTING: REMOVE BLACK PLASTIC NUT AND INSERT THREADED FRONT THROUGH 1.25" HOLE PUNCHED IN PANEL, IF ORIENTATION IS NEEDED, NOTE LOCKING FLATS ON DRAWING. SCREW NUT BACK ON. DO NOT OVERTIGHTEN.