

5

4

3

2

1

DRAWING NO. 28-81007-CUST					
REVISIONS					
01	OFFICIAL RELEASE				
	10-21-09	Y U	Y U	T H	Betty 2009.12.11 10:29:32 +08:00

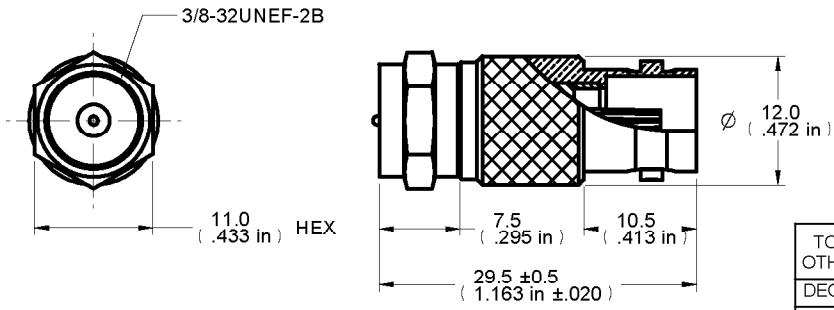


Description: 75 Ohm BNC Female to F Male
 Part No: 28-81007
 Application: Adapter
 Crimp Tool: N/A
 Impedance: 75 Ohm
 Frequency Range: 0-750 Mhz
 Material: Body Brass Nickel plated
 Contact Beryllium Gold plated
 Insulator Teflon
 Nut Brass Nickel plated

RoHS Compliance: Yes

Technical Detail: F End Refer to Emerson Document P/N 25-0000
 BNC End Refer to Emerson Document P/N 27-0000

受控 CONTROLLED DOCUMENT					
编号 P/N	28-81007	版本 Rev	01	日期 Rel'd Date	DEC 17, 09



DIM OUTLINE

CUSTOMER COPY

TOLERANCE UNLESS OTHERWISE SPECIFIED		DRAWN BY BETTY.YU	DATE 10-21-09	 Connectivity Solutions
DECIMALS	mm	CHECKED BY BETTY.YU	DATE 10-21-09	
X	± 0.5	APPROVED BY THOMAS	DATE 10-21-09	TITLE 75 OHM BNC FEMALE TO F MALE
X.X	± 0.3	U/M	mm	
X.XX	± 0.1			
ANGLES	± 0.5°			
THIS DRAWING WAS PRODUCED BY COMPUTER, DO NOT SCALE DRAWING OR UPDATE MANUALLY.				SHEET 1 OF 1
		DRAWING NO. 28-81007-CUST		SIZE A

D

C

B

A

D

C

B

A

5

4

3

2

1