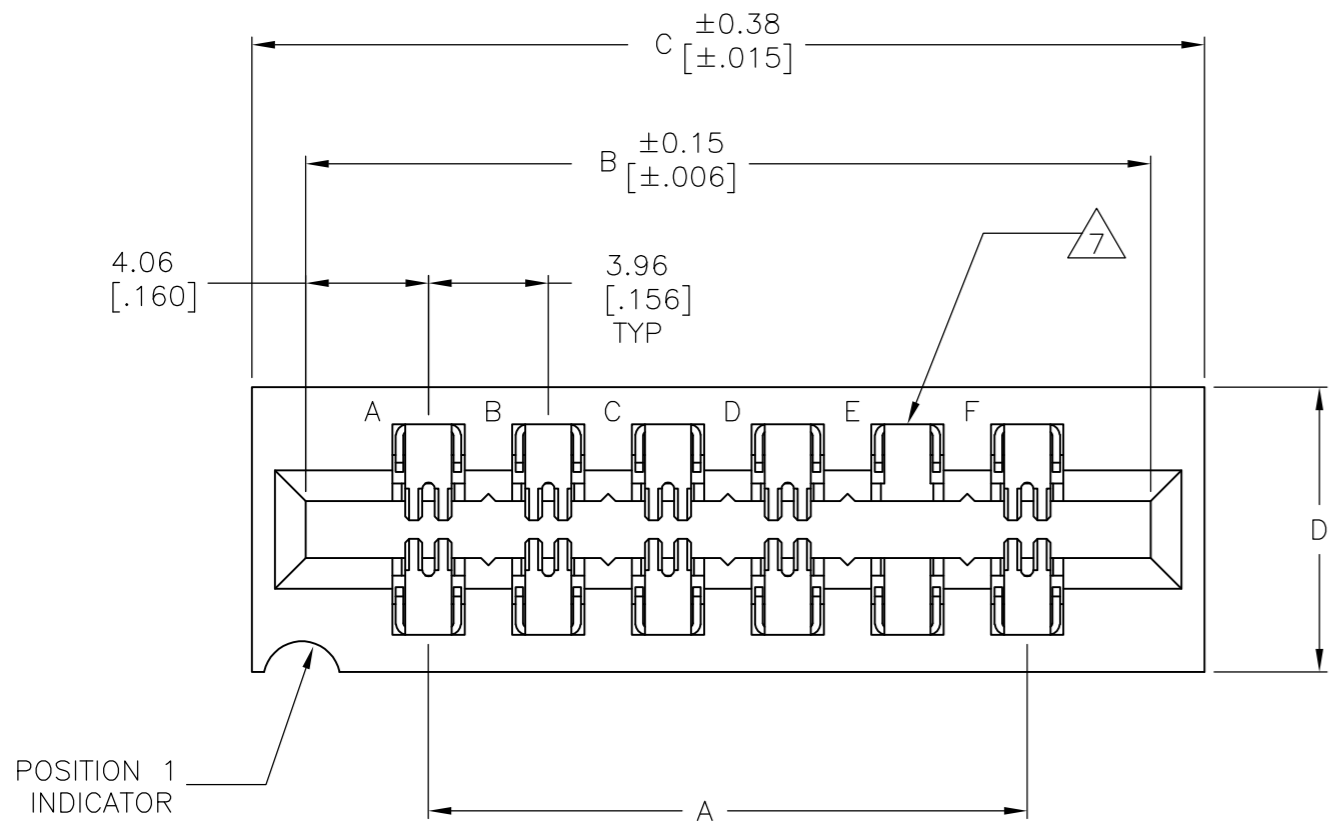
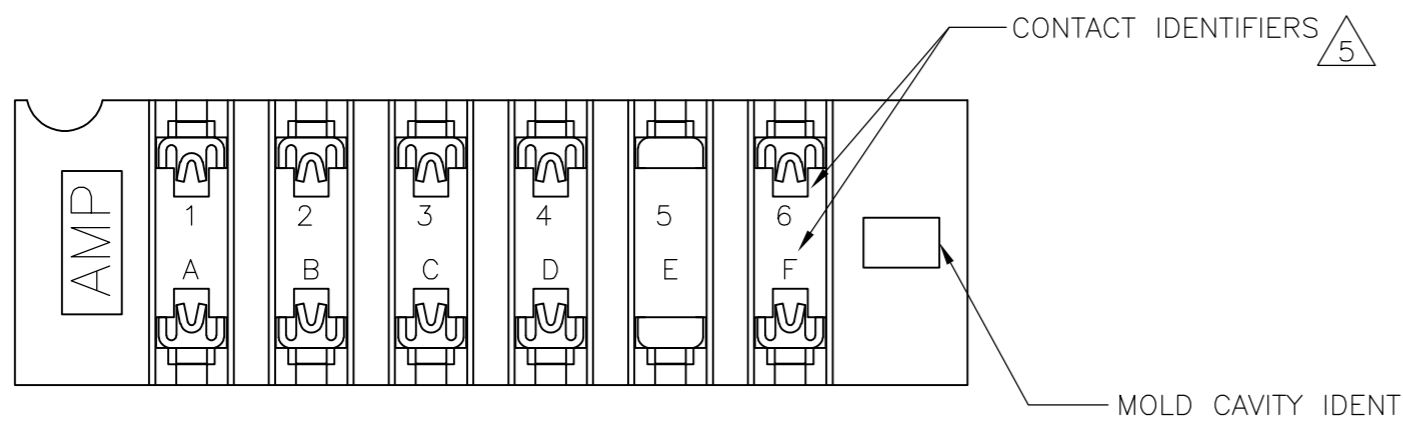
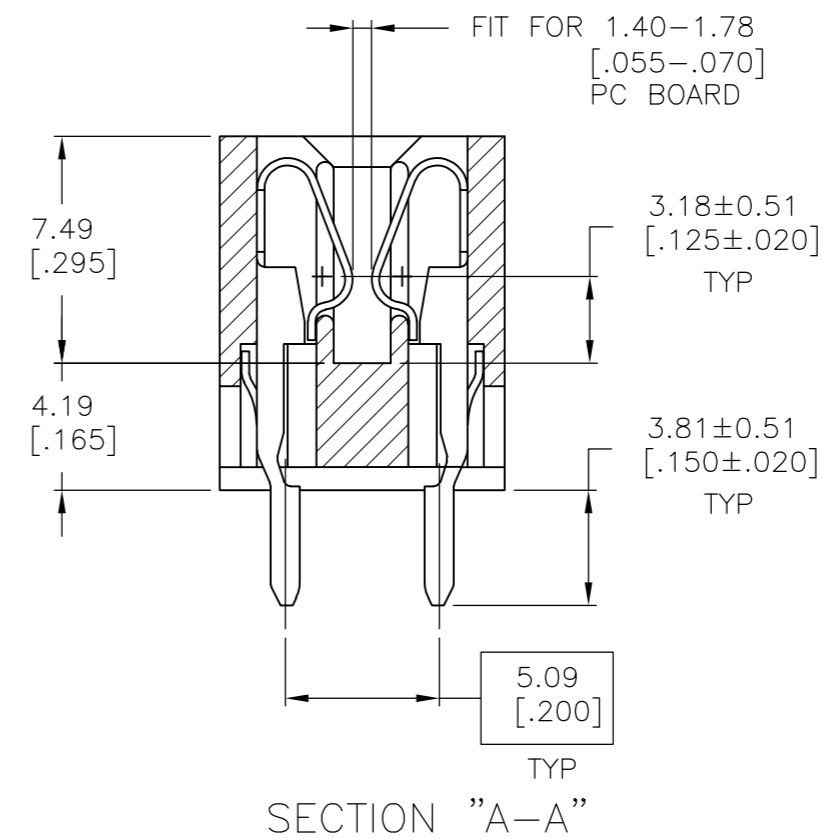
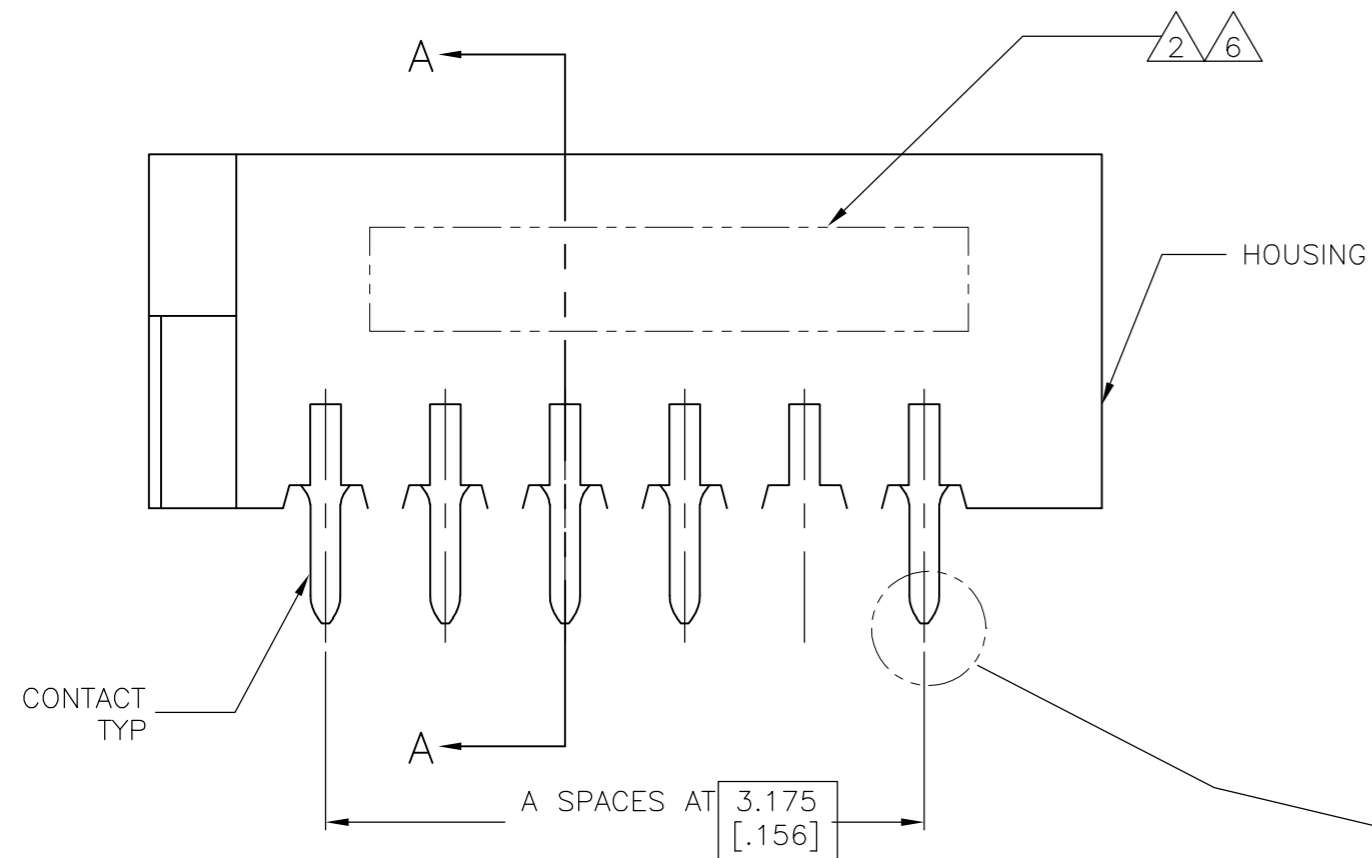


THIS DRAWING IS UNPUBLISHED. RELEASED FOR PUBLICATION
 © COPYRIGHT BY TYCO ELECTRONICS CORPORATION. ALL INTERNATIONAL RIGHTS RESERVED.

LOC		DIST		REVISIONS			
P	LTR	DESCRIPTION		DATE	DWN	APVD	
	A	INITIAL RELEASE		03JUN10	HMR	MM	



- 1 0.38µm[.000015] MIN GOLD ALL OVER 1.27µm[.000050] MIN NICKEL IN CONTACT AREA
- 2 ALL PARTS ASSEMBLED IN MEXICO MUST BE STAMPED "ASSY IN MEXICO" THE WORD "MEXICO" CAN BE SUBSTITUTED ONLY WHERE PART SIZE PROHIBITS STAMPING "ASSY IN MEXICO" INK STAMP COLOR WHITE OR HOT STAMP (NO WHITE TAPE) 115-9009 APPROX. WHERE SHOWN SIDE OPTIONAL
- 3 MATTE TIN PLATED CONTACT TAILS
- 4 HOUSING: GLASS FILLED POLYESTER, GREEN CONTACTS: PHOSPHOR BRONZE
- 5 MOLDED CHARACTERS (UPPER & LOWER CASE LETTERS FOLLOWED BY UPPER CASE LETTERS AA, AB, ETC.) OMITTING LETTERS G,I,O, & Q
- 6 AMP PART NUMBER AND DATE CODE INK STAMPED WHITE OR HOT STAMP NO WHITE TAPE IN THIS AREA (SIDE OPTIONAL)
- 7 CONTACTS OMITTED IN CAVITIES E AND 5



SCALE 10:1
 Ø1.32 MAX [Ø.052]
 ⊕ 0 [.000] (M)
 TYP

9.40(.370)	31.50(1.240)	27.94(1.100)	19.81(.780)	1 3	6	1977719-1
D	C	B	A	FINISH	NO OF POSN	PART NUMBER
THIS DRAWING IS A CONTROLLED DOCUMENT.				DWN RAGHAVENDRA 03JUN2010		
DIMENSIONS: mm [INCHES]				CHK MILLER MICHAEL 03JUN2010		
TOLERANCES UNLESS OTHERWISE SPECIFIED:				APVD MILLER MICHAEL 03JUN2010		
0 PLC ± -				NAME		
1 PLC ± -				Tyco Electronics Corporation		
2 PLC ± 0.13 [.005]				Harrisburg, PA 17105-3608		
3 PLC ± -				108-9044		
4 PLC ± -				APPLICATION SPEC		
ANGLES ± -				SIZE CAGE CODE DRAWING NO RESTRICTED TO		
FINISH SEE TABLE				A2 00779 C=1977719		
MATERIAL 4				WEIGHT -		
CUSTOMER DRAWING				SCALE 4:1 SHEET 1 OF 1 REV A		