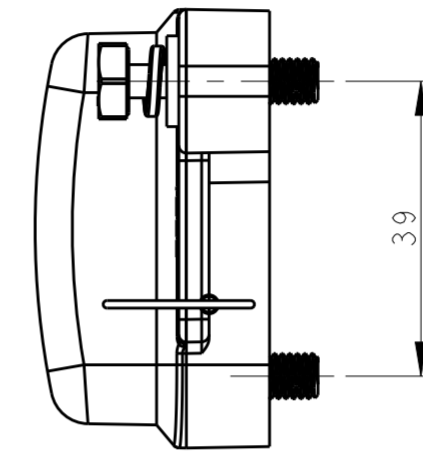
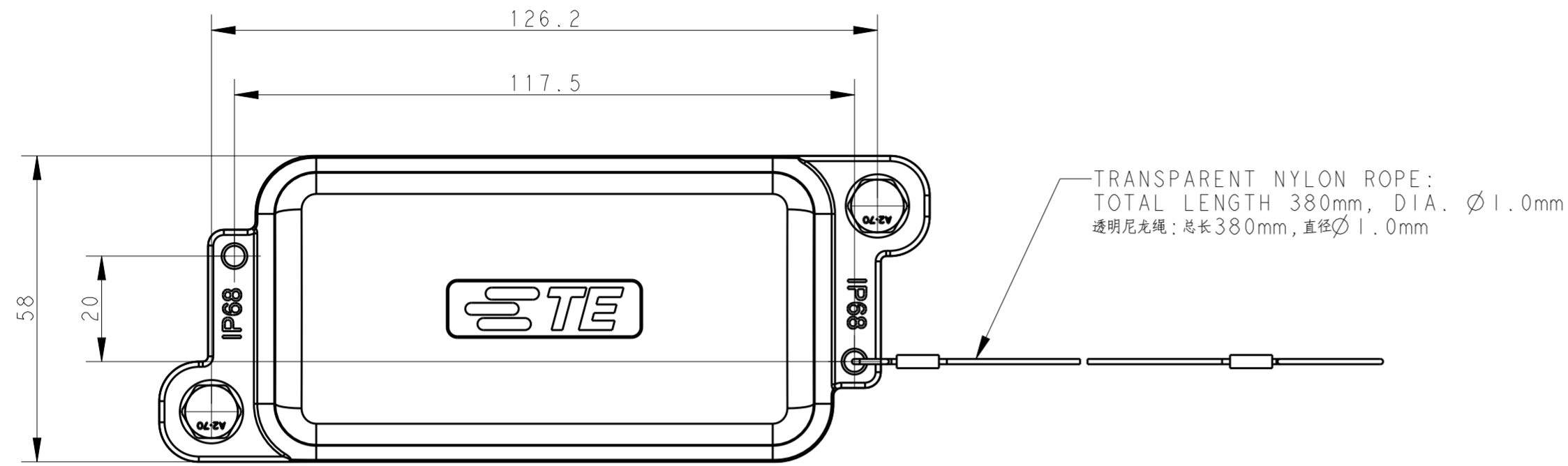
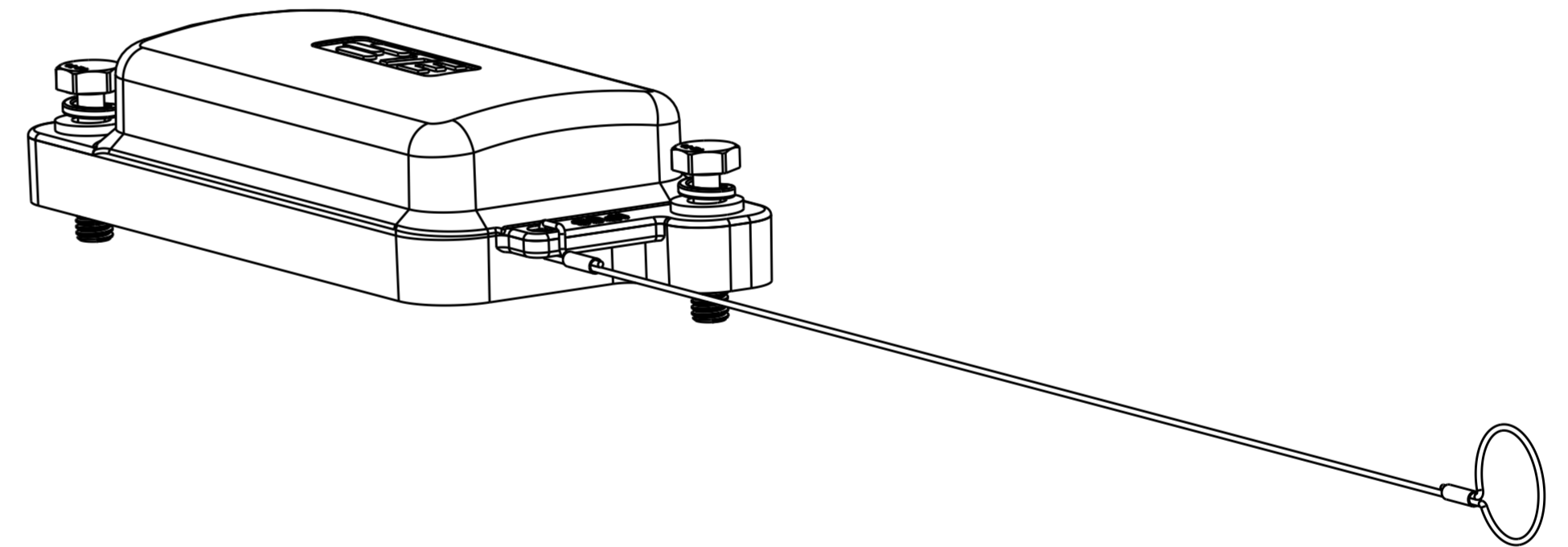
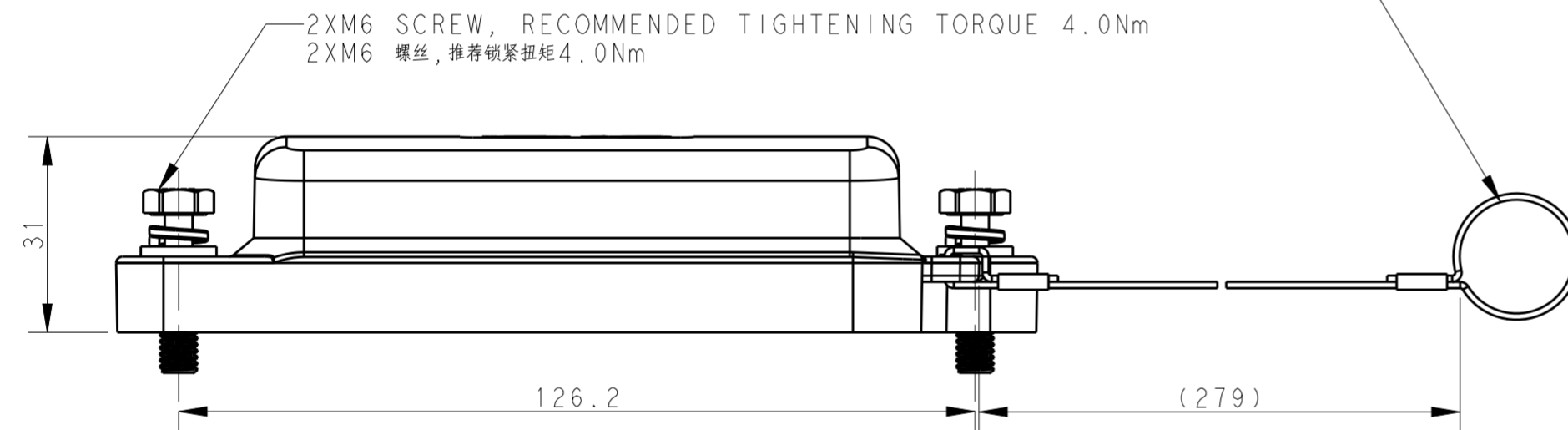


THIS DRAWING IS UNPUBLISHED. RELEASED FOR PUBLICATION 20
 © COPYRIGHT 20 BY - ALL RIGHTS RESERVED.

REVISIONS				
P	LTR	DESCRIPTION	DATE	APVD
A		INITIAL RELEASE	22OCT2016	DW CW
A1		ECR-17-008404	10JUN2017	CH CW



LOOP SIZE DEFAULT VALUE DIA. \varnothing 18,
 UNLESS HAVE SPECIAL REQUIREMENT.
 套圈大小默认值直径是 \varnothing 18, 除非有特别要求.



NOTES:
 1. TECHNICAL CHARACTERISTICS:
 COVER MATERIAL: DIE CAST ALUMINIUM ALLOY
 SURFACE TREATMENT: SEE TABLE

注释
 1. 技术参数:
 壳体材料: 铝合金
 表面处理: 见表格

T1990100000-009	H10BPR-KDBM-EMC-C	H10BPR HOUSING METAL PROTECTION COVER, DIAGONAL LOCKING, NYLON ROPE, PASSIVATION+POWDER COATED, BLACK / H10BPR对角锁定金属保护盖, 尼龙绳, 钝化+黑色粉末喷涂
PART NUMBER	PART DESCRIPTION	
料号	描述	

THIS DRAWING IS A CONTROLLED DOCUMENT.		DWN 22OCT2016 DAVID.WANG	TE Connectivity	
DIMENSIONS:		CHK 22OCT2016 CHRIS.WANG		
mm	TOLERANCES UNLESS OTHERWISE SPECIFIED:	APVD 22OCT2016 XIANG.XU	NAME H10BPR-KDBM-EMC-C	
	0 PLC \pm	PRODUCT SPEC	SIZE	CAGE CODE
	1 PLC \pm	-	A2	-
	2 PLC \pm	APPLICATION SPEC	DRAWING NO	RESTRICTED TO
	3 PLC \pm	-	G-T1990100000009	-
	4 PLC \pm	WEIGHT	SCALE	SHEET
	ANGLES \pm	-	1:1	OF 1
MATERIAL	FINISH	CUSTOMER DRAWING	REV	A1
-	-			