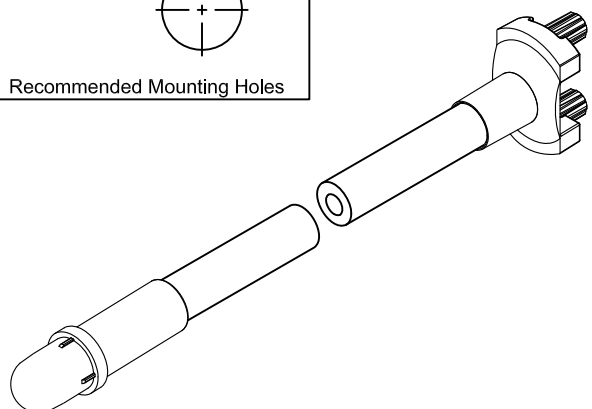
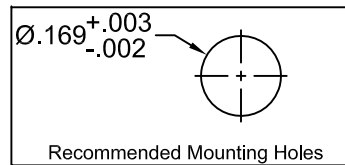
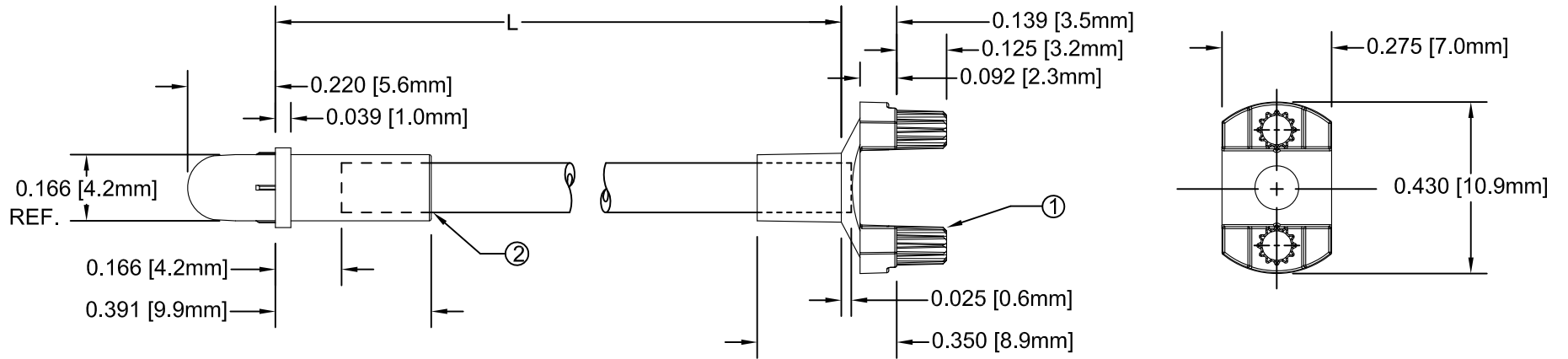


ITEM	Q'TY	PART NUMBER	PART DESCRIPTION
1	1	SMFLP2	Flexible Light Pipe 2mm Adapter, Surface Mount
2	1	FLPD-XX.X	Flexible Light Pipe Lens Cap Assembly, 2mm, Dome Face

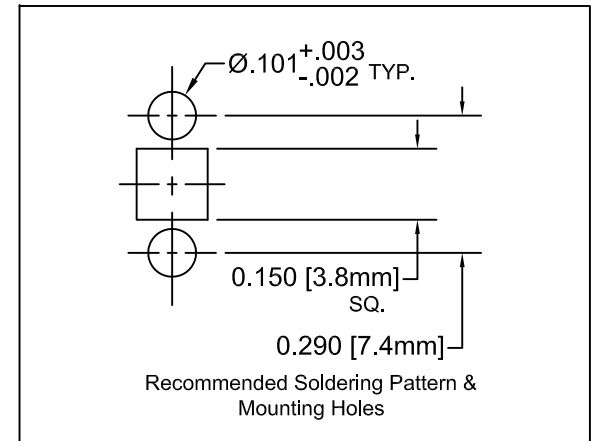
REV.	DESCRIPTION	DATE	APPROVED
A	Engineering Release	09/14/09	T. Y.
B	Updated Table For Length "L"	11/14/12	T. Y.

**NOTE: SMFLP2 ADAPTER SHIPPED NON-ASSEMBLED**



" L " *	Tolerance
1.0" ~ 16.0"	±0.050"
16.1" ~ 40.0"	±0.15"
40.1" ~ 80.0"	±0.30"
80.1" ~ 3,940.0"	±0.5%

\* Available in 0.1" increments only



STANDARD TOLERANCE ( UNLESS OTHERWISE SPECIFIED )		BIVAR®	
DECIMALS		4 THOMAS, IRVINE, CA. 92618	
.X	±.1	TEL: (949) 951-8808 FAX: (949) 951-3974	
.XX	±.02	TITLE: FLEXIBLE LIGHT PIPE ASSY, DOME FACE, SM ADAPTER	
.XXX	±.010	PART NO: SMFLP2D-X.X	
DESIGNED:	DATE: 09/14/09	REVISION: B	
Checked: Brian Oliver	DATE: 09/14/09	CAGE CODE : 32559 SHEET # 1 OF 1	
Checked: Fred Jensen	DATE: 09/14/09	CAD GENERATED DOCUMENT, DO NOT MEASURE DRAWING.	