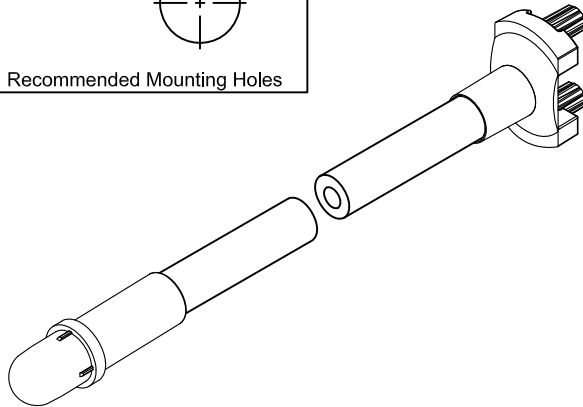
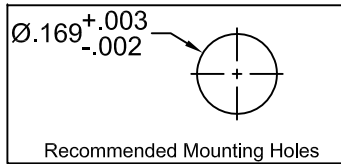
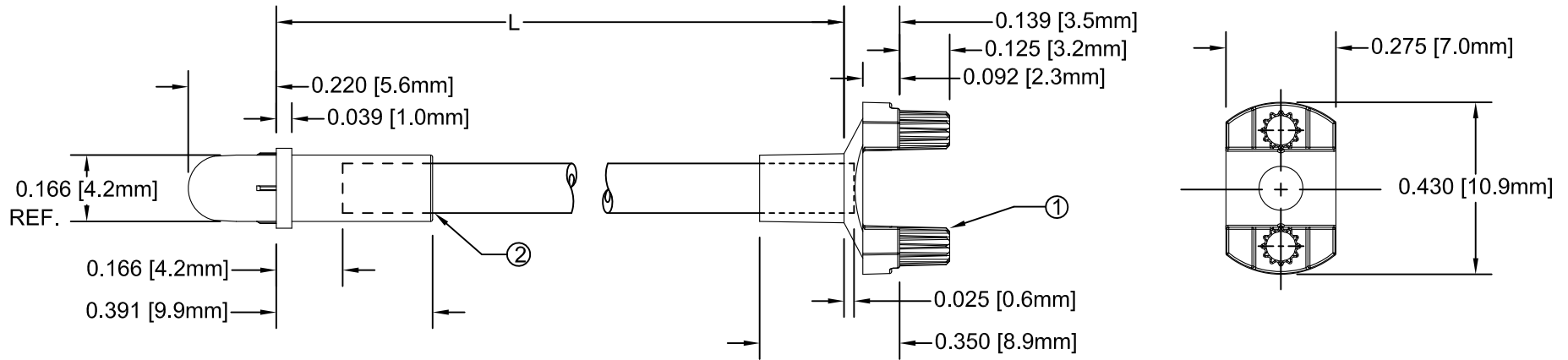


| ITEM | Q'TY | PART NUMBER | PART DESCRIPTION |
|------|------|-------------|---|
| 1 | 1 | SMFLP2 | Flexible Light Pipe 2mm Adapter, Surface Mount |
| 2 | 1 | FLPD-XX.X | Flexible Light Pipe Lens Cap Assembly, 2mm, Dome Face |

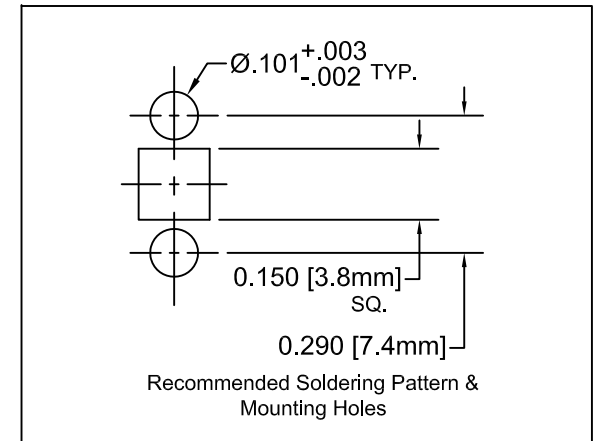
| REV. | DESCRIPTION | DATE | APPROVED |
|------|------------------------------|----------|----------|
| A | Engineering Release | 09/14/09 | T. Y. |
| B | Updated Table For Length "L" | 11/14/12 | T. Y. |
| | | | |
| | | | |
| | | | |

NOTE: SMFLP2 ADAPTER SHIPPED NON-ASSEMBLED



| " L " * | Tolerance |
|------------------|-----------|
| 1.0" ~ 16.0" | ±0.050" |
| 16.1" ~ 40.0" | ±0.15" |
| 40.1" ~ 80.0" | ±0.30" |
| 80.1" ~ 3,940.0" | ±0.5% |

* Available in 0.1" increments only



| | | | |
|--|--------------------------|---|--|
| STANDARD TOLERANCE (UNLESS OTHERWISE SPECIFIED) | | BIVAR [®] 4 THOMAS, IRVINE, CA. 92618 TEL: (949) 951-8808 FAX: (949) 951-3974 | |
| DECIMALS | ANGULAR | | |
| .X ±.1 | X° ± 1° | | TITLE: FLEXIBLE LIGHT PIPE ASSY, DOME FACE, SM ADAPTER |
| .XX ±.02 | | | |
| .XXX ±.010 | | | |
| DESIGNED: Brian Oliver | DATE: 09/14/09 | PART NO: SMFLP2D-X.X | REVISION: B |
| CHECKED: Fred Jensen | DATE: 09/14/09 | CAGE CODE : 32559 | SHEET # 1 OF 1 |
| CAD GENERATED DOCUMENT, DO NOT MEASURE DRAWING. | | | |