

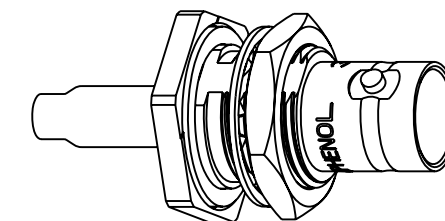
NOTES:

1. MATERIALS AND FINISHES:
 BODY, RETAINER RING & HEX NUT - BRASS, NICKEL PLATING
 CONTACT - PHOSPHOR BRONZE, GOLD PLATING
 FERRULE - COPPER ALLOY, NICKEL PLATING
 LOCKWASHER - PHOSPHOR BRONZE, NICKEL PLATING
 INSULATORS (X2) - PTFE
 GASKET - SILICONE RUBBER, COLOR RED
2. ELECTRICAL:
 A. IMPEDANCE: 75 OHM
 B. FREQUENCY RANGE: DC - 4 GHz
 C. D.W.V.: 500 VRMS, MIN.
3. MECHANICAL:
 A. DURABILITY: 500 CYCLES MIN.
 B. TEMPERATURE RANGE: -65° C TO +165° C
4. CUSTOMER NOTE: WHEN SOLDERING CONTACT TO CABLE, USE LEAD FREE SOLDER.
5. WHEN CRIMPING CONTACT PIN TO CABLE, CRIMP WITH AMPHENOL TOOL 227-944(M22520/5-01) AND DIE SET 227-980-2 CAVITY "B".
6. WHEN CRIMPING FERRULE TO CABLE, CRIMP WITH AMPHENOL TOOL 227-944(M22520/5-01) AND DIE SET 227-980-2 CAVITY "A"
7. PACKAGING:
 A. QUANTITY: SINGLE PACK
 B. MARKING: BAG TO BE MARKED
 "AMPHENOL, 31-70016, AND DATE CODE"

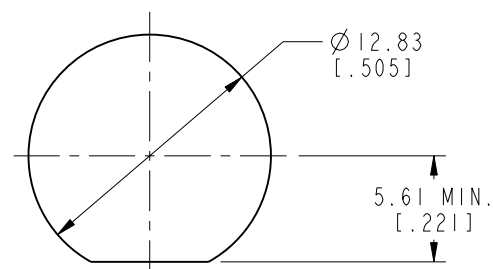
THIRD ANGLE PROJ.

REVISIONS

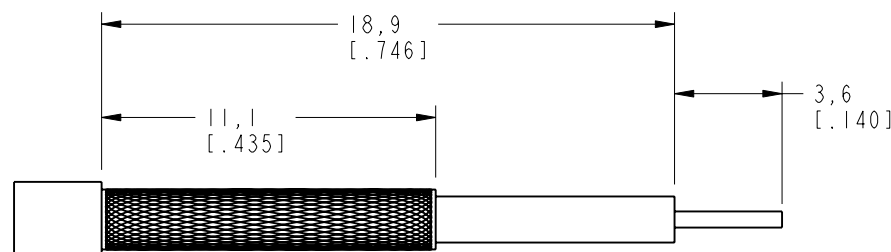
REV	DESCRIPTION	DATE	ECO	APPR
A	OFFICIAL ENG. RELEASR TO MFG.	11-Jul-85	31555	KS
B	31-11591-1 WAS 31-11591	14-Sep-85	32092	P.M
C	NOTE 3 WAS GRADE "D" PLATING	16-Feb-88	34866	RM
D	SYNC ARF AND ARFA DRAWING; LOCKWASHER AND NUT WERE CHANGED	11-Jul-11	48635	DH



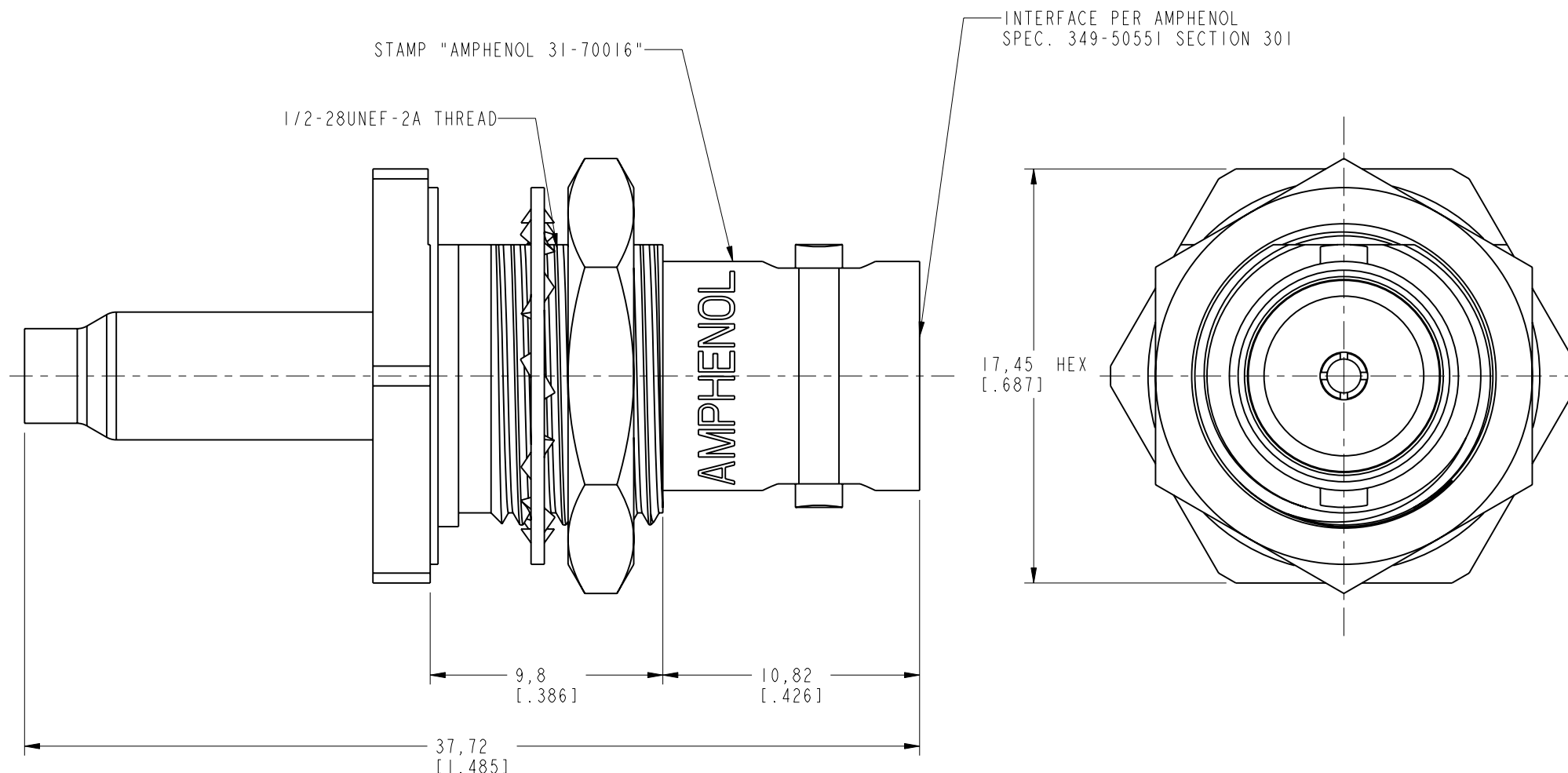
SCALE 1.500



RECOMMENDED MOUNTING
 PANEL DIMENSIONS
 SCALE 2.500



RECOMMENDED CABLE
 STRIPPING DIMENSIONS
 SCALE 4.000



CUSTOMER OUTLINE DRAWING
 ALL OTHER SHEETS ARE FOR INTERNAL USE ONLY

UNLESS OTHERWISE SPECIFIED, DIMENSIONS ARE IN METRIC AND TOLERANCES ARE: <0.5mm ±0.05mm 0.5 - 6mm ±0.1mm 6 - 30mm ±0.2mm 30 - 120mm ±0.3mm ANGLES ±1° NOTICE - These drawings, specifications, or other data (1) are, and remain the property of Amphenol corp. (2) must be returned upon request; and (3) are confidential and not to be disclosed to any person other than those to whom they are given by Amphenol Corp. the finishing of these drawings, specifications, or other data by Amphenol Corp., or to any other person for any purpose is not to be regarded by implication or otherwise in any manner licensing, granting rights to permitting such holder or any other person to manufacture, use or sell any product, process or design, patented or otherwise, that may in any way be related to or disclosed by said drawings, specifications, or other data.	MATERIAL	DRAWN	DATE	TITLE		Amphenol RF Danbury CT USA, Tainan, Taiwan, Shenzhen, China www.amphenolrf.com DRAWING NO. 31-70016 ITEM NO. 31-70016 PART NO. 31-70016
	SEE NOTE 1	I.XU	20-Jun-11	BNC BULKHEAD JACK 75 OHM FOR RG 179/U CABLE		
	REFERENCE EAR 112-972850-50	ENGINEER RICHER	DATE 12-Apr-02	SCALE: 4.0:1.0 SHEET 2 OF 2		
	FINISH	APPROVED D.HU	DATE 11-Jul-11	DWG SIZE B	REV D	