

This document is the property of Amphenol Corporation and is delivered on the express condition that is not to be disclosed, reproduced or used, in whole or in part, for manufacture or sale by anyone other than Amphenol Corporation without its prior consent, and that no right is granted to disclose or to use any information in this document.

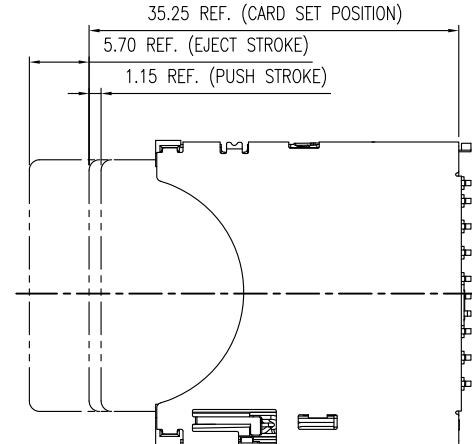
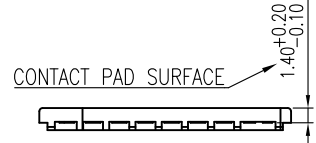
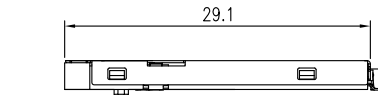
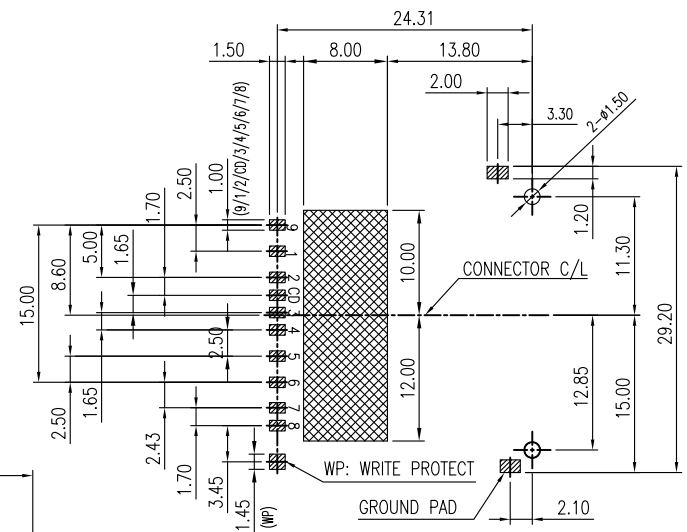
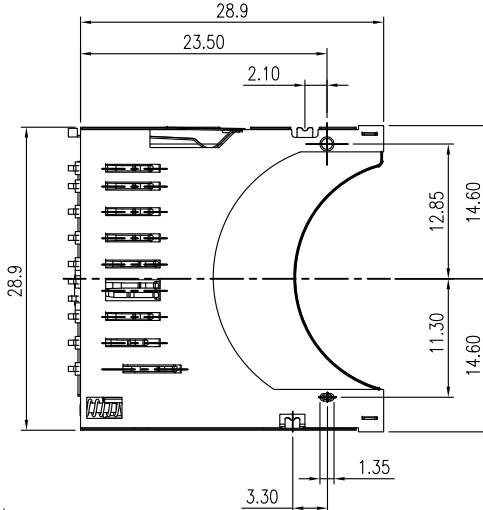
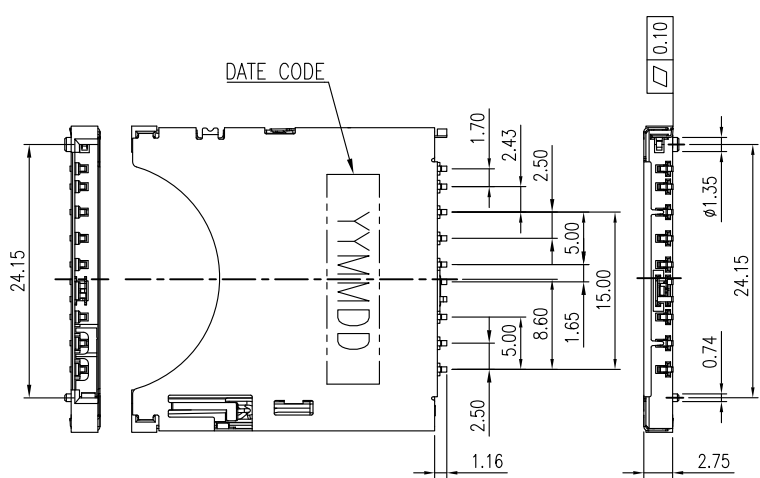
The marking on this product doesn't contain environmental hazardous materials per Material Specification SS-00259 for Sony GP compliant or per directive 2002/95/EC for RoHS compliant.



ORIGINAL



REVISIONS				
SYM	ECN No.	DESCRIPTION	DATE	APPROVED
A1	NE-09125	ADD KEEP OUT AREA	07/20/2009	Roger Tsai
B1	NE-11096	MODIFIED DRAWING	09/13/2011	Roger Tsai
C1	NE-11166	ADD DIM & MODIFY PCB LAYOUT	11/24/2011	Roger Tsai
D1	NE-11186	MODIFIED DRAWING	12/28/2011	Roger Tsai
E	NE-07910	DWG UPDATED	12/14/2007	Hank Hsu
F	NE-09098	PACKING DWG UPDATED	06/08/2009	Arron Lin



PIN NO.	SD	MMC
P1	MMC-DAT SD-DAT3	1P 7P
P2	MMC-CMD SD-CMD	2P 2P
P3	MMC-VSS1 SD-VSS1	3P 3P
P4	MMC-VDD SD-VDD	4P 4P
P5	MMC-CLK SD-CLK	5P 5P
P6	MMC-VSS2 SD-VSS2	6P 6P
P7	MMC-DAT SD-DAT0	7P 1P
P8	SD-DAT1	8P
P9	SD-DAT2	9P

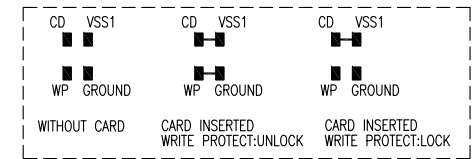
- NOTES:
- INSULATOR: LCP, UL94V-0, COLOR: BLACK
 - CONTACT: PHOSPHOR BRONZE
15μ" GOLD PLATED ON CONTACT AREA
160μ" TIN PLATED ON SOLDER TAIL
 - GROUND: PHOSPHOR BRONZE, 160μ" TIN PLATED
 - SHELL: STAINLESS STEEL
 - THIS PRODUCT DOESN'T CONTAIN ENVIRONMENTAL HAZARDOUS PER MATERIAL SPECIFICATION SS-00259 FOR SONY GP.
 - THE SPRING MUST BE RELEASED WHEN REFLOW PROCESSED.

RECOMMENDED CONTACT PAD SURFACE
SD MEMORY CARD

VIEW OF INSERTED CARD

RECOMMENDED PCB LAYOUT
(ALL TOLERANCE ARE ±0.05)

▨ : RECOMMENDED SOLDER PAD AREA
▩ : TRACE KEEP OUT AREA



TOLERANCE	APPROVALS	DATE	TITLE	UNIT	SIZE	PART No.
X.	DRAWN		GSD SERIES SD CARD CONNECTOR SMT TYPE, 9 POSITIONS PUSH-PUSH TYPE	mm	A3	Amphenol® Amphenol Corporation Amphenol Taiwan Corporation
X.X	Aqua Chou	12/28/2011				
X.XX	CHECKED					
X.XXX	Roger Tsai	12/28/2011				
ANGULAR ±1°	APPROVED	Roger Tsai	12/28/2011	SCALE	SHEET	DWG No.
UNLESS OTHERWISE SPECIFIED	DWG TYPE	PROJECT CODE	OTHER	NA	1 OF 2	GSD 09 002 SEU
						REV. D1

