

D'Sub Metallic Hoods

DTZK & DVZK series



MAIN CHARACTERISTICS

- **Material and plating:**
Zinc die-cast, nickel plated
- **Cable strainrelief:**
Steel fiber reinforced Polycarbonate UL94V-O
- **Temperature range:**
-40°C to 120°C
- **Cable diameter:**
3 to 13mm
- **Attenuation factor:**
> 40 dB between 30 MHz and 1 GHz
- **Approvals:**
VDE 0871 - FCC 20780 - 89 / 336 / EU



DESCRIPTION

Amphenol metallic hood series for D'Sub connectors offers protection from magnetic and radio interference to cable assemblies.

Easily assembled these hoods are suitable for all industrial and telecom applications.

*Shield
Your cable
assemblies!*

APPLICATIONS

- Industrial
- Military
- Telecom
- Any application requiring EMI/RFI protection



Amphenol

D'SUB ACCESSORIES / E23

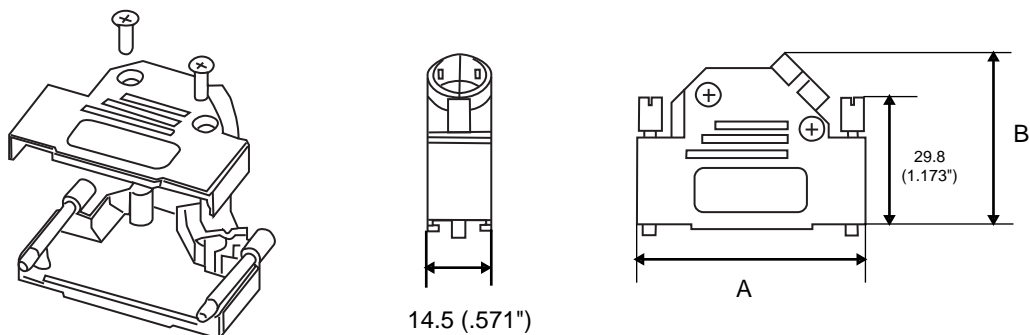
DTZK Series



| Part number | A | B |
|--------------|------------------|------------------|
| L17DTZK9Kxx | 21 (.827") | 38.3 (1.508") |
| L17DTZK15Kxx | 39.5 (1.555") | 40.5 (1.594") |
| L17DTZK25Kxx | 54.4 (2.144") | 47.3 (1.862") |
| L17DTZK37Kxx | 70.9 (2.791") | 52.2 (2.055") |

xx = Blank for plastic knob and FM for metal knob

DVZK Series



| Part number | A | B |
|--------------|------------------|------------------|
| L17DVZK9Kxx | 31 (1.220") | 36,2 (1.425") |
| L17DVZK15Kxx | 39,5 (1.555") | 40,2 (1.583") |
| L17DVZK25Kxx | 53,2 (2.094") | 40,2 (1.583") |
| L17DVZK37Kxx | 69,7 (2.744") | 40,2 (1.583") |

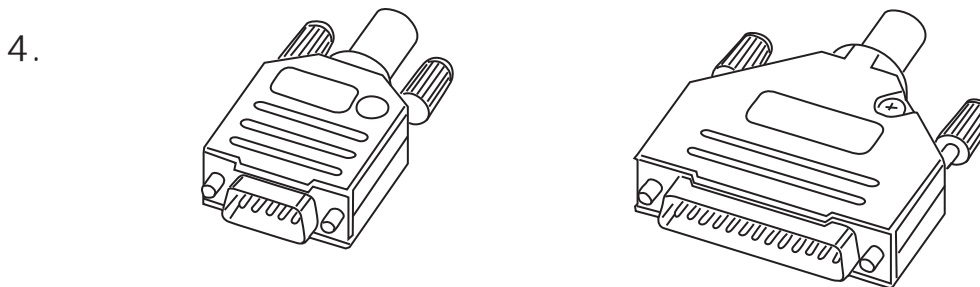
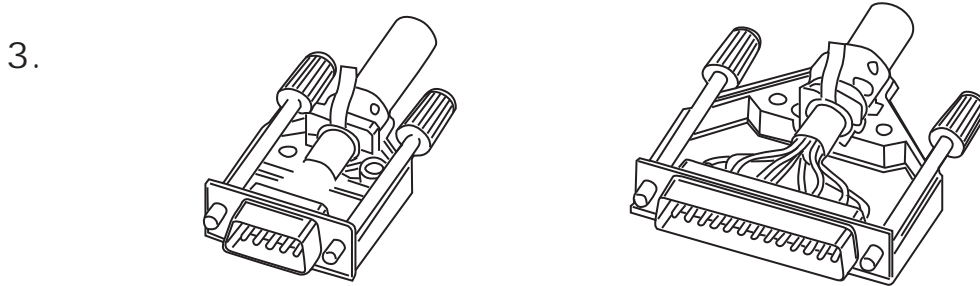
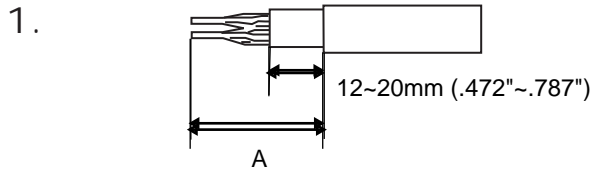


9 Size equipped with only one screw

xx = Blank for plastic knob and FM for metal knob

Assembly Instructions DTZK Series

| Type | A |
|--------------|----------|
| L17DTZK9Kxx | 30 |
| L17DTZK15Kxx | (1.181") |
| L17DTZK25Kxx | 40 |
| L17DTZK37Kxx | (1.575") |

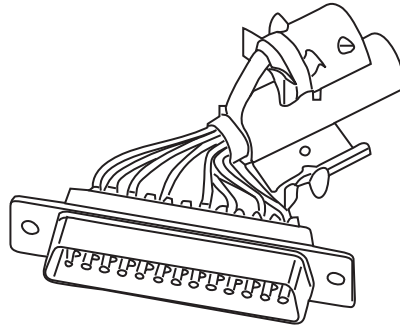


Assembly Instructions DVZK Series

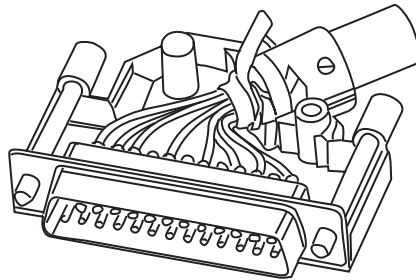
1.



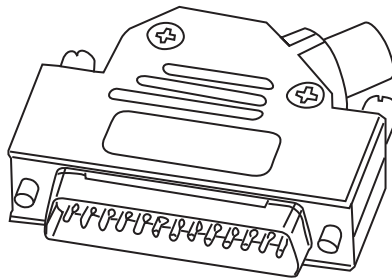
2.



3.



4.



| Type | A |
|--------------|----------|
| L17DVZK9Kxx | 30 |
| L17DVZK15Kxx | (1.181") |
| L17DVZK25Kxx | 45 |
| L17DVZK37Kxx | (1.772") |

Do not hesitate to contact us for further information



Amphenol

Amphenol IT & Communication Products

Block A3/A4, The 4th Industrial District of
Industrial Headquarters, Dong Keng Road
Gong Ming Town, Shen Zhen China
Fax:+86(0)755 2754 9955

Technical Support

Tel:+86(0)755 2717 7945
Info-dsub@amphenol.com.cn
<http://www.dsubconnector.com>