

DO NOT SCALE PRINT

A3 FORMAT

MTG-GX-318

REPLACES

CHART NUMBER

5

ISSUE

RELEASE No. DR#491

REVISIONS

2 CO#2281

ML 14.02.02

3 JR 76186

KRB 19.07.04

4 0029189

BS 14MAR07

5 0079671

SBH 19JUL11

01/01

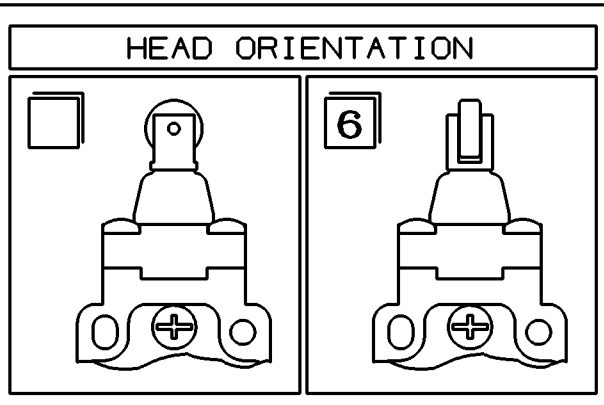
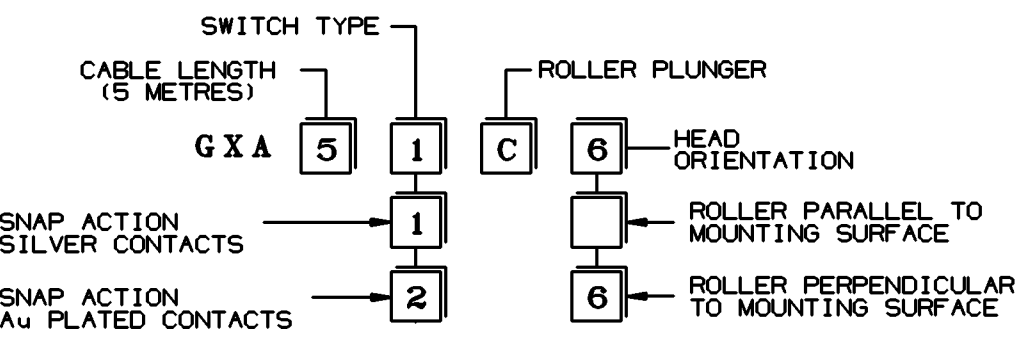
DRAWN I. WEIR

CHECK

DESIGN

AUTHOR 'N

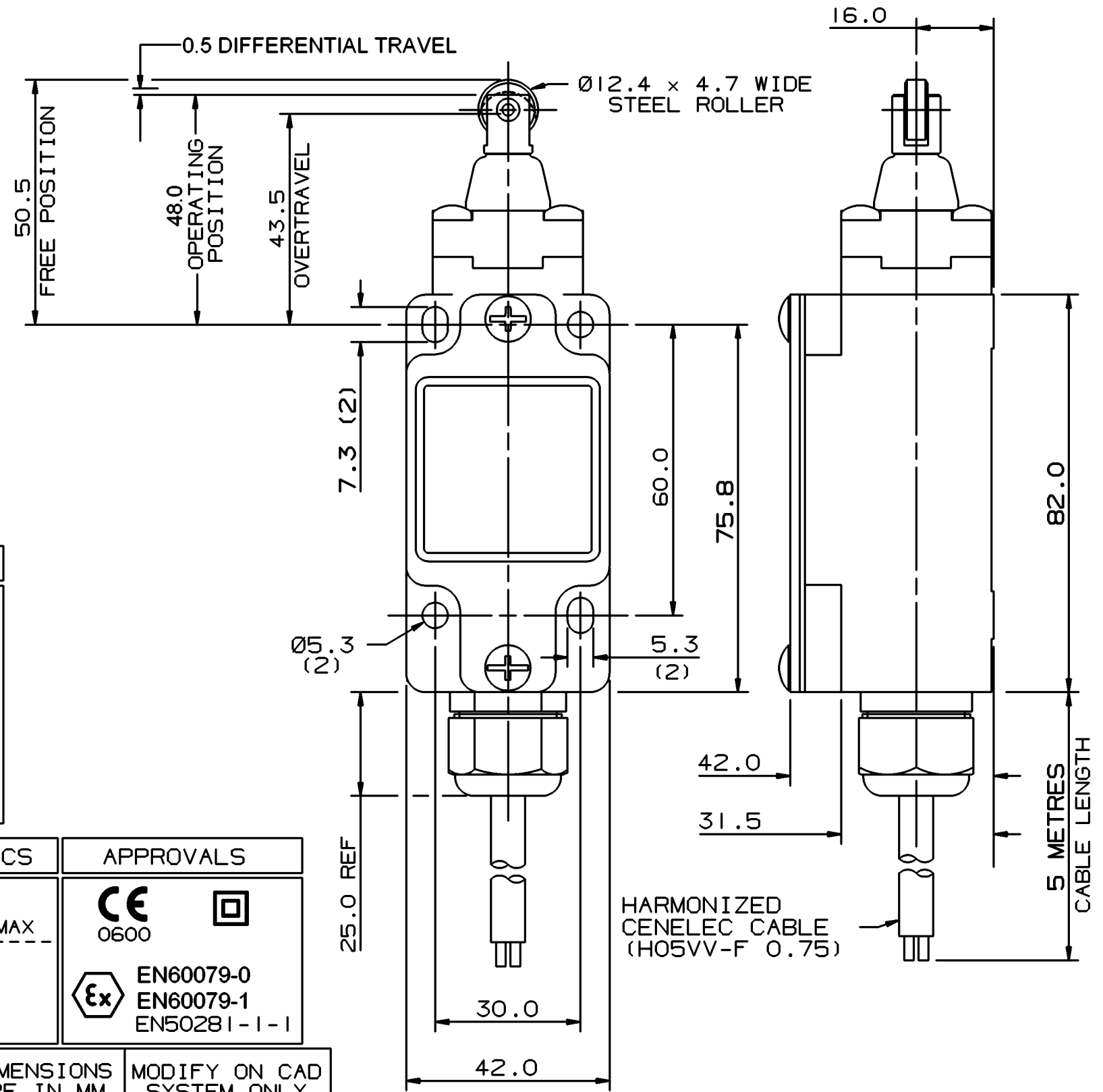
**Honeywell** **LIMIT SWITCH** CHART NUMBER **MTG-GX-318**



**\* ATEX APPROVED PART \***  
**NO CHANGE TO DRAWING**  
**WITHOUT THE JOINT AGREEMENT OF**  
**APPROVALS/DESIGN/MARKETING**

**NOTES :-**

1. BLUE EPOXY PAINT FINISHED ZINC DIE-CAST BODY AND STEEL COVER. BLACK EPOXY PAINT FINISHED ZINC DIE-CAST HEAD.
2. FOR PRODUCT CODING AND SPECIAL CONDITIONS OF USE REFER TO INSTALLATION INSTRUCTION SHEET XP-4051
3. MOUNTING TO EN50041.
4. STANDARD LISTINGS CAN HAVE SUFFIX 'RS' OR 'FE'.
5. KEMA CERTIFICATION REFERENCE: KEMA 00 ATEX 2103X, IECEX KEM10.0039X.
6. APPROVED BY KEMA TO II 2 GD Exd IIC T6 85°C.



ENVIRONMENTAL	CIRCUIT DIAGRAM
<p>IP66</p> <p>TEMP RANGE : -20°C TO 75°C            OPERATING AND STORAGE -4°F TO 167°F</p> <p>SHOCK : 50G PER IEC 68-2-27            VIBRATION : 10G PER IEC 68-2-6</p>	<p>SWITCH TYPES 1 &amp; 2</p>

ELECTRICAL RATING		CHARACTERISTICS	APPROVALS
SILVER CONTACTS	GOLD CONTACTS	OPERATING FORCE 16 N MAX	
AC-15 4A 250V			EN60079-0 EN60079-1 EN50281-1-1
AC-15 2A 400V			
DC-13 0.15A 250V			

THE COPYRIGHT OF THIS DRAWING IS THE PROPERTY OF HONEYWELL LTD. THE DRAWING IS SUPPLIED IN CONFIDENCE AND MUST NOT BE USED FOR ANY PURPOSE OTHER THAN THAT FOR WHICH IT IS SUPPLIED.

THIRD ANGLE PROJECTION

SCALE 1/1

DIMENSIONS ARE IN MM

MODIFY ON CAD SYSTEM ONLY