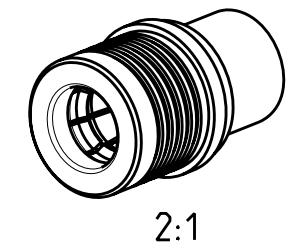
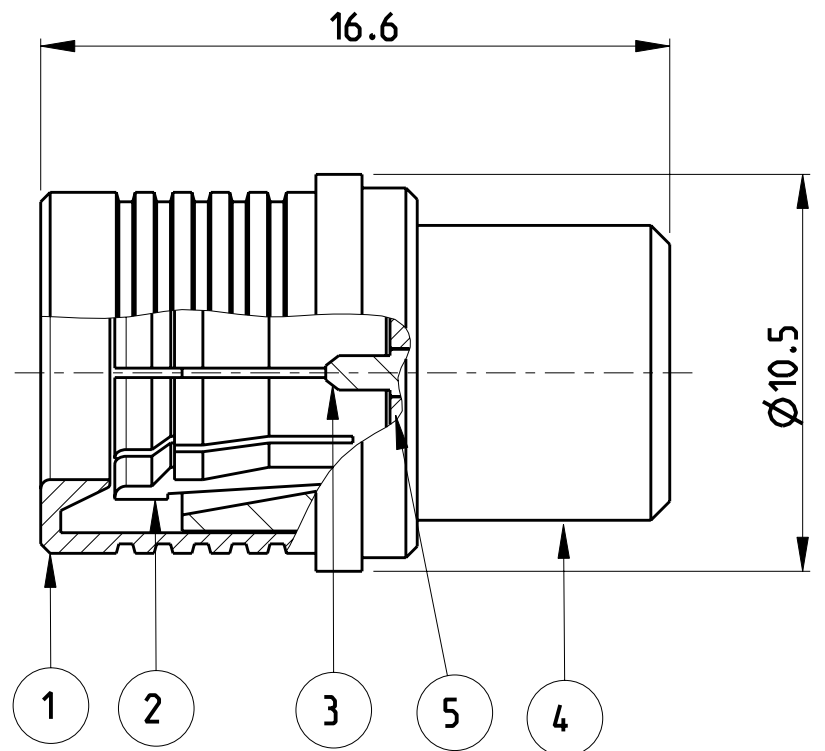


THIS DRAWING IS UNPUBLISHED. RELEASED FOR PUBLICATION 2006
 © COPYRIGHT 2006 BY TYCO ELECTRONICS CORPORATION. ALL RIGHTS RESERVED.

LOC	DIST	REVISIONS			
P	LTR	DESCRIPTION	DATE	DWN	APVD
IS	-	A	Released to production	08.11.2006	MS DB



619271-1 △2	5	Dielectric	PTFE	None	1
	4	Housing	Brass	min. 0.15 µm Au over min. 2 µm NiP over min. 0.2 µm Cu	1
	3	Center conductor	Brass	min. 0.15 µm Au over min. 2 µm NiP over min. 0.2 µm Cu	1
	2	Outer conductor	CuBe/Bronze	min. 0.2 µm Au over min. 2 µm NiP over min. 0.5 µm Cu	1
	1	Release ring	Bronze/Brass	min. 2 µm CuSnZn alloy over min. 0.2 µm Cu	1
Part Nr	Item	Description	Material	Plating	Qty

- △1 General tolerances acc. to ISO 2768-mH
- △2 Bulk packaging
- 3) CHARACTERISTIC IMPEDENCE 50 Ohm

THIS DRAWING IS A CONTROLLED DOCUMENT FOR TYCO ELECTRONICS CORPORATION. IT IS SUBJECT TO CHANGE AND THE CONTROLLING ENGINEERING ORGANIZATION SHOULD BE CONTACTED FOR THE LATEST REVISION.		DWN R.Luppi 01JUN2006	tyco Electronics tyco Electronics Switzerland - Lugano		
DIMENSIONS: mm		CHK D.Bozzer 01JUN2006			
TOLERANCES UNLESS OTHERWISE SPECIFIED: 0 PLC ± 1 PLC ± 2 PLC ± 3 PLC ± 4 PLC ± ANGLES ±°		APVD -	NAME QMA Plug Terminator		
MATERIAL -		FINISH -			
		PRODUCT SPEC -	RESTRICTED TO -		
		APPLICATION SPEC -	SIZE A3	CAGE CODE 00779	DRAWING NO G-619271
		WEIGHT -	CUSTOMER DRAWING		
			SCALE 5:1	SHEET 1 OF 1	REV A

