

THIS DRAWING IS UNPUBLISHED.

RELEASED FOR PUBLICATION

20

© COPYRIGHT 20 BY -

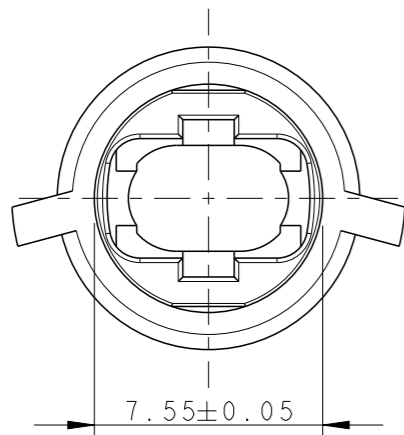
ALL RIGHTS RESERVED.

LOC -

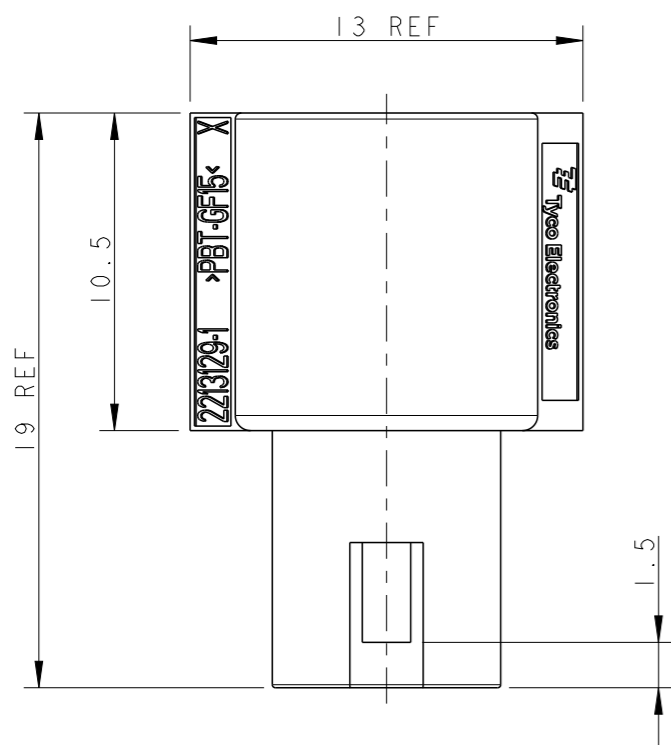
DIST -

REVISIONS

| P | LTR | DESCRIPTION               | DATE      | DWN | APVD |
|---|-----|---------------------------|-----------|-----|------|
|   | A   | REVISED PER ECR-13-000948 | 06FEB2013 | RS  | DD   |
|   |     |                           |           |     |      |
|   |     |                           |           |     |      |



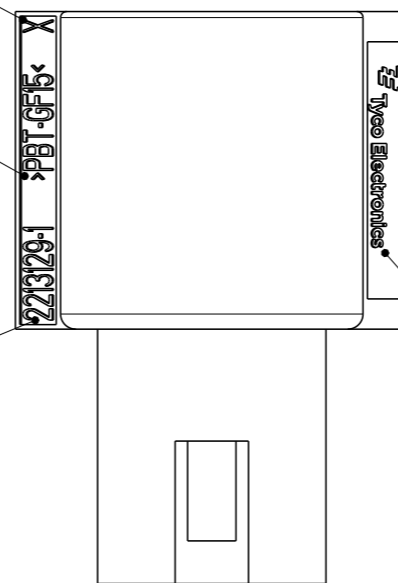
⚠ MATERIAL: PBT-GF15  
COLOR: WHITE



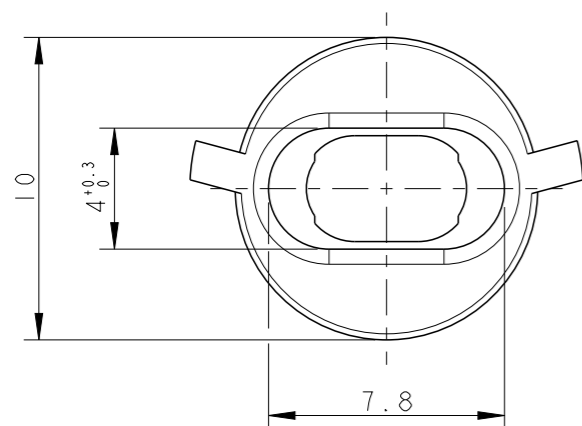
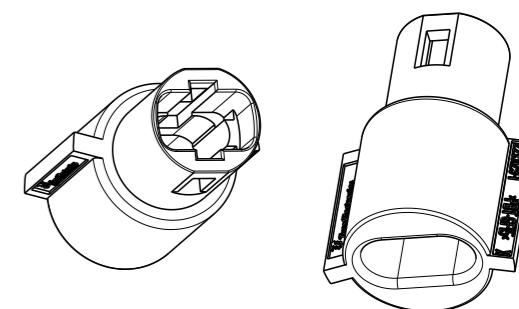
MOLD CAVITY ID

RAW MATERIAL


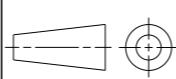

TE PART NUMBER



TE LOGO



2213129-1  
PART NO

|                                                                                       |  |                         |                                                                                                       |                     |
|---------------------------------------------------------------------------------------|--|-------------------------|-------------------------------------------------------------------------------------------------------|---------------------|
| THIS DRAWING IS A CONTROLLED DOCUMENT.                                                |  | DWN RAVI.S 14SEP2012    |  TE Connectivity |                     |
| DIMENSIONS: mm                                                                        |  | CHK D.DECKER 14SEP2012  |                                                                                                       |                     |
| TOLERANCES UNLESS OTHERWISE SPECIFIED:                                                |  | APVD D.DECKER 14SEP2012 | NAME                                                                                                  |                     |
| 0 PLC ±.5<br>1 PLC ±0.5<br>2 PLC ±0.13<br>3 PLC ±0.02<br>4 PLC ±.<br>ANGLES ±0.5°     |  | PRODUCT SPEC -          | MINI HVL LIGHTING SYSTEM 7.5mm<br>CHASSIS MOUNT HOUSING SUPPORT FOR SPT-2 WIRE.                       |                     |
| MATERIAL -                                                                            |  | FINISH -                | APPLICATION SPEC -                                                                                    | RESTRICTED TO -     |
|  |  | WEIGHT -                | SIZE A300779                                                                                          | CAGE CODE C-2213129 |
|  |  | Customer Drawing        | SCALE 4:1                                                                                             | SHEET 1 OF 1 REV A  |