

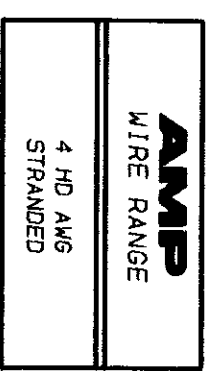
THIS DRAWING IS UNPUBLISHED. RELEASED FOR PUBLICATION
 © COPYRIGHT 19 BY AMP INCORPORATED. ALL INTERNATIONAL RIGHTS RESERVED.

LOC 6 DIST 14

P F ZONE LTR

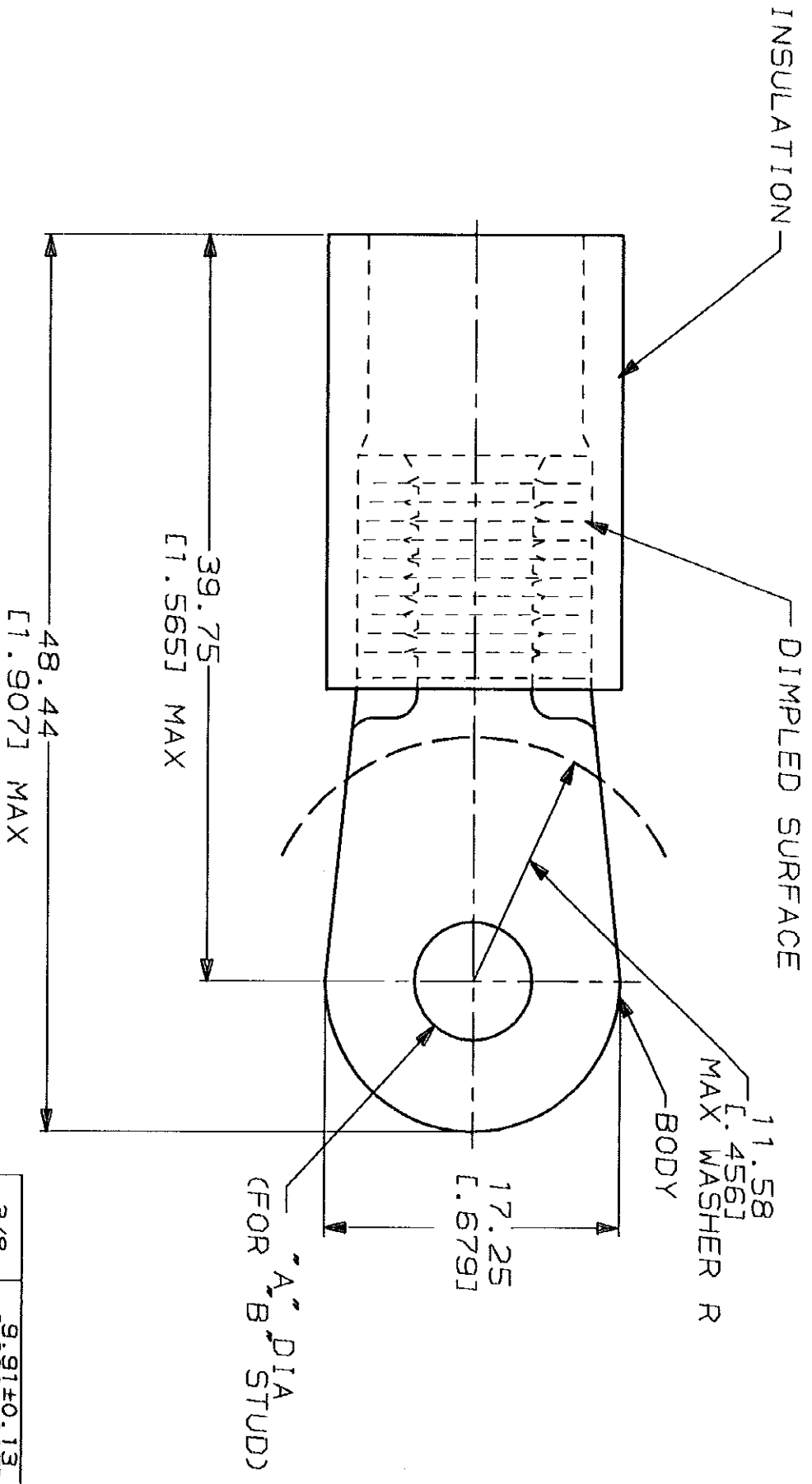
D EC 0720-0279-93

REVISIONS
 DESCRIPTION DATE APPD
 6-23-93 556 BB



METRIOR
 DIMENSIONS LISTED IN mm [INCHES]

1. TONGUE MATERIAL THK 2.31±0.08[.091±.004]
 FOR 11.25[.443] MAX WIRE INS DIA



**AMP INCORPORATED
 CUSTOMER SERVICE SYSTEMS**

FOR ADDITIONAL PRODUCT INFORMATION OR COPIES OF DRAWINGS AND TECHNICAL DOCUMENTS
 1-800-522-6752
 PRODUCT INFORMATION CENTER

FOR APPLICATION TOOLS ASSISTANCE CENTER
 1-800-722-1111

FOR ORDER ENTRY
 1-800-526-5142

MAX RECOMMENDED OPERATING TEMPERATURE:
 105°C

VOLTAGE RATING:
 -

CIRCULAR MIL AREA:
 16.8-26.7mm² [39,100-52,600] STRANDED

DO NOT SCALE PRINT. UNLESS SPECIFIED	DR 6-21-93	QTY	PACKAGE TYPE	PART NO
3/8	9.91±0.13	-	LOOSE PC	1-331421-1
5/16	8.33±0.13	-		1-331421-0

TIN PLATE PER MIL-T-10727 FINISH

MATERIAL: COPPER PER ASTM B-152 NYLON (MIL-M-20693) TYPE 1 COLOR: YELLOW

DR 6-21-93 S.S. SKULDEN
 CHK 6-21-93 R. HERSEY
 APPD 6-21-93 B. BARE

APPD 6-21-93 H. ELLIS
 PRODUCT SPEC

APPLICATION SPEC

AMP
 AMP Incorporated
 Harrisburg, PA 17105-3608

TERMINAL, RING TONGUE, TERMINYL WIRE SIZE: 4 HD AWG

SIZE: B
 CAGE CODE: 00779
 DRAWING NO: G-331421

SCALE: NTS
 SHEET: 1 OF 1