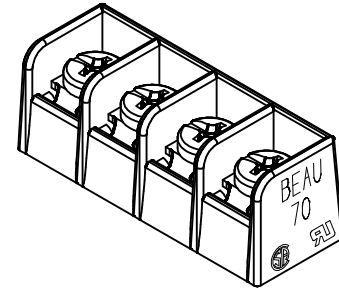
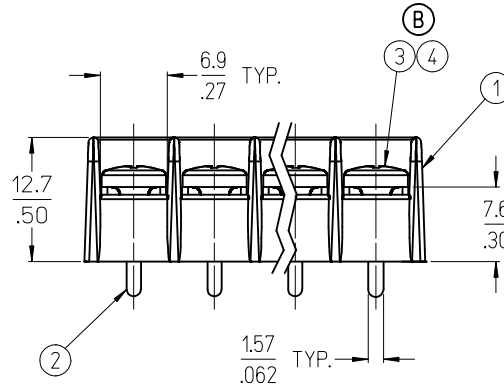
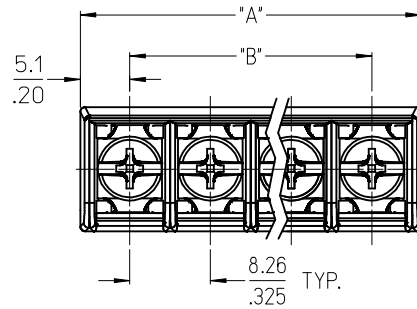
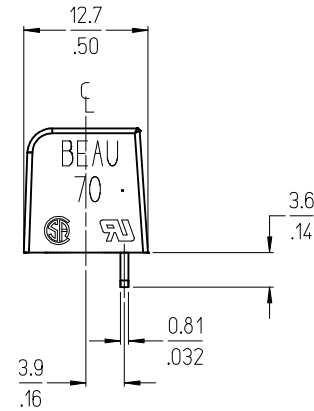


REF. -50 OPT. SCREW  
(WHERE APPLICABLE)



4 CIRCUIT SHOWN



NOTES:

1. MATERIAL: SEE TABLE
2. FINISHES: SEE TABLE
3. "XX" REFERS TO THE QUANTITY OF CIRCUITS
4. ROHS COMPLIANT

|      |      |   |                 |                    |
|------|------|---|-----------------|--------------------|
| 5    | XX   | SCREW&WASHER, #6-32X.25, PAN, PH/SL (-50 OPT) | STEEL           | ZN, CLEAR CHROMATE |
| 4    | XX   | SCREW, #6-32X.25, PAN, PH/SL (-49 OPT)        | BRASS           | NICKEL PLATE       |
| 3    | XX   | SCREW, #6-32X.25, PAN, PH/SL (STD.)           | STEEL           | ZN, CLEAR CHROMATE |
| 2    | XX   | TERMINAL, PC                                  | BRASS           | TIN PLATE          |
| 1    | 1    | INSULATOR, SR BTS PC CS 2 MO C                | POLYESTER (PBT) | BLACK              |
| ITEM | QTY. | DESCRIPTION                                   | MATERIAL        | FINISH             |

ADD STD AND -49 OPT  
 EC NO: MNA2009-0702  
 /DRWN: JENC INAS 2009/05/26  
 CHKD: CYORK 2009/05/27  
 APPR: JIMACNEIL 2009/05/27

QUALITY SYMBOLS  
 ▽=0  
 ▽=0

GENERAL TOLERANCES (UNLESS SPECIFIED)

|          |        |         |
|----------|--------|---------|
|          | mm     | INCH    |
| 4 PLACES | ± .005 | ± .0005 |
| 3 PLACES | ± .013 | ± .001  |
| 2 PLACES | ± 0.3  | ± .012  |
| 1 PLACE  | ± 0.3  | ± .012  |

ANGULAR ± 2 °

DRAFT WHERE APPLICABLE  
 MUST REMAIN WITHIN DIMENSIONS

DIMENSION STYLE  
 MM/IN

DRAWN BY DATE  
 R. KEMP 2003/05/16

CHECKED BY DATE  
 P. WALTZ 2003/05/22

APPROVED BY DATE  
 P. WALTZ 2003/05/22

MATERIAL NO.

SCALE  
 2:1

DESIGN UNITS  
 INCH

THIRD ANGLE PROJECTION

TITLE  
 8.26MM [.325] SR BTS, CS PC, NO MTG. ENDS

MOLEX INCORPORATED

DOCUMENT NO.  
 SD-38704-001

SHEET NO.  
 1 OF 2

10 9 8 7 6 5 4 3 2 1

| NO. OF CIRCUITS | DIM. "A" |      | DIM. "B" |       | ASSEMBLY MATERIAL NO. (STANDARD) | ASSEMBLY MATERIAL NO. (-49 OPT) | ASSEMBLY MATERIAL NO. (-50 OPT) |
|-----------------|----------|------|----------|-------|----------------------------------|---------------------------------|---------------------------------|
|                 | mm       | in   | mm       | in    |                                  |                                 |                                 |
| 02              | 18.5     | 0.73 | 8.26     | .325  | 387044102                        | 387044502                       | 387044902                       |
| 03              | 26.8     | 1.06 | 16.51    | .650  | 387044103                        | 387044503                       | 387044903                       |
| 04              | 35.1     | 1.38 | 24.77    | .975  | 387044104                        | 387044504                       | 387044904                       |
| 05              | 43.3     | 1.70 | 33.02    | 1.300 | 387044105                        | 387044505                       | 387044905                       |
| 06              | 51.5     | 2.03 | 41.28    | 1.625 | 387044106                        | 387044506                       | 387044906                       |
| 07              | 59.8     | 2.35 | 49.53    | 1.950 | 387044107                        | 387044507                       | 387044907                       |
| 08              | 68.0     | 2.68 | 57.79    | 2.275 | 387044108                        | 387044508                       | 387044908                       |
| 09              | 76.3     | 3.00 | 66.04    | 2.600 | 387044109                        | 387044509                       | 387044909                       |
| 10              | 84.6     | 3.33 | 74.30    | 2.925 | 387044110                        | 387044510                       | 387044910                       |
| 11              | 92.8     | 3.65 | 82.55    | 3.250 | 387044111                        | 387044511                       | 387044911                       |
| 12              | 101.1    | 3.98 | 90.81    | 3.575 | 387044112                        | 387044512                       | 387044912                       |
| 13              | 109.3    | 4.30 | 99.06    | 3.900 | 387044113                        | 387044513                       | 387044913                       |
| 14              | 117.6    | 4.63 | 107.32   | 4.225 | 387044114                        | 387044514                       | 387044914                       |
| 15              | 125.8    | 4.95 | 115.57   | 4.550 | 387044115                        | 387044515                       | 387044915                       |
| 16              | 134.1    | 5.28 | 123.83   | 4.875 | 387044116                        | 387044516                       | 387044916                       |

|  |                     |  |                  |   |              |  |
|--|---------------------|--|------------------|---|--------------|--|
| SEE SHEET ONE<br>EC NO: WNA2009-0702<br>DRAWN: JENC INAS 2009/05/26<br>CHKD: CYORK 2009/05/27<br>APPR: JMACNEIL 2009/05/27 | QUALITY SYMBOLS     | GENERAL TOLERANCES (UNLESS SPECIFIED)                | DIMENSION STYLE  | SCALE   | DESIGN UNITS | THIRD ANGLE PROJECTION                       |
|  | ▼=0<br>▽=0          | mm   | MM/IN            | 1:1   | INCH         | 8.26MM [.325] SR BTS, CS<br>PC, NO MTG. ENDS |
|  |                     | 4 PLACES ± --- ± ---                                 | DRAWN BY DATE    | R. KEMP 2003/05/16<br>CHECKED BY DATE<br>P. WALTZ 2003/05/22  |              |  |
|  |                     | 3 PLACES ± --- ± .005                                | APPROVED BY DATE |   |              |  |
| 2 PLACES ± 0.13 ± .01  | P. WALTZ 2003/05/22 | MATERIAL NO. SEE CHART<br>DOCUMENT NO. SD-38704-001  |                  | SHEET NO. 2 OF 2  |              |  |
| 1 PLACE ± 0.3 ± ---  | ANGULAR ± 2 °       | DRAFT WHERE APPLICABLE MUST REMAIN WITHIN DIMENSIONS |                  | THIS DRAWING CONTAINS INFORMATION THAT IS PROPRIETARY TO MOLEX INCORPORATED AND SHOULD NOT BE USED WITHOUT WRITTEN PERMISSION |              |  |

9 8 7 6 5 4 3 2 1