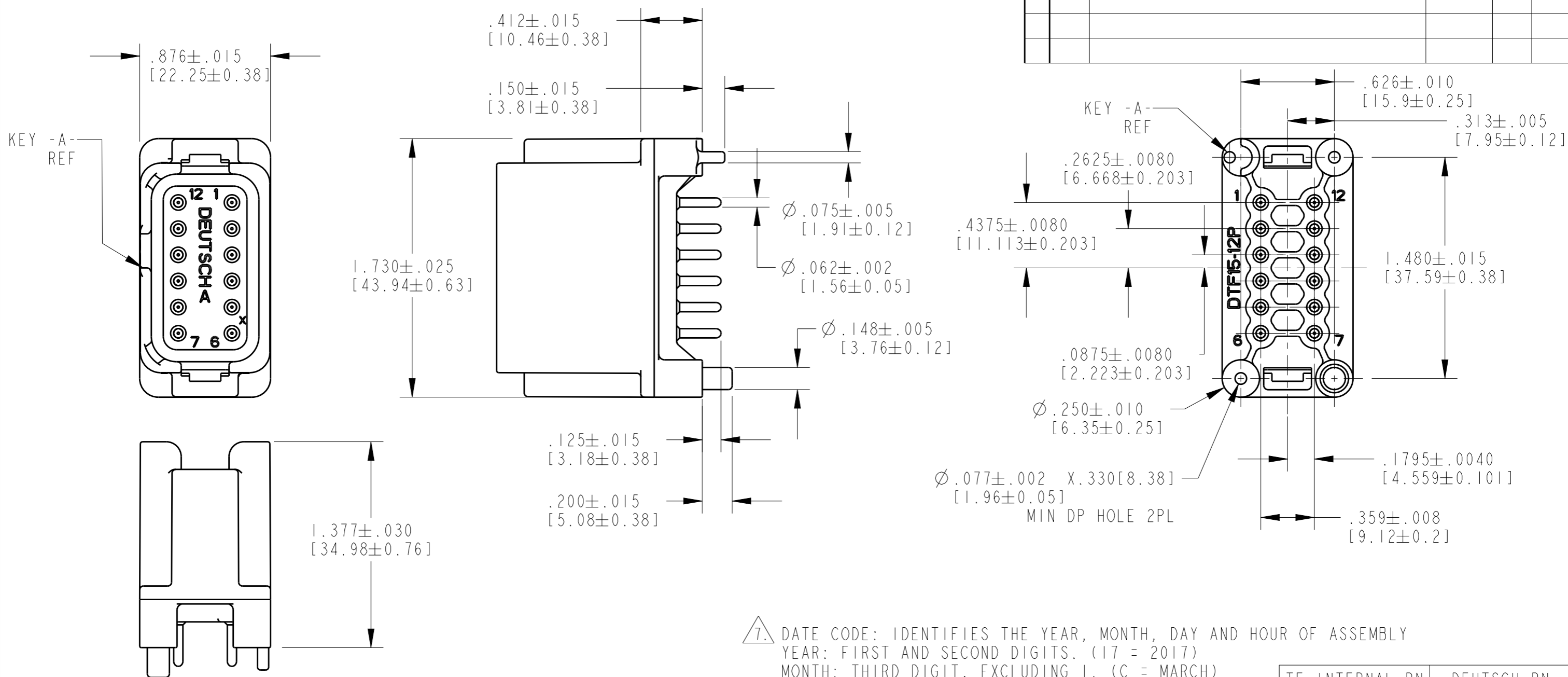


REVISIONS					
P	LTR	DESCRIPTION	DATE	DWN	APVD
	A	REVISED PER PCN E-17-005334	18MAR2017	CM	DM



5. RECOMMENDED SCREW: 2-28 [M2.26 X 0.91] PLASTITE 48, SINGLE HELIX TORQUE: 0.75-1.5 IN-LB [0.08-0.16 N-m].

4. THE RECEPTACLE MATES WITH DT06-12SX-XXXX PLUG (X=A,B,C,D KEYS; XXXX=ALL MODIFICATIONS)

3. PIN PLATING:
 MATING SIDE: NICKEL
 PCB SIDE: TIN (ROHS)

2. MATERIAL:
 RECEPTACLE: PA46 GF30
 PIN: COPPER ALLOY

1. DIMENSIONAL TOLERANCES: $\pm .025$ [.64]

NOTES:

7. DATE CODE: IDENTIFIES THE YEAR, MONTH, DAY AND HOUR OF ASSEMBLY
 YEAR: FIRST AND SECOND DIGITS. (17 = 2017)
 MONTH: THIRD DIGIT, EXCLUDING 1. (C = MARCH)
 DAY: FOURTH AND FIFTH DIGITS (21 = 21ST DAY)
 HOUR: SIXTH AND SEVENTH DIGITS. (16 = 4-5PM)

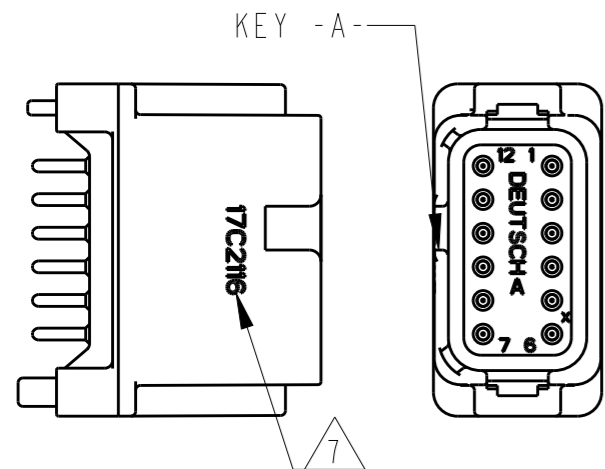
6. RECEPTACLE TO BE POTTED IN PLACE.
 POTTING DEPTH TO BE .600 [15.24] MAX FOR PCB.

TE INTERNAL PN	DEUTSCH PN
DTF15-12PA	DTF15-12PA
DTF15-12PB	DTF15-12PB
DTF15-12PC	DTF15-12PC
DTF15-12PD	DTF15-12PD

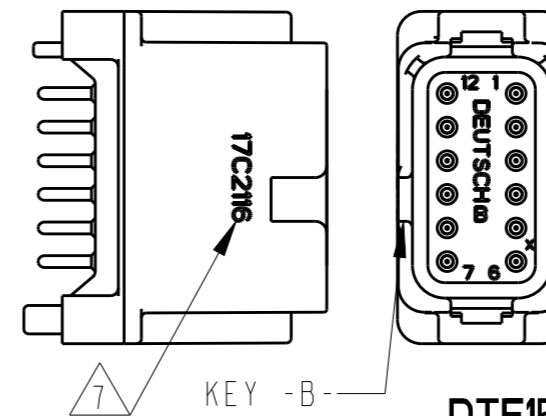
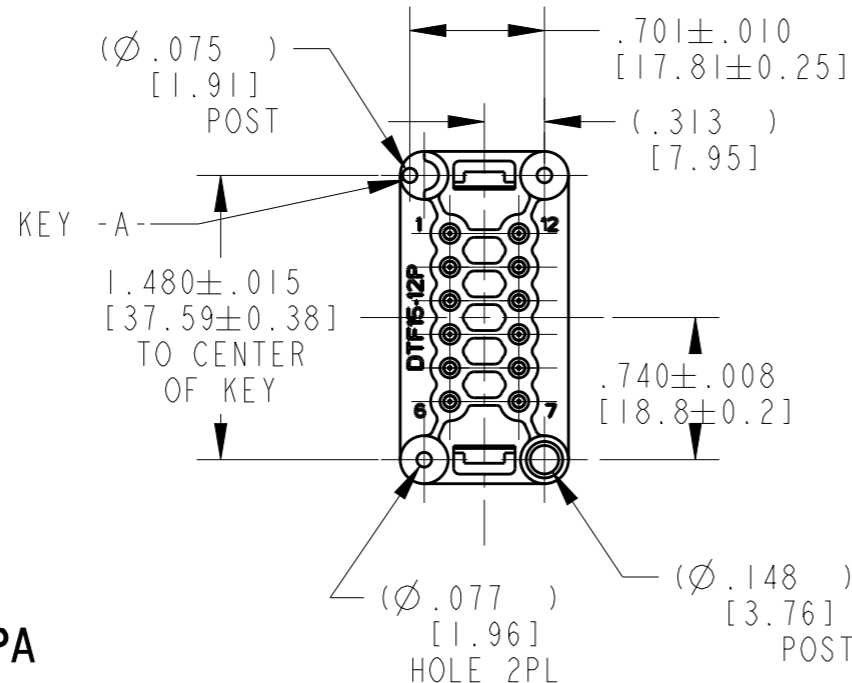
THIS DRAWING IS A CONTROLLED DOCUMENT.		DWN M. GONZALEZ			
DIMENSIONS: INCHES [mm]		CHK -	NAME 12 WAY RECEPTACLE 16 SIZE PINS DTF SERIES		
TOLERANCES UNLESS OTHERWISE SPECIFIED: 0 PLC ± 1 PLC ± 2 PLC ± 3 PLC ± 4 PLC ± ANGLES ±0° 30' 0"		APVD -	PRODUCT SPEC -		
MATERIAL		APPLICATION SPEC -	SIZE A3	CAGE CODE 4AFU8	DRAWING NO DTF15-12PX
FINISH		WEIGHT -	RESTRICTED TO -		
2		CUSTOMER DRAWING		SCALE 1.5:1	SHEET 1 OF 2
3		REV A			

REVISIONS

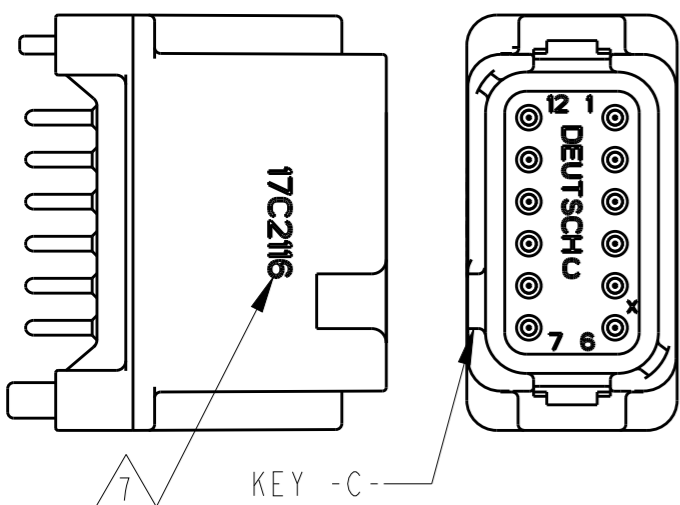
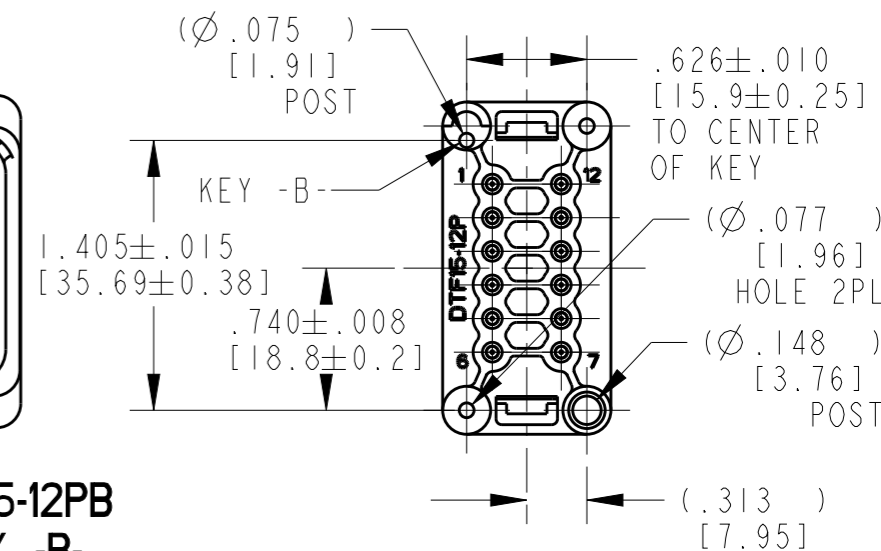
P	LTR	DESCRIPTION	DATE	DWN	APVD
-	-	SEE SHEET 1	-	-	-



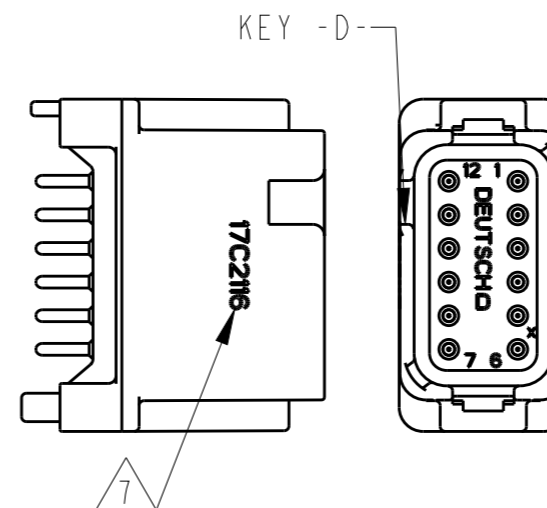
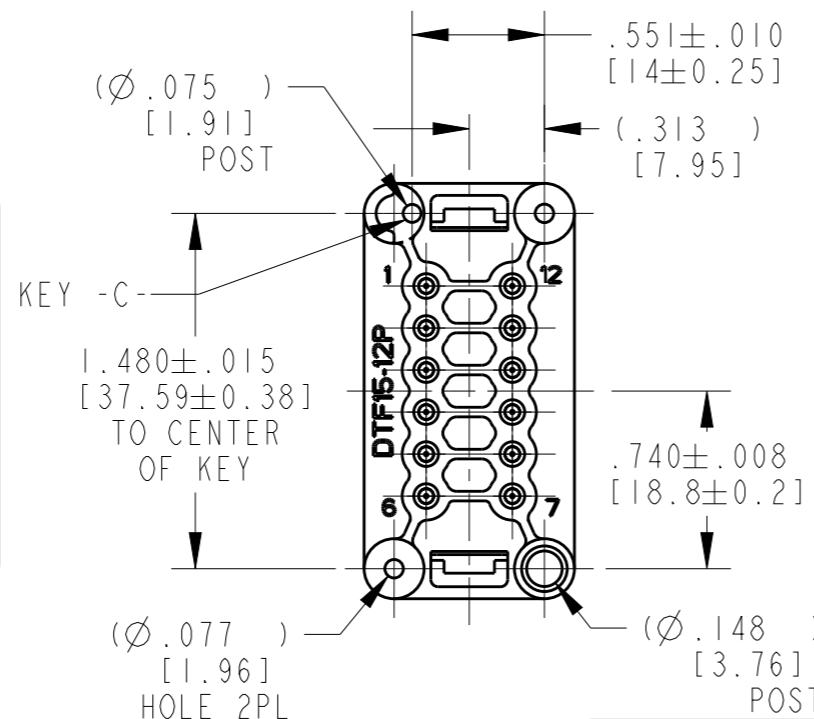
DTF15-12PA
KEY -A-
COLOR: GRAY



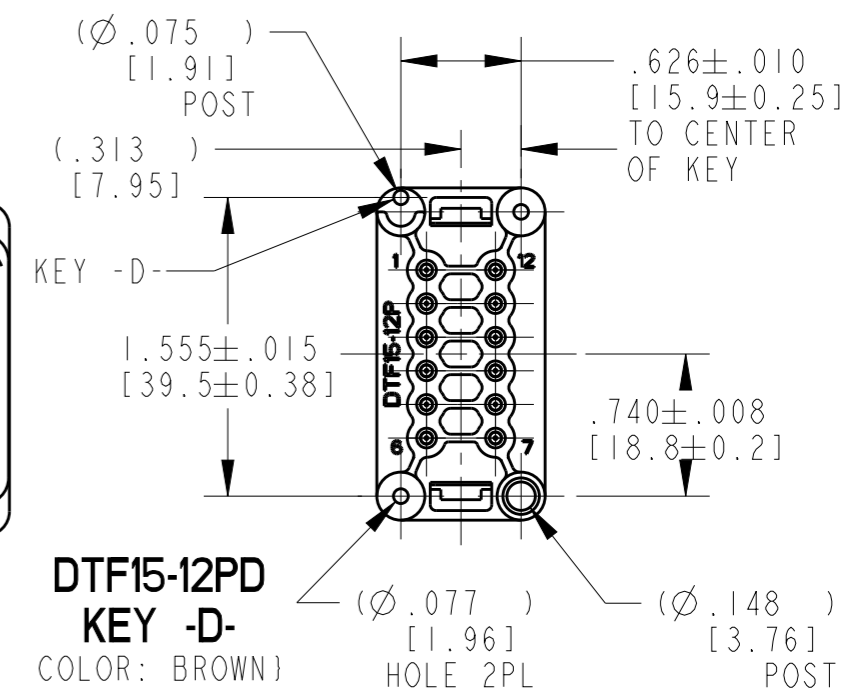
DTF15-12PB
KEY -B-
COLOR: BLACK



DTF15-12PC
KEY -C-
COLOR: GREEN



DTF15-12PD
KEY -D-
COLOR: BROWN



THIS DRAWING IS A CONTROLLED DOCUMENT.

DWN M. GONZALEZ 12MAR2002

CHK -

APVD -

PRODUCT SPEC -

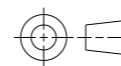
APPLICATION SPEC -

WEIGHT -

CUSTOMER DRAWING

DIMENSIONS: INCHES [mm]

TOLERANCES UNLESS OTHERWISE SPECIFIED:



0 PLC	±
1 PLC	±
2 PLC	±
3 PLC	±.025 [0.64]
4 PLC	±
ANGLES	±0° 30' 0"

MATERIAL -

FINISH -



NAME
12 WAY RECEPTACLE 16 SIZE PINS
DTF SERIES

SIZE CAGE CODE DRAWING NO RESTRICTED TO

A3 4AFU8 C=DTF15-12PX

SCALE 1:1 SHEET 2 OF 2 REV A