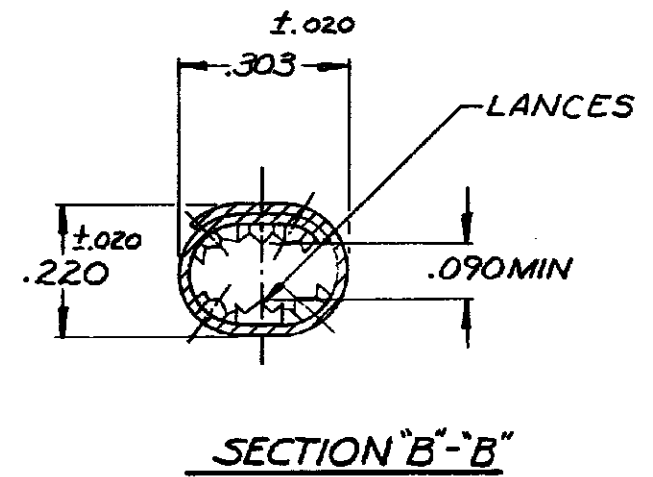
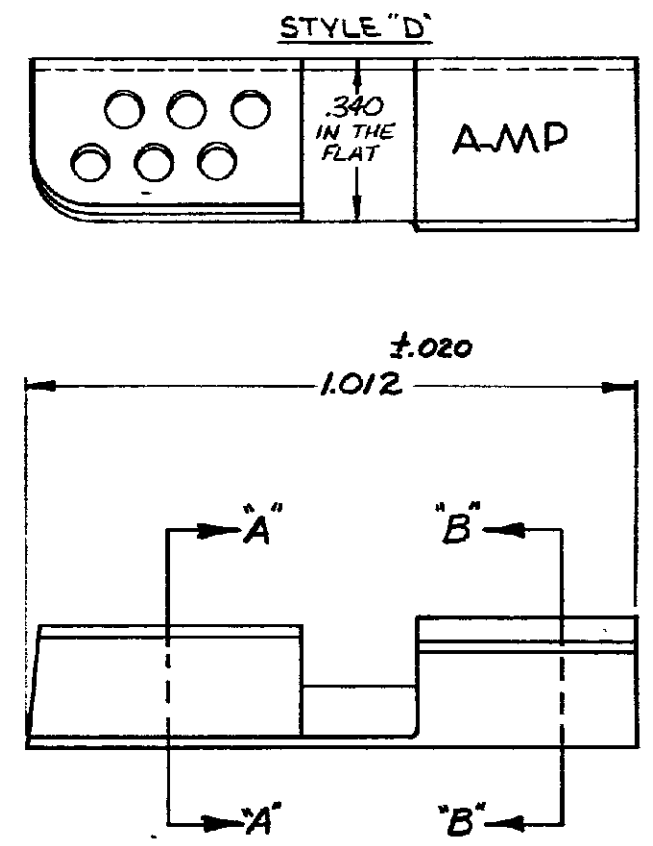
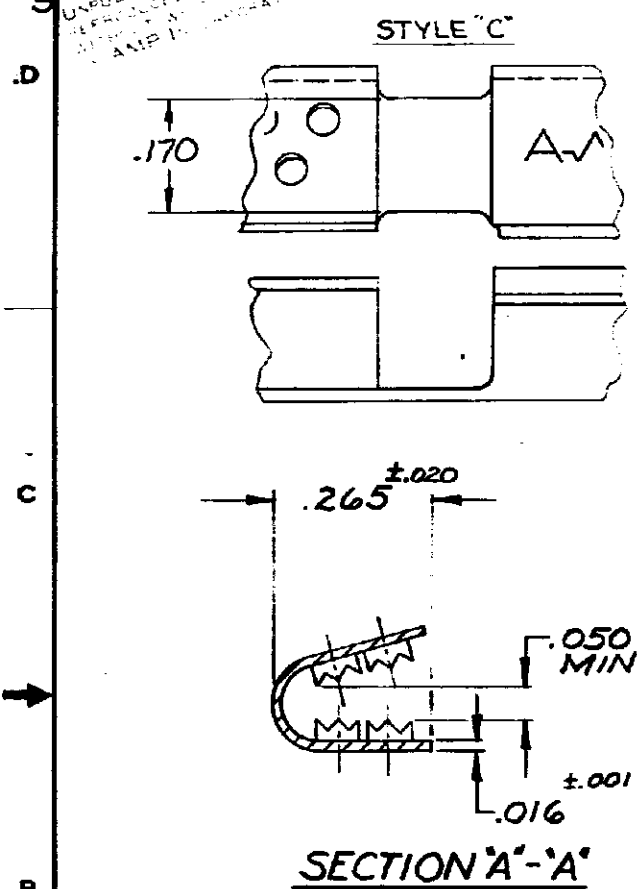


DRAWING MADE IN AMERICAN PROJECTION

© 1965 BY AMP INCORPORATED. ALL RIGHTS RESERVED. AMP PRODUCTS COVERED BY PATENTS AND/OR PATENTS PENDING.

REVISIONS				
ZONE	LTR	DESCRIPTION	DATE	APPROVED
	B	NPS 73-0008	7-2-73	<i>[Signature]</i>
	C	REVISED PER ECN P-7615	11/20/75	2-11-26-75



PART NO.	STYLE
1-332006-2	"D"
1-332006-0	"C"

UNLESS OTHERWISE SPECIFIED DIMENSIONS ARE IN INCHES:
 TOLERANCES ON:
 DECIMALS ±.008
 ANGLES ±5°

MATERIAL
 COPPER
 (QQ-C-576)
 TIN PLATE
 (MIL-T-10727)
 .0001 MIN THK.

CONTRACT NO. #

DR. *Shawn Podes* 7-2-73

CHK. *[Signature]* 7-2-73

APPD. *Abel* 7-2-73

REL. *[Signature]* 7-9-72

DSGN APPD

OTHER APPD

AMP AMP INCORPORATED
 HARRISBURG, PENNSYLVANIA

NAME **TERMI-FOIL BOND CLIP**
 CMA = 6925

SIZE B	CODE IDENT NO. 00779	NUMBER 332006
SCALE 4:1	SHEET 1 OF 1	