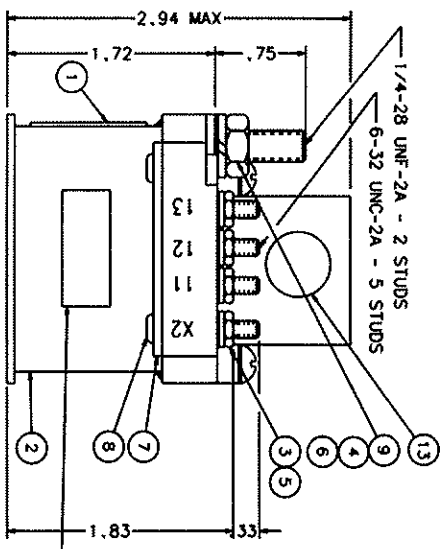
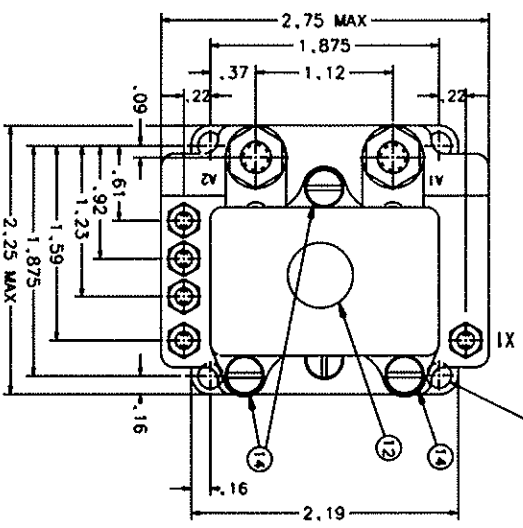


FAA-PMA

.203 DIA HOLE
4 MTG HOLES
SEE NOTE 5



CONSTRUCTION

MAIN CONTACTS

CONFIGURATION
VOLTAGE (NOM.)

CURRENT RES.

AUXILIARY CONTACTS

CONFIGURATION
VOLTAGE
CURRENT RES.

COIL DATA

MAX OPERATE
MIN OPERATE
PICKUP AT 25°C
DROPOUT
RES AT 25°C
DUTY CYCLE

ENVIRONMENTAL DATA

AMBIENT TEMP
VIBRATION
LIFE ELECTRICAL
LIFE MECHANICAL
WEIGHT MAX (EST)

GASKET SEALED, SILASTIC SEALED

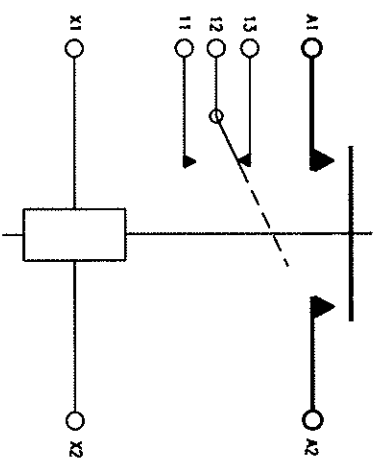
SPST N.O.

28 VDC
100 AMP

SPDT
28 VDC
5 A

32 VDC
24 VDC
16.5 V MAX.
1 TO 7 VDC
70 OHM ±20%
CONTINUOUS

-55°C TO +71°C
10G'S 55-1000
50,000 CYCLES MIN
100,000 CYCLES MIN
1 LB 8 OZ



REV	DESCRIPTION	DATE	APPROVED
K	31478 ADDED NOTE 4	96/11/13	RS
L	39029 QTY. OF ITEM 12 WAS 1. QTY. OF ITEM 13 WAS 4	99/03/19	RS
M	42105 FIND 11 WAS 39529-055. NOTE 5 ADDED	00/03/31	RS
N	42727 UPDATED VIEW OF COVER BRIDGE AND NOTE 3	00/06/22	CC
P	43913 RELOCATED 1.83 DIA TO TOP OF NUT	01/01/19	CC
R	6471-04 ITEM 1 WAS 41695-001. REMOVED ITEM 11	04/06/01	CC

- NOTES:
- THIS UNIT MEETS THE MATERIAL AND WORKMANSHIP REQUIREMENTS OF MIL-R-6106.
 - TERMINALS A1 AND A2 ARE STAINLESS STEEL. AUXILIARY AND COIL TERMINALS ARE BRASS. ALL TERMINALS AND TERMINAL HARDWARE ARE SILVER PLATED.
 - RELAY BODY CONSTRUCTED OF MAGNETIC IRON AND PAINTED WITH BLACK LAQUER. TERMINAL INSULATION MATERIAL AND COVER BRIDGE ARE MINERAL GLASS POLYESTER PER ASTM D5948.
 - FAA/PMA PLATE (AND OVERLAY) NOT REQUIRED ON UNITS SUPPLIED TO ORIGINAL EQUIPMENT MANUFACTURERS.
 - PAINT REMOVED FROM 2 OPPOSITE MTG HOLES, TOP & BOTTOM, FOR GROUNDING PURPOSES.

NO	QTY	IDENTIFYING NO	PART OR IDENTIFYING NO	NON-EXHAUSTIVE OR DESCRIPTION	DRAWING OR SPECIFICATION	MATERIAL OR NOTE
1	1			OVERLAY - FAA/PMA		
2	1			GLYPHOL		
3	2			BLACK VINYL MARKING #4072V		
4	2			BLACK VINYL MARKING #4112V		
5	1			PLATE - FAA/PMA		
6	2			WASHER 1/2x17/64x.032		BRASS
7	4			SCREW PAN HD No. 4 x 1/4	SHEET METAL	S.S.
8	2			PLATE - COVER		
9	2			WASHER LOCK 1/4 SPLIT		BRONZE
10	2			WASHER LOCK No. 6 SPLIT		BRONZE
11	2			NUT HEX 1/4-20x7/16x3/16		BRASS
12	2			NUT HEX 6-32x3/16x5/64		BRASS
13	1			CONTRACTOR ASSEMBLY-PRIMARY		
14	1			PLATE - NAME		

UNLESS OTHERWISE SPECIFIED DIMENSIONS ARE IN INCHES
10 EDWARDS DR

DR BY: CSC 01/02/13
CHK BY: CC 01/02/13
ENGR: JL 01/02/14
MFG: NH 01/02/15

SCALE: NONE SHEET

74063

REF TYCO P/N 0-1616055-3

Electronic
175 N. DIAMOND STREET WAINWRIGHT, OHIO 45992

CONTACTOR - S.P.S.T. N.O.
100 AMP, 28 VDC

093

A-1077DD