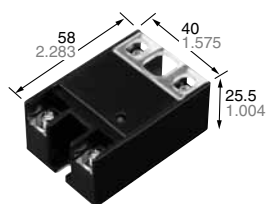




Small Screw Terminal SSR Ideal for DC Control	AQ-A (DC output type) Solid State Relays
--	---



mm inch

RoHS compliant

FEATURES

- 1. Compact Size**
W 40 × L 58 × H 25.5 mm
W 1.575 × L 2.283 × H 1.004 inch
- 2. With terminal cover for safety (output side only).**
* Cover on input side available as option.
- 3. Mounting pitch 47.5 mm 1.870 inch**
- 4. Internal diode protects element on output side**
- 5. With LED indication for operation status verification**

TYPICAL APPLICATIONS

- Photovoltaic power generation system
- Storage battery system
- For control of all types of business equipment and industrial use DC heaters/motors, etc.

ORDERING INFORMATION

AQAD

Output current
1: 10 A
5: 30 A

Load voltage, Type
5: 100 V DC, Screw terminal
7: 600 V DC, Screw terminal

Control voltage
1: 4 to 32 V DC

Functions
DL: Internal diode and LED indication

* When the load voltage is AC type, please refer to "AQ-A RELAYS (AC only)".

TYPES

1. AQ-A Solid State Relays (DC only)

Type	Load current	Load voltage	Control voltage	Part No.
DC output	30 A	100 V DC	4 to 32 V DC	AQAD551DL
	10 A	600 V DC		AQAD171DL

Standard Packing; carton: 2 pcs., case: 60 pcs.

2. Accessories

Type	Part No.
Standard heat sink	AQP-HS-J25A
Slim heat sink (45 mm 1.772inch wide) (Mountable on a DIN rail)	AQP-HS-SJ20A
DIN rail mounting plate	AQP-DPJ
Terminal cover	AQA801
Mounting rail	AT8-DLA1
Fastening plate	AT8-DLE

AQ-A (DC only) Solid State Relays

RATING

1. Ratings (Measurement condition: at 20°C 68°F, Input ripple: 1% or less)

Item		Part No.	AQAD551DL	AQAD171DL	Remarks
Input side	Control voltage		4 to 32 V DC		
	Input current		Max. 20 mA		
	Drop-out voltage		Min. 1 V		
Output side	Max. load current (DC)		30 A	10 A	
	Peak load current		90 A (V _L = 60 V DC)	20 A (V _L = 600 V DC)	100 ms (1 shot)
	Max. load voltage (DC)		100 V	600 V	
	"OFF-state" leakage current		Max. 100 μA		V _L = Max.
	"ON" resistance		Max. 20 mΩ	Max. 200 mΩ	at Max. carrying current
	Max. power dissipation		20 W		

2. Characteristics (Measurement condition: at 20°C 68°F, Input ripple: 1% or less)

Item		Part No.	AQAD551DL	AQAD171DL	Condition
Operate time			Max. 10 ms	Max. 5 ms	V _{IN} = 4 V, I _L = 1 A, V _L = 10 V Resistance load
Release time			Max. 3 ms	Max. 1 ms	V _{IN} = 4 V, I _L = 1 A, V _L = 10 V Resistance load
Insulation resistance			100 MΩ between input and output		at 500 V DC
Breakdown voltage			4,000 Vrms between input and output 2,500 Vrms between input, output and case		for 1 minute
Vibration resistance			10 to 55 Hz double amplitude of 1.5 mm .059 inch		X, Y, Z axes
Shock resistance			Min. 980 m/s ²		X, Y, Z axes
Ambient temperature	Operating		-20 to +80°C -4 to +176°F		(Non-icing at low temperatures)
	Storage		-20 to +85°C -4 to +185°F		(Non-icing at low temperatures)
Max. operating frequency			0.5 cps		V _{IN} = 4 V, duty = 50%, I _L = Max., V _L = Max.

Note: V_{IN} is input voltage, I_L is load current, and V_L is load voltage.

REFERENCE DATA

1. Load current vs. ambient temperature characteristics
Use load current within range specified in the figure below.

Tested condition

With external heat sink

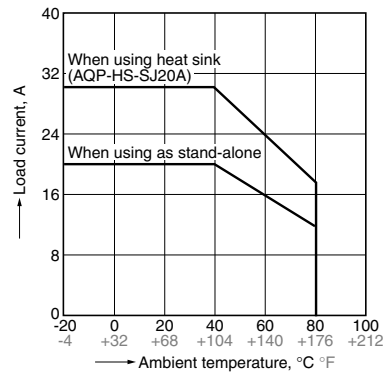
When using heat sink (AQP-HS-J25A) or (AQP-HS-SJ20A)

1) If attached to a heat sink, use a heat conductive compound (Ex. Momentive Performance Materials Inc. YG6111 or TSK5303) of similar coating to improve cooling.

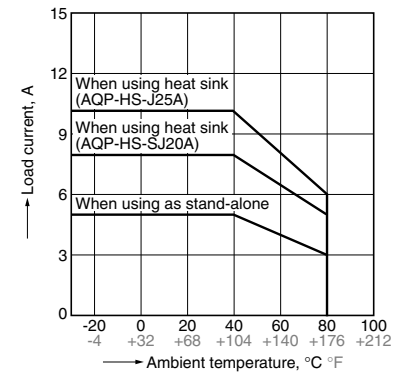
Without external heat sink

If the mounting surface is not metallic and a heat sink is not used, expose the bottom surface and plate surface to improve heat dissipation.

(1) 30 A type (AQAD551DL)



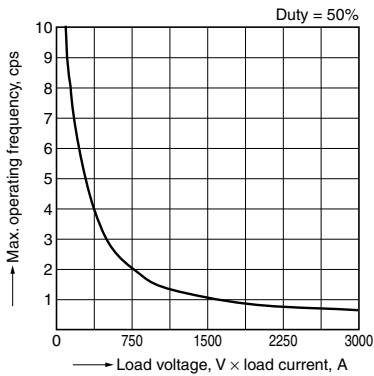
(2) 10 A type (AQAD171DL)



2. Max. operating frequency vs. load voltage × load current characteristics

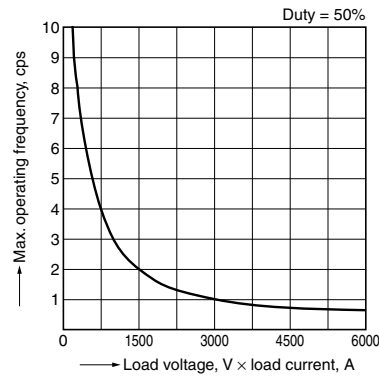
(1) 30 A type (AQAD551DL)

Ambient temperature: 20°C 68°F

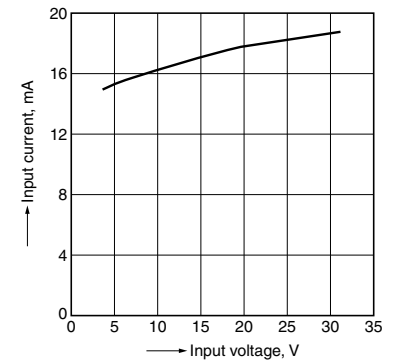


(2) 10 A type (AQAD171DL)

Ambient temperature: 20°C 68°F



3. Input current vs. input voltage characteristics



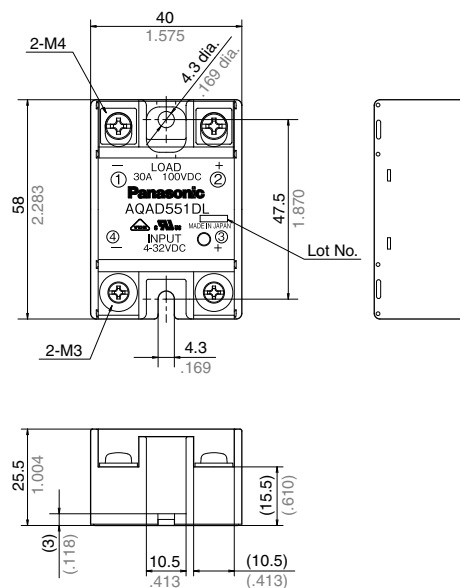
DIMENSIONS (mm inch)

CAD

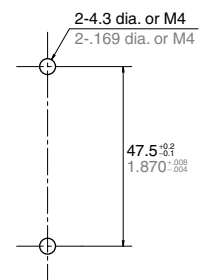


The CAD data of the products with a **CAD** mark can be downloaded from: <https://industrial.panasonic.com/ac/e/>

External dimensions



Mounting dimensions



General tolerance: $\pm 1.0 \pm .039$

AQ-A (DC only) Solid State Relays

ACCESSORIES (mm inch)

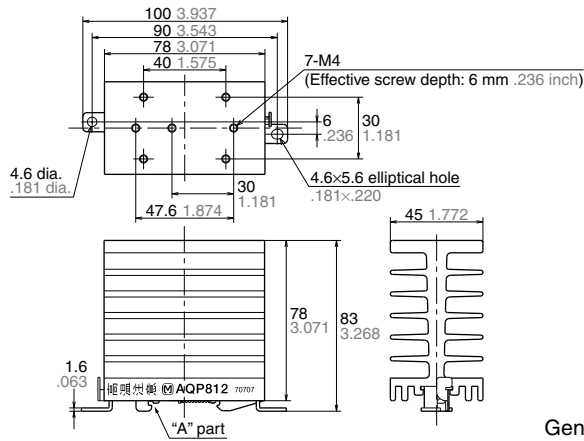
The CAD data of the products with a **CAD** mark can be downloaded from: <https://industrial.panasonic.com/ac/e/>

AQP-HS-SJ20A Slim Heat Sink

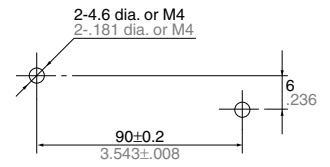
CAD



External dimensions



Mounting dimensions



General tolerance: $\pm 1.0 \pm .039$

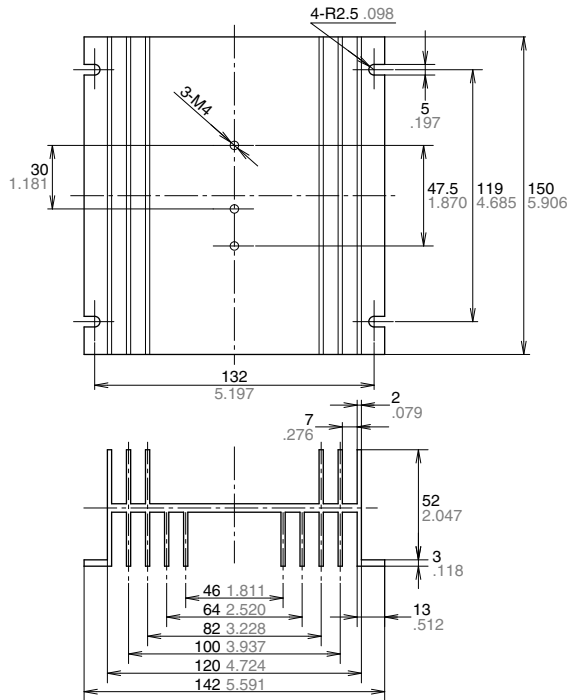
Note: When using on a DIN rail, please install so that the "A" part is on top.

AQP-HS-J25A Standard Heat Sink

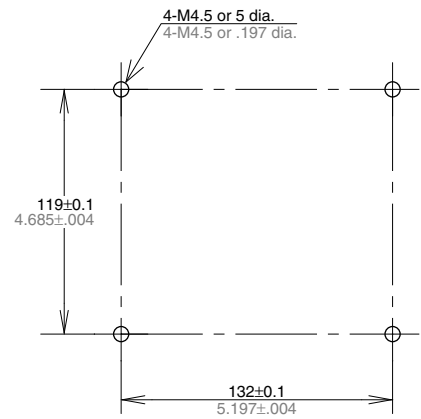
CAD



External dimensions



Mounting dimensions

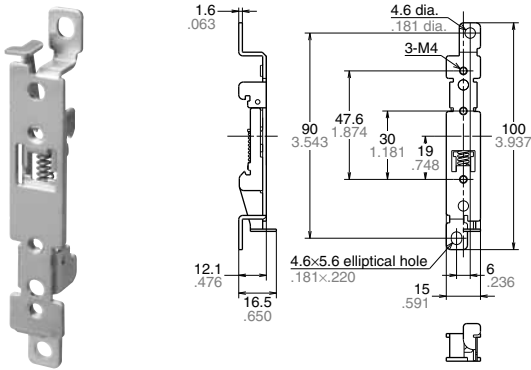


General tolerance: $\pm 1.0 \pm .039$

AQP-DPJ DIN Rail Mounting Plate

CAD

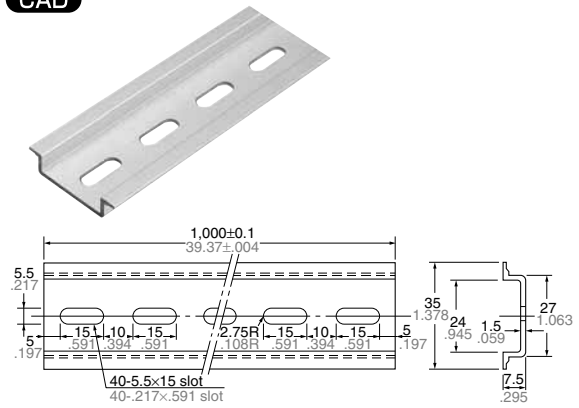
External dimensions



General tolerance: $\pm 1.0 \pm .039$

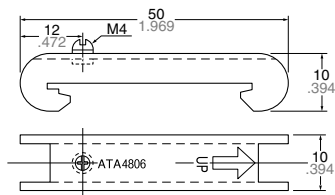
AT8-DLA1 Mounting Rail

CAD



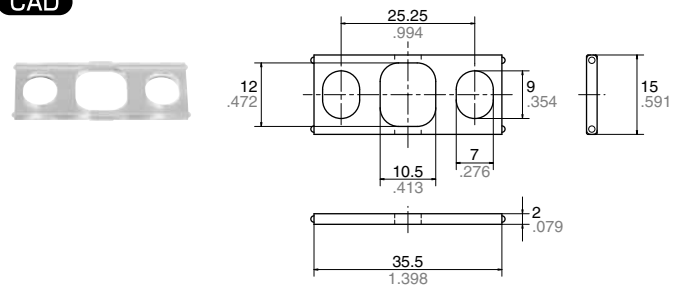
AT8-DLE Fastening plate

CAD



AQA801 Terminal cover

CAD



Use this product as a protective terminal cover for AQ-A/SSR. It can be used for either the input or output side.

General tolerance: $\pm 1.0 \pm .039$

SCHEMATIC AND WIRING DIAGRAMS

Schematic	Output configuration	Load	Wiring diagram
	1 Form A	DC	

Please contact

Panasonic Corporation

Electromechanical Control Business Division

■ 1006, Oaza Kadoma, Kadoma-shi, Osaka 571-8506, Japan
industrial.panasonic.com/ac/e/

Panasonic[®]

©Panasonic Corporation 2018

Mouser Electronics

Authorized Distributor

Click to View Pricing, Inventory, Delivery & Lifecycle Information:

Panasonic:

[AQAD551DL](#) [AQAD171DL](#)