



**3 GHz BNC FAILSAFE S.P.D.T. SWITCH**

OPTIONS: /SUPP.DIODES

**R F CHARACTERISTICS**

FREQUENCY RANGE : 0 - 3 GHz  
 IMPEDANCE : 50 Ohms

|                 |         |         |         |
|-----------------|---------|---------|---------|
| FREQUENCY (GHz) | 0 - 1   | 1 - 2   | 2 - 3   |
| V.S.W.R <=      | 1.15    | 1.20    | 1.25    |
| INSERT. LOSS <= | 0.15 dB | 0.20 dB | 0.25 dB |
| ISOLATION >=    | 85 dB   | 80 dB   | 75 dB   |
| AVER. POWER (*) | 400 W   | 300 W   | 240 W   |

**ELECTRICAL CHARACTERISTICS**

ACTUATOR : FAILSAFE  
 NOMINAL CURRENT AT 25° C (±10%) : 310 mA  
 ACTUATOR VOLTAGE (Vcc) : 12V (10.2 to 13V)  
 TERMINALS : solder pins (250 Deg.C max./30 sec)

**MECHANICAL CHARACTERISTICS**

CONNECTORS : BNC fem. per MIL C 39012  
 LIFE : 1.000.000 cycles  
 SWITCHING TIME (nominal voltage;25° C) : < 15 ms  
 CONSTRUCTION : splashproof  
 WEIGHT : < 185 g

**ENVIRONMENTAL CHARACTERISTICS**

OPERATING TEMPERATURE RANGE (°C) : -40 , +85  
 STORAGE TEMPERATURE RANGE (°C) : -55 , +85

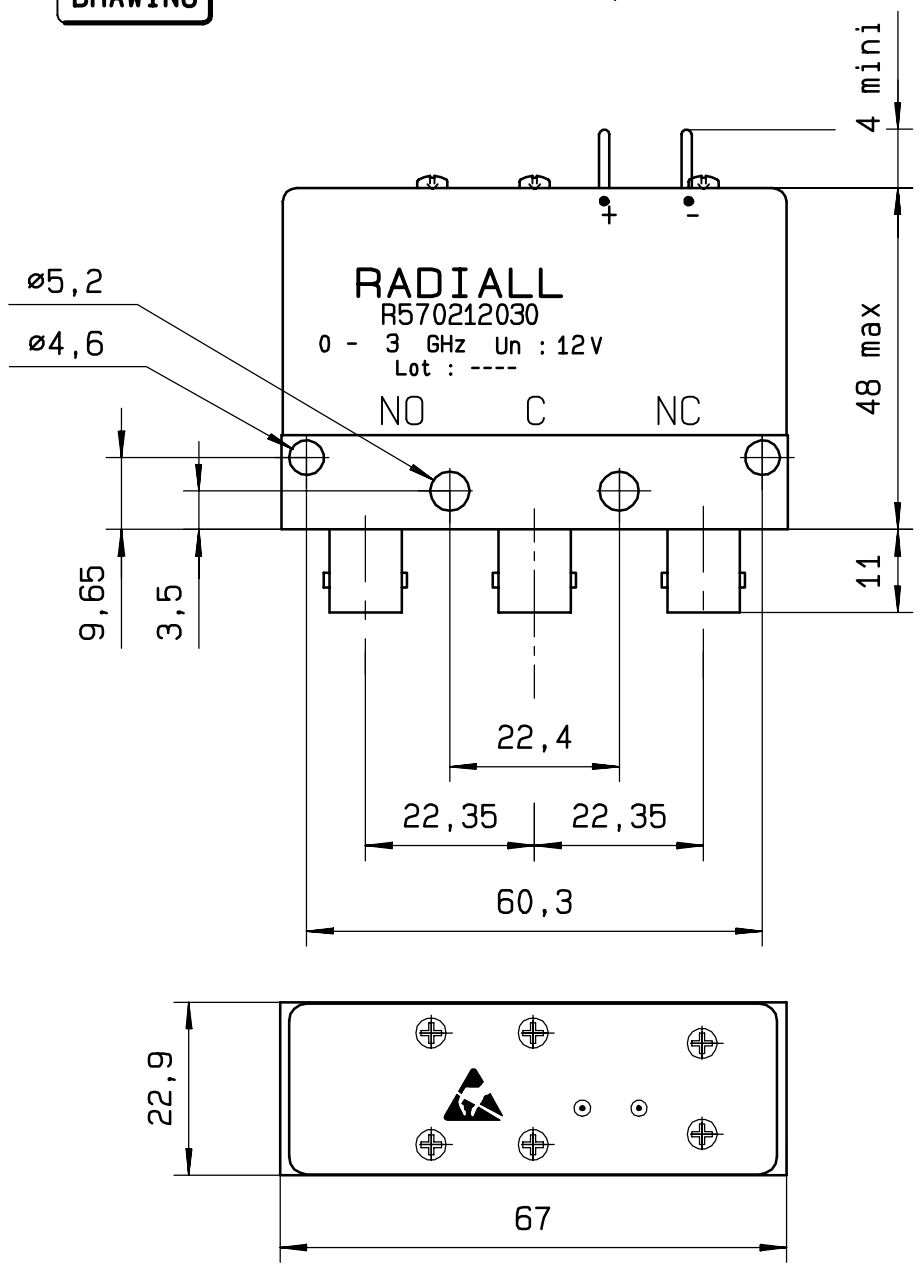
(\* : average power at 25° C)

This information is given as an indication. In the continual goal to improve our products, we reserve the right to make any modifications judged necessary

4112-9212

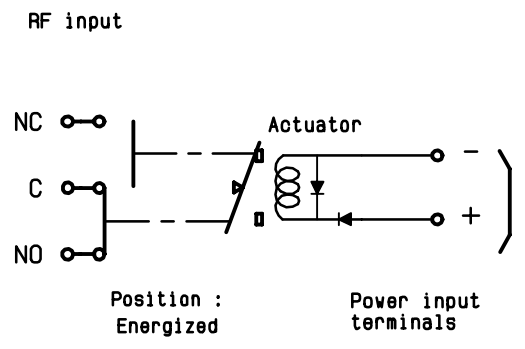
**DRAWING**

General tolerance: \* 0,5 mm



**SCHEMATIC DIAGRAM**

|              |               |
|--------------|---------------|
| Voltage      | RF continuity |
| De-energized | C ↔ NC        |
| energized    | C ↔ NO        |



4113-9212 This information is given as an indication. In the continual goal to improve our products, we reserve the right to make any modifications judged necessary