

# MC56F823XX

## MC56F823xx

Supports MC56F82323VFM,  
MC56F82316VLF, MC56F82313VLC

### Features

- This family of digital signal controllers (DSCs) is based on the 32-bit 56800EX core. On a single chip, each device combines the processing power of a DSP and the functionality of an MCU, with a flexible set of peripherals to support many target applications:
  - Industrial control
  - Home appliances
  - Smart sensors
  - Wireless charging
  - Power distribution systems
  - Motor control (ACIM, BLDC, PMSM, SR, stepper)
  - Photovoltaic systems
  - Circuit breaker
  - Medical device/equipment
  - Instrumentation
- DSC based on 32-bit 56800EX core
  - Up to 50 MIPS at 50 MHz core frequency
  - DSP and MCU functionality in a unified, C-efficient architecture
- On-chip memory
  - Up to 32 KB flash memory
  - Up to 6 KB data/program RAM
  - On-chip flash memory and RAM can be mapped into both program and data memory spaces
- Analog
  - Two high-speed, 5-channel, 12-bit ADCs with dynamic x1, x2, and x4 programmable amplifier
  - Three analog comparators with integrated 6-bit DAC references
  - Up to two 12-bit digital-to-analog converters (DAC)
- One FlexPWM module with up to 6 PWM outputs
- Communication interfaces
  - Up to two high-speed queued SCI (QSCI) modules with LIN slave functionality
  - One queued SPI (QSPI) module
  - One I2C/SMBus port
- Timers
  - One 16-bit quad timer (1 x 4 16-bit timer)
  - Two Periodic Interval Timers (PITs)
- Security and integrity
  - Cyclic Redundancy Check (CRC) generator
  - Windowed Computer operating properly (COP) watchdog
  - External Watchdog Monitor (EWM)
- Clocks
  - Two on-chip relaxation oscillators: 8 MHz (400 kHz at standby mode) and 200 kHz
  - Crystal / resonator oscillator
- System
  - DMA controller
  - Integrated power-on reset (POR) and low-voltage interrupt (LVI) and brown-out reset module
  - Inter-module crossbar connection
  - JTAG/enhanced on-chip emulation (EOnCE) for unobtrusive, real-time debugging
- Operating characteristics
  - Single supply: 3.0 V to 3.6 V
  - 5 V-tolerant I/O (except for RESETB pin which is a 3.3 V pin only)
  - Operation ambient temperature: -40°C to 105°C
- 48-pin LQFP, 32-pin LQFP and 32-pin QFN packages

# Table of Contents

|     |  |    |      |  |    |
|-----|--|----|------|--|----|
| 1   | Overview.....  | 3  | 6.1  | Thermal handling ratings.....                        | 27 |
| 1.1 | MC56F823xx Product Family.....                               | 3  | 6.2  | Moisture handling ratings.....                       | 27 |
| 1.2 | 56800EX 32-bit Digital Signal Controller (DSC) core.....     | 3  | 6.3  | ESD handling ratings.....                            | 27 |
| 1.3 | Operation Parameters.....                                    | 4  | 6.4  | Voltage and current operating ratings.....           | 28 |
| 1.4 | On-Chip Memory and Memory Protection.....                    | 5  | 7    | General.....   | 29 |
| 1.5 | Interrupt Controller.....                                    | 5  | 7.1  | General characteristics.....                         | 29 |
| 1.6 | Peripheral highlights.....                                   | 6  | 7.2  | AC electrical characteristics.....                   | 30 |
| 1.7 | Block diagrams.....  | 11 | 7.3  | Nonswitching electrical specifications.....          | 31 |
| 2   | MC56F823xx signal and pin descriptions.....                  | 14 | 7.4  | Switching specifications.....                        | 36 |
| 2.1 | Signal groups.....   | 20 | 7.5  | Thermal specifications.....                          | 37 |
| 3   | Ordering parts.....  | 21 | 8    | Peripheral operating requirements and behaviors..... | 39 |
| 3.1 | Determining valid orderable parts.....                       | 21 | 8.1  | Core modules.....                                    | 39 |
| 4   | Part identification.....                                     | 21 | 8.2  | System modules.....                                  | 40 |
| 4.1 | Description.....   | 21 | 8.3  | Clock modules.....                                   | 40 |
| 4.2 | Format.....  | 21 | 8.4  | Memories and memory interfaces.....                  | 43 |
| 4.3 | Fields.....  | 22 | 8.5  | Analog.....  | 45 |
| 4.4 | Example.....   | 22 | 8.6  | Timer.....   | 51 |
| 5   | Terminology and guidelines.....                              | 22 | 8.7  | Communication interfaces.....                        | 52 |
| 5.1 | Definition: Operating requirement.....                       | 22 | 9    | Design Considerations.....                           | 57 |
| 5.2 | Definition: Operating behavior.....                          | 23 | 9.1  | Thermal design considerations.....                   | 57 |
| 5.3 | Definition: Attribute.....                                   | 23 | 9.2  | Electrical design considerations.....                | 59 |
| 5.4 | Definition: Rating.....                                      | 23 | 9.3  | Power-on Reset design considerations.....            | 60 |
| 5.5 | Result of exceeding a rating.....                            | 24 | 10   | Obtaining package dimensions.....                    | 63 |
| 5.6 | Relationship between ratings and operating requirements..... | 24 | 11   | Pinout.....  | 63 |
| 5.7 | Guidelines for ratings and operating requirements.....       | 25 | 11.1 | Signal Multiplexing and Pin Assignments.....         | 63 |
| 5.8 | Definition: Typical value.....                               | 25 | 11.2 | Pinout diagrams.....                                 | 65 |
| 5.9 | Typical value conditions.....                                | 26 | 12   | Product documentation.....                           | 66 |
| 6   | Ratings.....   | 27 | 13   | Revision History.....                                | 67 |

# 1 Overview

## 1.1 MC56F823xx Product Family

The following table is the comparison of features among members of the family.

**Table 1. MC56F823xx Family**

| Part Number  | MC56F82 |         |         |
|--|---------|---------|---------|
|  | 323VFM  | 316V LF | 313V LC |
| Core frequency (MHz)   | 50      | 50      | 50      |
| Flash memory (KB)  | 32      | 16      | 16      |
| RAM (KB)   | 6       | 4       | 4       |
| Interrupt Controller   | Yes     | Yes     | Yes     |
| Windowed Computer Operating Properly (WCOP)                      | 1       | 1       | 1       |
| External Watchdog Monitor (EWM)                                  | 1       | 1       | 1       |
| Periodic Interrupt Timer (PIT)                                   | 2       | 2       | 2       |
| Cyclic Redundancy Check (CRC)                                    | 1       | 1       | 1       |
| Quad Timer (TMR)   | 1x4     | 1x4     | 1x4     |
| 12-bit Cyclic ADC channels                                       | 2x3     | 2x5     | 2x3     |
| PWM module :<br>Standard channel with input capture <sup>1</sup> | 6       | 6       | 6       |
| 12-bit DAC   | 0       | 2       | 0       |
| DMA  | Yes     | Yes     | Yes     |
| Analog Comparators (CMP)   | 2       | 4       | 2       |
| QSCI   | 1       | 2       | 1       |
| QSPI   | 1       | 1       | 1       |
| I2C/SMBus  | 1       | 1       | 1       |
| GPIO   | 26      | 39      | 26      |
| Package pin count  | 32 QFN  | 48 LQFP | 32 LQFP |

1. Input capture shares the pin with coresponding PWM channels.

## 1.2 56800EX 32-bit Digital Signal Controller (DSC) core

- Efficient 32-bit 56800EX Digital Signal Processor (DSP) engine with modified dual Harvard architecture:
  - Three internal address buses

- Four internal data buses: two 32-bit primary buses, one 16-bit secondary data bus, and one 16-bit instruction bus
- 32-bit data accesses
- Supports concurrent instruction fetches in the same cycle, and dual data accesses in the same cycle
- 20 addressing modes
- As many as 50 million instructions per second (MIPS) at 50 MHz core frequency
- 162 basic instructions
- Instruction set supports both fractional arithmetic and integer arithmetic
- 32-bit internal primary data buses support 8-bit, 16-bit, and 32-bit data movement, plus addition, subtraction, and logical operations
- Single-cycle  $16 \times 16$ -bit  $\rightarrow$  32-bit and  $32 \times 32$ -bit  $\rightarrow$  64-bit multiplier-accumulator (MAC) with dual parallel moves
- 32-bit arithmetic and logic multi-bit shifter
- Four 36-bit accumulators, including extension bits
- Parallel instruction set with unique DSP addressing modes
- Hardware DO and REP loops
- Bit reverse address mode, which effectively supports DSP and Fast Fourier Transform algorithms
- Full shadowing of the register stack for zero-overhead context saves and restores: nine shadow registers correspond to nine address registers (R0, R1, R2, R3, R4, R5, N, N3, M01)
- Instruction set supports both DSP and controller functions
- Controller-style addressing modes and instructions enable compact code
- Enhanced bit manipulation instruction set
- Efficient C compiler and local variable support
- Software subroutine and interrupt stack, with the stack's depth limited only by memory
- Priority level setting for interrupt levels
- JTAG/Enhanced On-Chip Emulation (OnCE) for unobtrusive, real-time debugging that is independent of processor speed

### 1.3 Operation Parameters

- Up to 50 MHz operation
- Operation ambient temperature:  
-40 °C to 105°C
- Single 3.3 V power supply
- Supply range:  $V_{DD} - V_{SS} = 2.7 \text{ V to } 3.6 \text{ V}$ ,  $V_{DDA} - V_{SSA} = 2.7 \text{ V to } 3.6 \text{ V}$

## 1.4 On-Chip Memory and Memory Protection

- Dual Harvard architecture permits as many as three simultaneous accesses to program and data memory
- Internal flash memory with security and protection to prevent unauthorized access
- Memory resource protection (MRP) unit to protect supervisor programs and resources from user programs
- Programming code can reside in flash memory during flash programming
- The dual-port RAM controller supports concurrent instruction fetches and data accesses, or dual data accesses by the core.
  - Concurrent accesses provide increased performance.
  - The data and instruction arrive at the core in the same cycle, reducing latency.
- On-chip memory
  - Up to 32 KB program/data flash memory
  - Up to 4 KB dual port data/program RAM

## 1.5 Interrupt Controller

- Five interrupt priority levels
  - Three user-programmable priority levels for each interrupt source: level 0, level 1, level 2
  - Unmaskable level 3 interrupts include illegal instruction, hardware stack overflow, misaligned data access, SWI3 instruction
  - Interrupt level 3 is highest priority and non-maskable. Its sources include:
    - Illegal instructions
    - Hardware stack overflow
    - SWI instruction
    - EOnce interrupts
    - Misaligned data accesses
  - Lowest-priority software interrupt: level LP
- Support for nested interrupts, so that a higher priority level interrupt request can interrupt lower priority interrupt subroutine
- Masking of interrupt priority level is managed by the 56800EX core
- Two programmable fast interrupts that can be assigned to any interrupt source
- Notification to System Integration Module (SIM) to restart clock when in wait and stop states
- Ability to relocate interrupt vector table

## 1.6 Peripheral highlights

### 1.6.1 Flex Pulse Width Modulator (FlexPWM)

- Up to 100 MHz operation clock with PWM Resolution as fine as 10 ns
- PWM module contains four identical submodules, with two outputs per submodule
- 16 bits of resolution for center, edge-aligned, and asymmetrical PWMs
- PWM outputs can be configured as complementary output pairs or independent outputs
- Dedicated time-base counter with period and frequency control per submodule
- Independent top and bottom deadtime insertion for each complementary pair
- Independent control of both edges of each PWM output
- Enhanced input capture and output compare functionality on each input:
  - Channels not used for PWM generation can be used for buffered output compare functions.
  - Channels not used for PWM generation can be used for input capture functions.
  - Enhanced dual edge capture functionality
- Synchronization of submodule to external hardware (or other PWM) is supported.
- Double-buffered PWM registers
  - Integral reload rates from 1 to 16
  - Half-cycle reload capability
- Multiple output trigger events can be generated per PWM cycle via hardware.
- Support for double-switching PWM outputs
- Up to eight fault inputs can be assigned to control multiple PWM outputs
  - Programmable filters for fault inputs
- Independently programmable PWM output polarity
- Individual software control of each PWM output
- All outputs can be programmed to change simultaneously via a FORCE\_OUT event.
- Option to supply the source for each complementary PWM signal pair from any of the following:
  - Crossbar module outputs
  - External ADC input, taking into account values set in ADC high and low limit registers

### 1.6.2 12-bit Analog-to-Digital Converter (Cyclic type)

- Two independent 12-bit analog-to-digital converters (ADCs):
  - 2 x 5-channel external inputs
  - Built-in x1, x2, x4 programmable gain pre-amplifier

- Maximum ADC clock frequency up to 10 MHz, having period as low as 100-ns
- Single conversion time of 10 ADC clock cycles
- Additional conversion time of 8 ADC clock cycles
- Support of analog inputs for single-ended and differential, including unipolar differential, conversions
- Sequential, parallel, and independent scan mode
- First 8 samples have offset, limit and zero-crossing calculation supported
- ADC conversions can be synchronized by *any* module connected to the internal crossbar module, such as PWM, timer, GPIO, and comparator modules.
- Support for simultaneous triggering and software-triggering conversions
- Support for a multi-triggering mode with a programmable number of conversions on each trigger
- Each ADC has ability to scan and store up to 8 conversion results.
- Current injection protection

### 1.6.3 Periodic Interrupt Timer (PIT) Modules

- 16-bit counter with programmable count modulo
- PIT0 is master and PIT1 is slave (if synchronizing both PITs)
- The output signals of both PIT0 and PIT1 are internally connected to a peripheral crossbar module
- Can run when the CPU is in Wait/Stop modes. Can also wake up the CPU from Wait/Stop modes.
- In addition to its existing bus clock (up to 50 MHz), 3 alternate clock sources for the counter clock are available:
  - Crystal oscillator output
  - 8 MHz / 400 kHz ROSC (relaxation oscillator output)
  - On-chip low-power 200 kHz oscillator

### 1.6.4 Inter-Module Crossbar and AND-OR-INVERT logic

- Provides generalized connections between and among on-chip peripherals: ADCs, 12-bit DAC, comparators, quad-timers, FlexPWMs, EWM, and select I/O pins
- User-defined input/output pins for all modules connected to the crossbar
- DMA request and interrupt generation from the crossbar
- Write-once protection for all registers
- AND-OR-INVERT function provides a universal Boolean function generator that uses a four-term sum-of-products expression, with each product term containing true or complement values of the four selected inputs (A, B, C, D).

### 1.6.5 Comparator

- Full rail-to-rail comparison range
- Support for high and low speed modes
- Selectable input source includes external pins and internal DACs
- Programmable output polarity
- 6-bit programmable DAC as a voltage reference per comparator
- Three programmable hysteresis levels
- Selectable interrupt on rising-edge, falling-edge, or toggle of a comparator output

### 1.6.6 12-bit Digital-to-Analog Converter

- 12-bit resolution
- Powerdown mode
- Automatic mode allows the DAC to automatically generate pre-programmed output waveforms, including square, triangle, and sawtooth waveforms (for applications like slope compensation)
- Programmable period, update rate, and range
- Output can be routed to an internal comparator, ADC, or optionally to an off-chip destination

### 1.6.7 Quad Timer

- Four 16-bit up/down counters, with a programmable prescaler for each counter
- Operation modes: edge count, gated count, signed count, capture, compare, PWM, signal shot, single pulse, pulse string, cascaded, quadrature decode
- Programmable input filter
- Counting start can be synchronized across counters
- Up to 100 MHz operation clock

### 1.6.8 Queued Serial Communications Interface (QSCI) modules

- Operating clock can be up to two times the CPU operating frequency
- Four-word-deep FIFOs available on both transmit and receive buffers
- Standard mark/space non-return-to-zero (NRZ) format
- 16-bit integer and 3-bit fractional baud rate selection
- Full-duplex or single-wire operation
- Programmable 8-bit or 9-bit data format
- Error detection capability



- Two receiver wakeup methods:
  - Idle line
  - Address mark
- 1/16 bit-time noise detection
- Up to 6.25 Mbit/s baud rate at 100 MHz operation clock

### 1.6.9 Queued Serial Peripheral Interface (QSPI) modules

- Maximum 12.5 Mbit/s baud rate
- Selectable baud rate clock sources for low baud rate communication
- Baud rate as low as  $\text{Baudrate\_Freq\_in} / 8192$
- Full-duplex operation
- Master and slave modes
- Double-buffered operation with separate transmit and receive registers
- Four-word-deep FIFOs available on transmit and receive buffers
- Programmable length transmissions (2 bits to 16 bits)
- Programmable transmit and receive shift order (MSB as first bit transmitted)

### 1.6.10 Inter-Integrated Circuit (I2C)/System Management Bus (SMBus) modules

- Compatible with I2C bus standard
- Support for System Management Bus (SMBus) specification, version 2
- Multi-master operation
- General call recognition
- 10-bit address extension
- Start/Repeat and Stop indication flags
- Support for dual slave addresses or configuration of a range of slave addresses
- Programmable glitch input filter with option to clock up to 100 MHz

### 1.6.11 Windowed Computer Operating Properly (COP) watchdog

- Programmable windowed timeout period
- Support for operation in all power modes: run mode, wait mode, stop mode
- Causes loss of reference reset 128 cycles after loss of reference clock to the PLL is detected
- Selectable reference clock source in support of EN60730 and IEC61508
- Selectable clock sources:
  - External crystal oscillator/external clock source
  - On-chip low-power 200 kHz oscillator

## Peripheral highlights

- System bus (IPBus up to 50 MHz)
- 8 MHz / 400 kHz ROSC
- Support for interrupt triggered when the counter reaches the timeout value

### 1.6.12 External Watchdog Monitor (EWM)

- Monitors external circuit as well as the software flow
- Programmable timeout period
- Interrupt capability prior to timeout
- Independent output (EWM\_OUT\_b) that places external circuit (but not CPU and peripheral) in a safe mode when EWM timeout occurs
- Selectable reference clock source in support of EN60730 and IEC61508
- Wait mode and Stop mode operation is not supported.
- Selectable clock sources:
  - External crystal oscillator/external clock source
  - On-chip low-power 200 kHz oscillator
  - System bus (IPBus up to 50 MHz)
  - 8 MHz / 400 kHz ROSC

### 1.6.13 Power supervisor

- Power-on reset (POR) to reset CPU, peripherals, and JTAG/EOnCE controllers ( $V_{DD} > 2.1$  V)
- Brownout reset ( $V_{DD} < 1.9$  V)
- Critical warn low-voltage interrupt (LVI2.0)
- Peripheral low-voltage interrupt (LVI2.7)

### 1.6.14 Phase-locked loop

- Wide programmable output frequency: 200 MHz to 400 MHz
- Input reference clock frequency: 8 MHz to 16 MHz
- Detection of loss of lock and loss of reference clock
- Ability to power down

## 1.6.15 Clock sources

### 1.6.15.1 On-chip oscillators

- Tunable 8 MHz relaxation oscillator with 400 kHz at standby mode (divide-by-two output)
- 200 kHz low frequency clock as secondary clock source for COP, EWM, PIT

### 1.6.15.2 Crystal oscillator (MC56F82316 only)

- Support for both high ESR crystal oscillator (ESR greater than 100  $\Omega$ ) and ceramic resonator
- Operating frequency: 4–16 MHz

## 1.6.16 Cyclic Redundancy Check (CRC) Generator

- Hardware CRC generator circuit with 16-bit shift register
- High-speed hardware CRC calculation
- Programmable initial seed value
- CRC16-CCITT compliancy with  $x^{16} + x^{12} + x^5 + 1$  polynomial
- Error detection for all single, double, odd, and most multibit errors
- Option to transpose input data or output data (CRC result) bitwise, which is required for certain CRC standards

## 1.6.17 General Purpose I/O (GPIO)

- 5 V tolerance (except RESETB pin)
- Individual control of peripheral mode or GPIO mode for each pin
- Programmable push-pull or open drain output
- Configurable pullup or pulldown on all input pins
- All pins (except JTAG and RESETB) default to be GPIO inputs
- 2 mA / 9 mA source/sink capability
- Controllable output slew rate

## 1.7 Block diagrams

The 56800EX core is based on a modified dual Harvard-style architecture, consisting of three execution units operating in parallel, and allowing as many as six operations per instruction cycle. The MCU-style programming model and optimized instruction set

enable straightforward generation of efficient and compact code for the DSP and control functions. The instruction set is also efficient for C compilers, to enable rapid development of optimized control applications.

The device's basic architecture appears in Figure 1 and Figure 2. Figure 1 shows how the 56800EX system buses communicate with internal memories, and the IPBus interface and the internal connections among the units of the 56800EX core. Figure 2 shows the peripherals and control blocks connected to the IPBus bridge. See the specific device's Reference Manual for details.

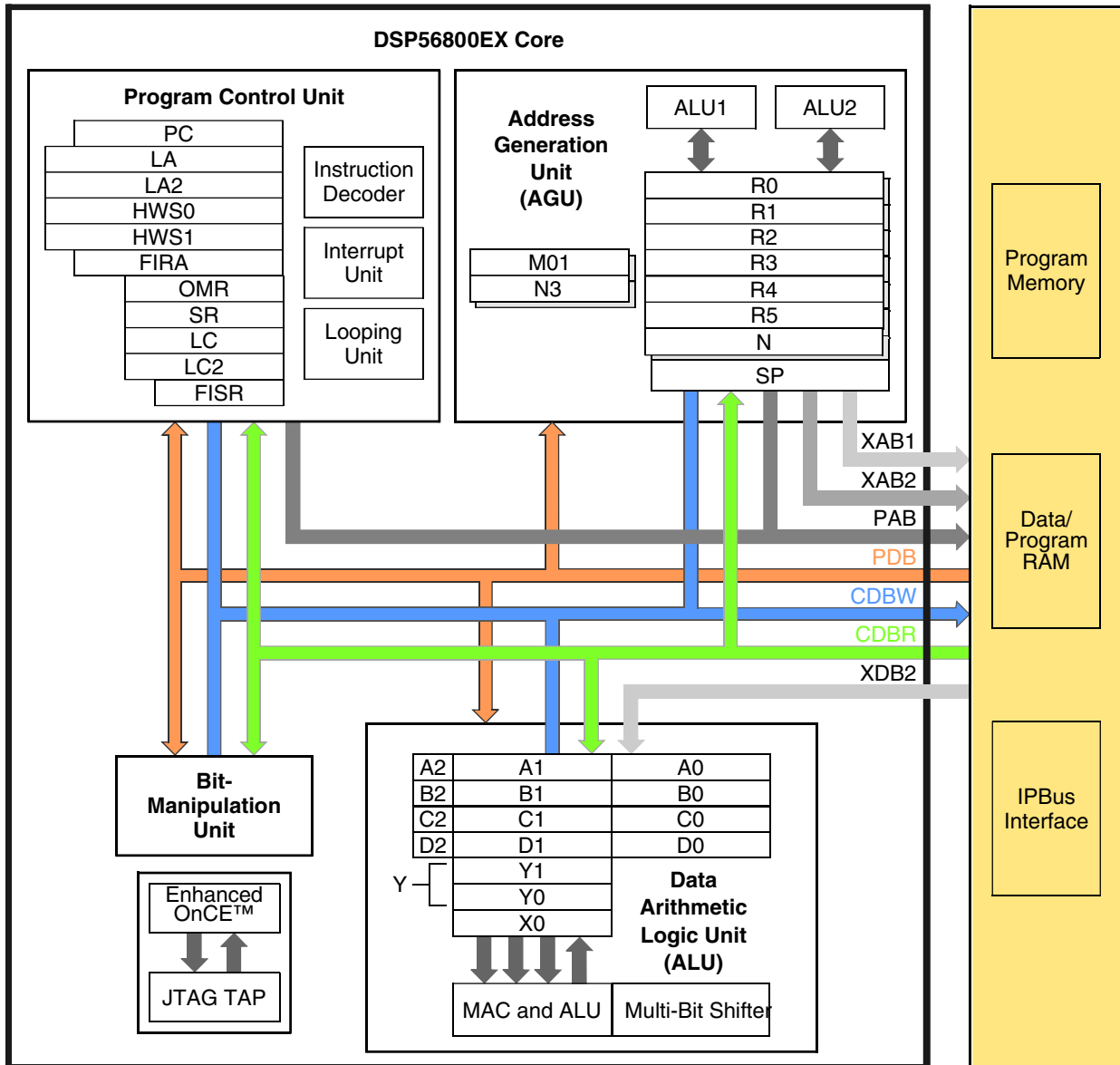


Figure 1. 56800EX basic block diagram

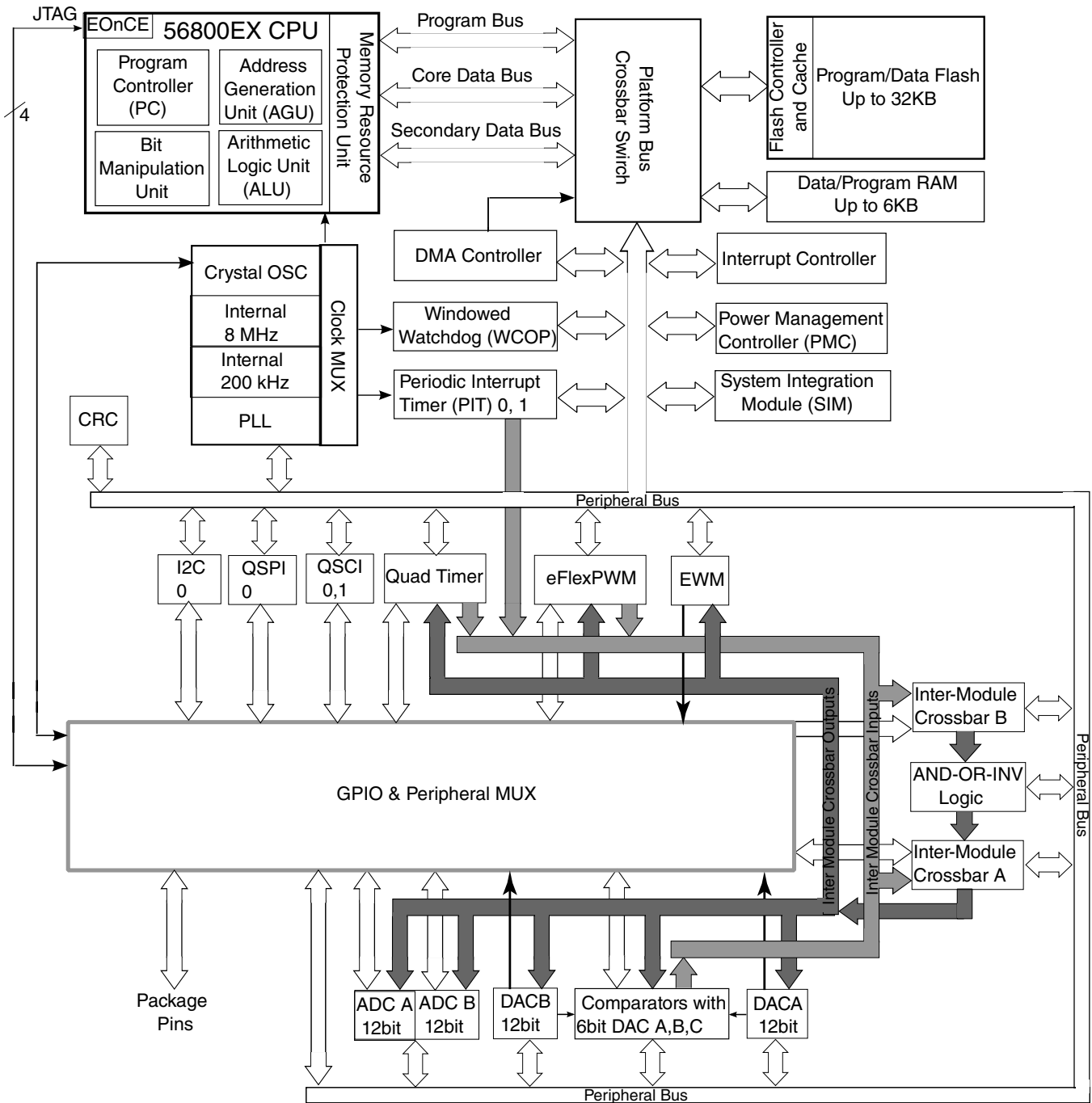


Figure 2. System diagram

## 2 MC56F823xx signal and pin descriptions

After reset, each pin is configured for its primary function (listed first). Any alternative functionality, shown in parentheses, must be programmed through the GPIO module peripheral enable registers (GPIO<sub>x</sub>\_PER) and the SIM module GPIO peripheral select (GPS<sub>x</sub>) registers. All GPIO ports can be individually programmed as an input or output (using bit manipulation).

- PWMA\_FAULT0, PWMA\_FAULT1, and similar signals are inputs used to disable selected PWMA outputs, in cases where the fault conditions originate off-chip.

For the MC56F823xx products, which use 48-pin LQFP and 32-pin packages:

**Table 2. Signal descriptions**

| Signal Name      | 48 LQFP        | 32 LQFP       | Type                     | State During Reset             | Signal Description   |
|------------------|----------------|---------------|--------------------------|--------------------------------|--|
| V <sub>DD</sub>  | 32<br>44       | —<br>28       | Supply                   | Supply                         | I/O Power — Supplies 3.3 V power to the chip I/O interface.  |
| V <sub>SS</sub>  | 22<br>31<br>45 | 14<br>—<br>29 | Supply                   | Supply                         | I/O Ground — Provide ground for the device I/O interface.  |
| V <sub>DDA</sub> | 15             | 9             | Supply                   | Supply                         | Analog Power — Supplies 3.3 V power to the analog modules. It must be connected to a clean analog power supply.  |
| V <sub>SSA</sub> | 16             | 10            | Supply                   | Supply                         | Analog Ground — Supplies an analog ground to the analog modules. It must be connected to a clean power supply.   |
| V <sub>CAP</sub> | 19<br>43       | —<br>27       | On-chip regulator output | On-chip regulator output       | Connect a 2.2 μF or greater bypass capacitor between this pin and V <sub>SS</sub> to stabilize the core voltage regulator output required for proper device operation. |
| TDI              | 48             | 32            | Input                    | Input, internal pullup enabled | Test Data Input — It is sampled on the rising edge of TCK and has an internal pullup resistor. After reset, the default state is TDI.                                  |
| (GPIO D0)        |                |               | Input/Output             |                                | GPIO Port D0   |
| TDO              | 46             | 30            | Output                   | Output                         | Test Data Output — It is driven in the shift-IR and shift-DR controller states, and it changes on the falling edge of TCK. After reset, the default state is TDO       |
| (GPIO D1)        |                |               | Input/Output             | Output                         | GPIO Port D1   |
| TCK              | 1              | 1             | Input                    | Input, internal pullup enabled | Test Clock Input — The pin is connected internally to a pullup resistor. A Schmitt-trigger input is used for noise immunity. After reset, the default state is TCK     |
| (GPIO D2)        |                |               | Input/Output             |                                | GPIO Port D2   |

Table continues on the next page...

Table 2. Signal descriptions (continued)

| Signal Name            | 48 LQFP | 32 LQFP | Type                     | State During Reset             | Signal Description   |
|------------------------|---------|---------|--------------------------|--------------------------------|--|
| <b>TMS</b>             | 47      | 31      | Input                    | Input, internal pullup enabled | Test Mode Select Input — It is sampled on the rising edge of TCK and has an internal pullup resistor. After reset, the default state is TMS.<br><br><b>NOTE:</b> Always tie the TMS pin to $V_{DD}$ through a 2.2K resistor if need to keep on-board debug capability. Otherwise, directly tie to $V_{DD}$ .   |
| (GPIO D3)              |         |         | Input/Output             |                                | GPIO Port D3   |
| <b>RESET or RESETB</b> | 2       | 2       | Input                    | Input, internal pullup enabled | Reset — A direct hardware reset on the processor. When <b>RESET</b> is asserted low, the device is initialized and placed in the reset state. A Schmitt-trigger input is used for noise immunity. The internal reset signal is deasserted synchronous with the internal clocks after a fixed number of internal clocks. After reset, the default state is <b>RESET</b> . Recommended a capacitor of up to 0.1 $\mu$ F for filtering noise. |
| (GPIO D4)              |         |         | Input/Opendedrain Output |                                | GPIO Port D4 <b>RESET</b> functionality is disabled in this mode and the device can be reset only through POR, COP reset, or software reset.   |
| <b>GPIOA0</b>          | 9       | 6       | Input/Output             | Input, internal pullup enabled | GPIO Port A0   |
| (ANA0&CMPA_IN3)        |         |         | Input                    |                                | ANA0 is analog input to channel 0 of ADCA; CMPA_IN3 is positive input 3 of analog comparator A. After reset, the default state is GPIOA0.  |
| (CMPC_O)               |         |         | Output                   |                                | Analog comparator C output   |
| <b>GPIOA1</b>          | 10      | 7       | Input/Output             | Input, internal pullup enabled | GPIO Port A1: After reset, the default state is GPIOA1.  |
| (ANA1&CMPA_IN0)        |         |         | Input                    |                                | ANA1 is analog input to channel 1 of ADCA; CMPA_IN0 is negative input 0 of analog comparator A. When used as an analog input, the signal goes to ANA1 and CMPA_IN0. The ADC control register configures this input as ANA1 or CMPA_IN0.  |
| <b>GPIOA2</b>          | 11      | 8       | Input/Output             | Input, internal pullup enabled | GPIO Port A2: After reset, the default state is GPIOA2.  |
| (ANA2&VREFHA&CMPA_IN1) |         |         | Input                    |                                | ANA2 is analog input to channel 2 of ADCA; VREFHA is analog reference high of ADCA; CMPA_IN1 is negative input 1 of analog comparator A. When used as an analog input, the signal goes to both ANA2, VREFHA, and CMPA_IN1.   |
| <b>GPIOA3</b>          | 12      | —       | Input/Output             | Input, internal pullup enabled | GPIO Port A3: After reset, the default state is GPIOA3.  |
| (ANA3&VREFLA&CMPA_IN2) |         |         | Input                    |                                | ANA3 is analog input to channel 3 of ADCA; VREFLA is analog reference low of ADCA; CMPA_IN2 is negative input 2 of analog comparator A.  |
| <b>GPIOA4</b>          | 8       | —       | Input/Output             | Input, internal pullup enabled | GPIO Port A4: After reset, the default state is GPIOA4.  |
| (ANA4)                 |         |         | Input                    |                                | ANA4 is Analog input to channel 4 of ADCA.   |

Table continues on the next page...

Table 2. Signal descriptions (continued)

| Signal Name            | 48 LQFP | 32 LQFP | Type             | State During Reset                      | Signal Description  |
|------------------------|---------|---------|------------------|---|---|
| <b>GPIOB0</b>          | 17      | 11      | Input/<br>Output | Input,<br>internal<br>pullup<br>enabled | GPIO Port B0: After reset, the default state is GPIOB0.   |
| (ANB0&CMPB_IN3)        |         |         | Input            |   | ANB0 is analog input to channel 0 of ADCB; CMPB_IN3 is positive input 3 of analog comparator B. When used as an analog input, the signal goes to ANB0 and CMPB_IN3. The ADC control register configures this input as ANB0. |
| <b>GPIOB1</b>          | 18      | 12      | Input/<br>Output | Input,<br>internal<br>pullup<br>enabled | GPIO Port B1: After reset, the default state is GPIOB1.   |
| (ANB1&CMPB_IN0)        |         |         | Input            |   | ANB1 is analog input to channel 1 of ADCB; CMPB_IN0 is negative input 0 of analog comparator B. When used as an analog input, the signal goes to ANB1 and CMPB_IN0. The ADC control register configures this input as ANB1. |
| DACB_O                 |         |         | Analog<br>Output |   | 12-bit digital-to-analog output   |
| <b>GPIOB2</b>          | 20      | 13      | Input/<br>Output | Input,<br>internal<br>pullup<br>enabled | GPIO Port B2: After reset, the default state is GPIOB2.   |
| (ANB2&VERFHB&CMPC_IN3) |         |         | Input            |   | ANB2 is analog input to channel 2 of ADCB; VREFHB is analog reference high of ADCB; CMPC_IN3 is positive input 3 of analog comparator C. When used as an analog input, the signal goes to both ANB2 and CMPC_IN3.           |
| <b>GPIOB3</b>          | 21      | —       | Input/<br>Output | Input,<br>internal<br>pullup<br>enabled | GPIO Port B3: After reset, the default state is GPIOB3.   |
| (ANB3&VREFLB&CMPC_IN0) |         |         | Input            |   | ANB3 is analog input to channel 3 of ADCB; VREFLB is analog reference low of ADCB; CMPC_IN0 is negative input 0 of analog comparator C.   |
| <b>GPIOB4</b>          | 14      | —       | Input/<br>Output | Input,<br>internal<br>pullup<br>enabled | GPIO Port B4: After reset, the default state is GPIOB4.   |
| (ANB4&CMPC_IN1)        |         |         | Input            |   | ANB4 is analog input to channel 4 of ADCB; CMPC_IN1 is negative input 1 of analog comparator C.   |
| <b>GPIOC0</b>          | 3       | —       | Input/<br>Output | Input,<br>internal<br>pullup<br>enabled | GPIO Port C0: After reset, the default state is GPIOC0.   |
| (EXTAL)                |         |         | Analog<br>Input  |   | The external crystal oscillator input (EXTAL) connects the internal crystal oscillator input to an external crystal or ceramic resonator.   |
| (CLKIN0)               |         |         | Input            |   | External clock input 0 <sup>1</sup>   |
| <b>GPIOC1</b>          | 4       | —       | Input/<br>Output | Input,<br>internal<br>pullup<br>enabled | GPIO Port C1: After reset, the default state is GPIOC1.   |
| (XTAL)                 |         |         | Input            |   | The external crystal oscillator output (XTAL) connects the internal crystal oscillator output to an external crystal or ceramic resonator.  |
| <b>GPIOC2</b>          | 5       | 3       | Input/<br>Output | Input,<br>internal<br>pullup<br>enabled | GPIO Port C2: After reset, the default state is GPIOC2.   |
| (TXD0)                 |         |         | Output           |   | SCI0 transmit data output or transmit/receive in singlewire operation   |
| (XB_OUT11)             |         |         | Output           |   | Crossbar module output 11   |

Table continues on the next page...



Table 2. Signal descriptions (continued)

| Signal Name   | 48 LQFP          | 32 LQFP                                    | Type             | State During Reset                      | Signal Description   |
|---------------|------------------|--|------------------|---|--|
| (XB_IN2)      |                  |  | Input            |   | Crossbar module input 2  |
| (CLKO0)       |                  |  | Output           |   | Buffered clock output 0: the clock source is selected by clockout select (CLKOSEL) bits in the clock output select register (CLKOUT) of the SIM. |
| <b>GPIOC3</b> | 6                | 4  | Input/<br>Output | Input,<br>internal<br>pullup<br>enabled | GPIO Port C3: After reset, the default state is GPIOC3.  |
| (TA0)         |                  |  | Input/<br>Output |   | Quad timer module A channel 0 input/output   |
| (CMPA_O)      |                  |  | Output           |   | Analog comparator A output   |
| (RXD0)        |                  |  | Input            |   | SCI0 receive data input  |
| (CLKIN1)      |                  |  | Input            |   | External clock input 1   |
| <b>GPIOC4</b> |                  |  | 7                |   | 5  |
| (TA1)         | Input/<br>Output | Quad timer module A channel 1 input/output |                  |   |  |
| (CMPB_O)      | Output           | Analog comparator B output                 |                  |   |  |
| (XB_IN6)      | Input            | Crossbar module input 6                    |                  |   |  |
| (EWM_OUT_B)   | Output           | External Watchdog Module output            |                  |   |  |
| <b>GPIOC5</b> | 13               | —  |                  | Input/<br>Output                        |  |
| (DACA_O)      |                  |  | Analog<br>Output | 12-bit digital-to-analog output         |  |
| (XB_IN7)      |                  |  | Input            | Crossbar module input 7                 |  |
| <b>GPIOC6</b> | 23               | 15   | Input/<br>Output | Input,<br>internal<br>pullup<br>enabled | GPIO Port C6: After reset, the default state is GPIOC6.  |
| (TA2)         |                  |  | Input/<br>Output |   | Quad timer module A channel 2 input/output   |
| (XB_IN3)      |                  |  | Input            |   | Crossbar module input 3  |
| (CMP_REF)     |                  |  | Analog<br>Input  |   | Positive input 3 of analog comparator A and B and C.   |
| (SS0_B)       |                  |  | Input/<br>Output |   | In slave mode, $\overline{SS0\_B}$ indicates to the SPI module 0 that the current transfer is to be received.                                    |
| <b>GPIOC7</b> | 24               | —  | Input/<br>Output | Input,<br>internal<br>pullup<br>enable  | GPIO Port C7: After reset, the default state is GPIOC7.  |
| (SS0_B)       |                  |  | Input/<br>Output |   | In slave mode, $\overline{SS0\_B}$ indicates to the SPI module 0 that the current transfer is to be received.                                    |
| (TXD0)        |                  |  | Output           |   | SCI0 transmit data output or transmit/receive in singlewire operation  |
| (XB_IN8)      |                  |  | Input            |   | Crossbar module input 8  |
| <b>GPIOC8</b> | 25               | 16   | Input/<br>Output | Input,<br>internal<br>pullup<br>enabled | GPIO Port C8: After reset, the default state is GPIOC8.  |
| (MISO0)       |                  |  | Input/<br>Output |   | Master in/slave out for SPI0 — In master mode, MISO0 pin is the data input. In slave mode, MISO0 pin is the data output.                         |

Table continues on the next page...

Table 2. Signal descriptions (continued)

| Signal Name    | 48 LQFP | 32 LQFP | Type                    | State During Reset             | Signal Description  |
|----------------|---------|---------|-------------------------|--------------------------------|---|
| (RXD0)         |         |         | Input                   |                                | The MISO line of a slave device is placed in the high-impedance state if the slave device is not selected.  |
| (XB_IN9)       |         |         | Input                   |                                | SCI0 receive data input   |
| (XB_OUT6)      |         |         | Output                  |                                | Crossbar module input 9   |
|                |         |         |                         |                                | Crossbar module output 6  |
| <b>GPIOC9</b>  | 26      | 17      | Input/Output            | Input, internal pullup enabled | GPIO Port C9: After reset, the default state is GPIOC9.   |
| (SCLK0)        |         |         | Input/Output            |                                | SPI0 serial clock. In master mode, SCLK0 pin is an output, clocking slaved listeners. In slave mode, SCLK0 pin is the data clock input.   |
| (XB_IN4)       |         |         | Input                   |                                | Crossbar module input 4   |
| (TXD0)         |         |         | Output                  |                                | SCI0 transmit data output or transmit/receive in single wire operation  |
| (XB_OUT8)      |         |         | Output                  |                                | Crossbar module output 8  |
| <b>GPIOC10</b> | 27      | 18      | Input/Output            | Input, internal pullup enabled | GPIO Port C10: After reset, the default state is GPIOC10.   |
| (MOSI0)        |         |         | Input/Output            |                                | Master out/slave in for SPI0 — In master mode, MOSI0 pin is the data output. In slave mode, MOSI0 pin is the data input.  |
| (XB_IN5)       |         |         | Input                   |                                | Crossbar module input 5   |
| (MISO0)        |         |         | Input/Output            |                                | Master in/slave out for SPI0 — In master mode, MISO0 pin is the data input. In slave mode, MISO0 pin is the data output. The MISO line of a slave device is placed in the high-impedance state if the slave device is not selected. |
| (XB_OUT9)      |         |         | Output                  |                                | Crossbar module output 9  |
| <b>GPIOC11</b> | 29      | —       | Input/Output            | Input, internal pullup enabled | GPIO Port C11: After reset, the default state is GPIOC11.   |
| (SCL0)         |         |         | Input/Open-drain Output |                                | I <sup>2</sup> C0 serial clock  |
| (TXD1)         |         |         | Output                  |                                | SCI1 transmit data output or transmit/receive in single wire operation  |
| <b>GPIOC12</b> | 30      | —       | Input/Output            | Input, internal pullup enabled | GPIO Port C12: After reset, the default state is GPIOC12.   |
| (SDA0)         |         |         | Input/Open-drain Output |                                | I <sup>2</sup> C0 serial data line  |
| (RXD1)         |         |         | Input                   |                                | SCI1 receive data input   |
| <b>GPIOC13</b> | 37      | —       | Input/Output            | Input, internal pullup enabled | GPIO Port C13: After reset, the default state is GPIOC13.   |
| (TA3)          |         |         | Input/Output            |                                | Quad timer module A channel 3 input/output  |
| (XB_IN6)       |         |         | Input                   |                                | Crossbar module input 6   |

Table continues on the next page...

Table 2. Signal descriptions (continued)

| Signal Name      | 48 LQFP | 32 LQFP | Type                           | State During Reset                      | Signal Description  |
|------------------|---------|---------|--------------------------------|---|---|
| (EWM_OUT_B)      |         |         | Output                         |   | External Watchdog Module output                                   |
| <b>GPIOC14</b>   | 41      | —       | Input/<br>Output               | Input,<br>internal<br>pullup<br>enabled | GPIO Port C14: After reset, the default state is GPIOC14.         |
| (SDA0)           |         |         | Input/<br>Open-drain<br>Output |   | I <sup>2</sup> C0 serial data line                                |
| (XB_OUT4)        |         |         | Output                         |   | Crossbar module output 4  |
| (PWM_FAULT4<br>) |         |         | Input                          |   | Disable PWMA output 4   |
| <b>GPIOC15</b>   | 42      | —       | Input/<br>Output               | Input,<br>internal<br>pullup<br>enabled | GPIO Port C15: After reset, the default state is GPIOC15.         |
| (SCL0)           |         |         | Input/<br>Open-drain<br>Output |   | I <sup>2</sup> C0 serial clock                                    |
| (XB_OUT5)        |         |         | Output                         |   | Crossbar module output 5  |
| (PWM_FAULT5<br>) |         |         | Input                          |   | Disable PWMA output 5   |
| <b>GPIOE0</b>    | 33      | 21      | Input/<br>Output               | Input,<br>internal<br>pullup<br>enabled | GPIO Port E0: After reset, the default state is GPIOE0.           |
| (PWMA_0B)        |         |         | Input/<br>Output               |   | PWM module A (NanoEdge), submodule 0, output B or input capture B |
| <b>GPIOE1</b>    | 34      | 22      | Input/<br>Output               | Input,<br>internal<br>pullup<br>enabled | GPIO Port E1: After reset, the default state is GPIOE1.           |
| (PWMA_0A)        |         |         | Input/<br>Output               |   | PWM module A (NanoEdge), submodule 0, output A or input capture A |
| <b>GPIOE2</b>    | 35      | 23      | Input/<br>Output               | Input,<br>internal<br>pullup<br>enabled | GPIO Port E2: After reset, the default state is GPIOE2.           |
| (PWMA_1B)        |         |         | Input/<br>Output               |   | PWM module A (NanoEdge), submodule 1, output B or input capture B |
| <b>GPIOE3</b>    | 36      | 24      | Input/<br>Output               | Input,<br>internal<br>pullup<br>enabled | GPIO Port E3: After reset, the default state is GPIOE3.           |
| (PWM_1A)         |         |         | Input/<br>Output               |   | PWM module A (NanoEdge), submodule 1, output A or input capture A |
| <b>GPIOE4</b>    | 39      | 25      | Input/<br>Output               | Input,<br>internal<br>pullup<br>enabled | GPIO Port E4: After reset, the default state is GPIOE4.           |
| (PWMA_2B)        |         |         | Input/<br>Output               |   | PWM module A (NanoEdge), submodule 2, output B or input capture B |
| (XB_IN2)         |         |         | Input                          |   | Crossbar module input 2   |
| <b>GPIOE5</b>    | 40      | 26      | Input/<br>Output               | Input,<br>internal<br>pullup<br>enabled | GPIO Port E5: After reset, the default state is GPIOE5.           |
| (PWMA_2A)        |         |         | Input/<br>Output               |   | PWM module A (NanoEdge), submodule 2, output A or input capture A |
| (XB_IN3)         |         |         | Input                          |   | Crossbar module input 3   |

Table continues on the next page...

Table 2. Signal descriptions (continued)

| Signal Name   | 48 LQFP | 32 LQFP | Type                               | State During Reset                      | Signal Description  |
|---------------|---------|---------|------------------------------------|---|---|
| <b>GPIOF0</b> | 28      | —       | Input/<br>Output                   | Input,<br>internal<br>pullup<br>enabled | GPIO Port F0: After reset, the default state is GPIOF0.   |
| (XB_IN6)      |         |         | Input                              |   | Crossbar module input 6   |
| (SCLK1)       |         |         | Input/<br>Output                   |   | SPI1 serial clock — In master mode, SCLK1 pin is an output, clocking slaved listeners. In slave mode, SCLK1 pin is the data clock input 0.  |
| <b>GPIOF1</b> | 38      | —       | Input/<br>Output                   | Input,<br>internal<br>pullup<br>enabled | GPIO Port F1: After reset, the default state is GPIOF1.   |
| (CLKO1)       |         |         | Output                             |   | Buffered clock output 1: the clock source is selected by clockout select (CLKOSEL) bits in the clock output select register (CLKOUT) of the SIM.  |
| (XB_IN7)      |         |         | Input                              |   | Crossbar module input 7   |
| <b>GPIOF2</b> | —       | 19      | Input/<br>Output                   | Input,<br>internal<br>pullup<br>enabled | GPIO Port F2: After reset, the default state is GPIOF2.   |
| (SCL0)        |         |         | Input/<br>Open-<br>drain<br>Output |   | I <sup>2</sup> C0 serial clock  |
| (XB_OUT6)     |         |         | Output                             |   | Crossbar module output 6  |
| (MISO1)       |         |         | Input/<br>Output                   |   | Master in/slave out for SPI1 — In master mode, MISO1 pin is the data input. In slave mode, MISO1 pin is the data output. The MISO line of a slave device is placed in the high-impedance state if the slave device is not selected. |
| <b>GPIOF3</b> | —       | 20      | Input/<br>Output                   | Input,<br>internal<br>pullup<br>enabled | GPIO Port F3: After reset, the default state is GPIOF3.   |
| (SDA0)        |         |         | Input/<br>Open-drain<br>Output     |   | I <sup>2</sup> C0 serial data line  |
| (XB_OUT7)     |         |         | Output                             |   | Crossbar module output 7  |
| (MOSI1)       |         |         | Input/<br>Output                   |   | Master out/slave in for SPI1— In master mode, MOSI1 pin is the data output. In slave mode, MOSI1 pin is the data input.   |

1. If CLKIN is selected as the device's external clock input, then both the GPS\_C0 bit (in GPS1) and the EXT\_SEL bit (in OCCS oscillator control register (OSCTL)) must be set. Also, the crystal oscillator should be powered down.

## 2.1 Signal groups

The input and output signals of the MC56F8F823xx are organized into functional groups, as detailed in [Table 3](#).

**Table 3. Functional Group Pin Allocations**

| Functional Group   | Number of Pins |        |
|--|----------------|--------|
|  | 32LQFP         | 48LQFP |
| Power Inputs ( $V_{DD}$ , $V_{DDA}$ ), Power output( $V_{CAP}$ ) | 3              | 5      |
| Ground ( $V_{SS}$ , $V_{SSA}$ )                                  | 3              | 4      |
| Reset  | 1              | 1      |
| Queued Serial Peripheral Interface (QSPI0 and QSPI1) ports       | 4              | 5      |
| Queued Serial Communications Interface (QSCI0 and QSCI1) ports   | 4              | 7      |
| Inter-Integrated Circuit Interface (I <sup>2</sup> C0) ports     | 2              | 4      |
| 12-bit Analog-to-Digital Converter inputs                        | 6              | 10     |
| Analog Comparator inputs/outputs                                 | 5/2            | 9/3    |
| 12-bit Digital-to-Analog output                                  | 0              | 2      |
| Quad Timer Module (TMRA and TMRB) ports                          | 3              | 4      |
| Inter-Module Crossbar inputs/outputs                             | 8/4            | 12/6   |
| Clock inputs/outputs   | 1/1            | 2/2    |
| JTAG / Enhanced On-Chip Emulation (EOnCE)                        | 4              | 4      |

## 3 Ordering parts

### 3.1 Determining valid orderable parts

Valid orderable part numbers are provided on the web. To determine the orderable part numbers for this device, go to [freescale.com](http://freescale.com) and perform a part number search for the following device numbers: MC56F82

## 4 Part identification

### 4.1 Description

Part numbers for the chip have fields that identify the specific part. You can use the values of these fields to determine the specific part you have received.

### 4.2 Format

Part numbers for this device have the following format: Q 56F8 2 C F P T PP N

## 4.3 Fields

This table lists the possible values for each field in the part number (not all combinations are valid):

| Field | Description   | Values   |
|-------|---|--|
| Q     | Qualification status  | <ul style="list-style-type: none"> <li>MC = Fully qualified, general market flow</li> <li>PC = Prequalification</li> </ul> |
| 56F8  | DSC family with flash memory and DSP56800/<br>DSP56800E/DSP56800EX core | <ul style="list-style-type: none"> <li>56F8</li> </ul>   |
| 2     | DSC subfamily   | <ul style="list-style-type: none"> <li>2</li> </ul>  |
| C     | Maximum CPU frequency (MHz)   | <ul style="list-style-type: none"> <li>3 = 50 MHz</li> </ul>   |
| F     | Primary program flash memory size                                       | <ul style="list-style-type: none"> <li>1 = 16 KB</li> </ul>  |
| P     | Pin count   | <ul style="list-style-type: none"> <li>3 = 32</li> <li>6 = 48</li> </ul>   |
| T     | Temperature range (°C)  | <ul style="list-style-type: none"> <li>V = -40 to 105</li> </ul>   |
| PP    | Package identifier  | <ul style="list-style-type: none"> <li>LC = 32LQFP</li> <li>FM = 32QFN</li> <li>LF = 48LQFP</li> </ul>                     |
| N     | Packaging type  | <ul style="list-style-type: none"> <li>R = Tape and reel</li> <li>(Blank) = Trays</li> </ul>                               |

## 4.4 Example

This is an example part number: MC56F82316VLH

## 5 Terminology and guidelines

### 5.1 Definition: Operating requirement

An *operating requirement* is a specified value or range of values for a technical characteristic that you must guarantee during operation to avoid incorrect operation and possibly decreasing the useful life of the chip.

#### 5.1.1 Example

This is an example of an operating requirement:

| Symbol          | Description               | Min. | Max. | Unit |
|-----------------|---------------------------|------|------|------|
| V <sub>DD</sub> | 1.0 V core supply voltage | 0.9  | 1.1  | V    |

## 5.2 Definition: Operating behavior

Unless otherwise specified, an *operating behavior* is a specified value or range of values for a technical characteristic that are guaranteed during operation if you meet the operating requirements and any other specified conditions.

### 5.2.1 Example

This is an example of an operating behavior:

| Symbol          | Description                              | Min. | Max. | Unit |
|-----------------|--|------|------|------|
| I <sub>WP</sub> | Digital I/O weak pullup/pulldown current | 10   | 130  | μA   |

## 5.3 Definition: Attribute

An *attribute* is a specified value or range of values for a technical characteristic that are guaranteed, regardless of whether you meet the operating requirements.

### 5.3.1 Example

This is an example of an attribute:

| Symbol | Description                     | Min. | Max. | Unit |
|--------|---------------------------------|------|------|------|
| CIN_D  | Input capacitance: digital pins | —    | 7    | pF   |

## 5.4 Definition: Rating

A *rating* is a minimum or maximum value of a technical characteristic that, if exceeded, may cause permanent chip failure:

## Terminology and guidelines

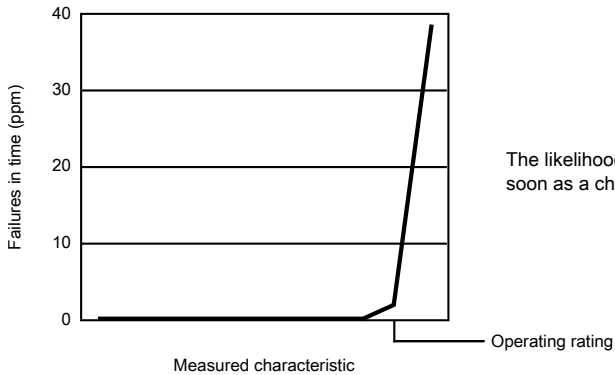
- *Operating ratings* apply during operation of the chip.
- *Handling ratings* apply when the chip is not powered.

### 5.4.1 Example

This is an example of an operating rating:

| Symbol          | Description               | Min. | Max. | Unit |
|-----------------|---------------------------|------|------|------|
| V <sub>DD</sub> | 1.0 V core supply voltage | -0.3 | 1.2  | V    |

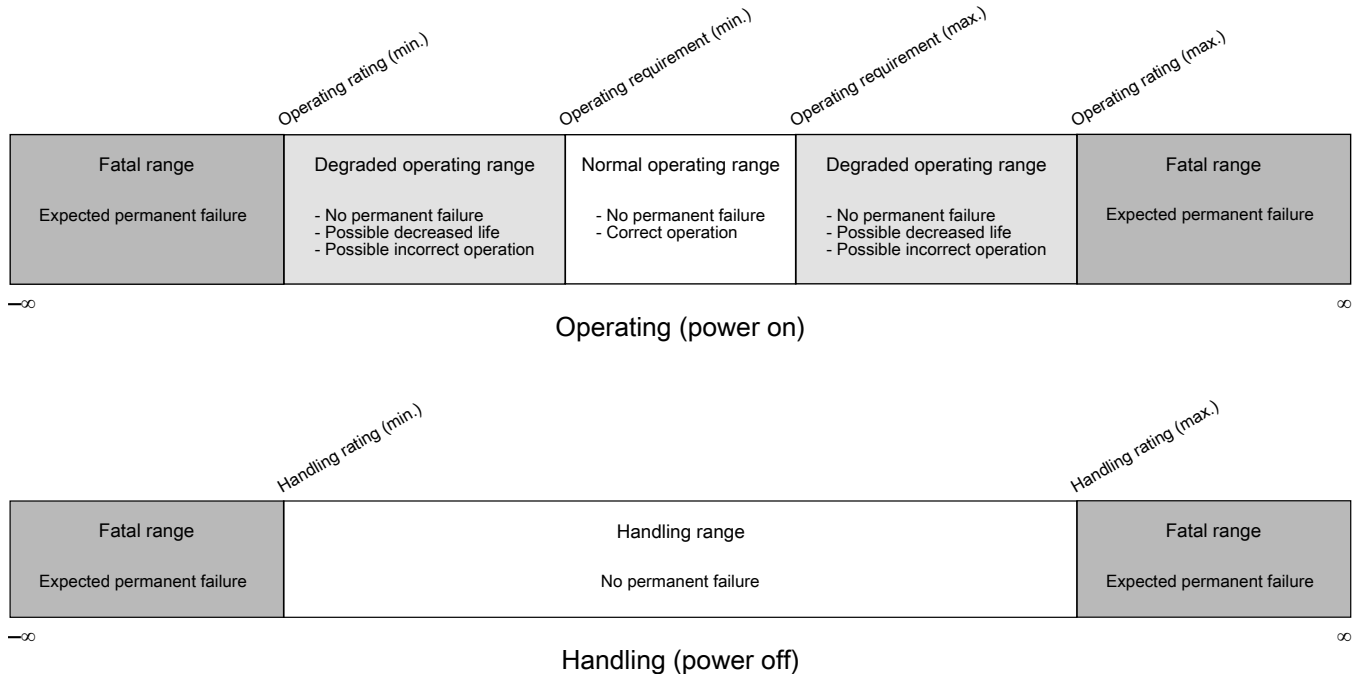
### 5.5 Result of exceeding a rating



The likelihood of permanent chip failure increases rapidly as soon as a characteristic begins to exceed one of its operating ratings.



## 5.6 Relationship between ratings and operating requirements



## 5.7 Guidelines for ratings and operating requirements

Follow these guidelines for ratings and operating requirements:

- Never exceed any of the chip's ratings.
- During normal operation, don't exceed any of the chip's operating requirements.
- If you must exceed an operating requirement at times other than during normal operation (for example, during power sequencing), limit the duration as much as possible.

## 5.8 Definition: Typical value

A *typical value* is a specified value for a technical characteristic that:

- Lies within the range of values specified by the operating behavior
- Given the typical manufacturing process, is representative of that characteristic during operation when you meet the typical-value conditions or other specified conditions

Typical values are provided as design guidelines and are neither tested nor guaranteed.

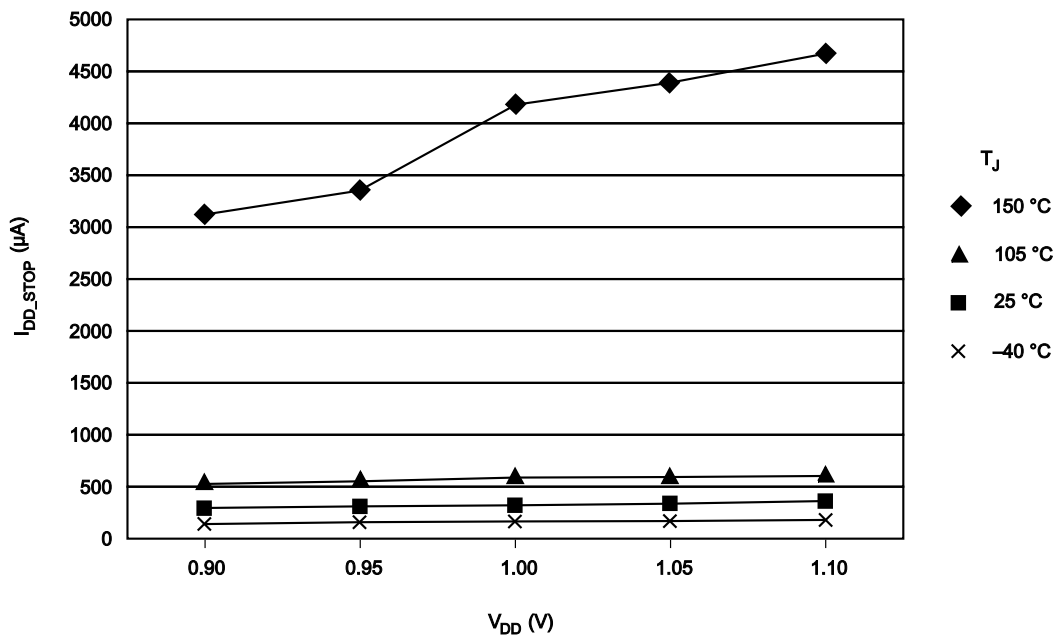
### 5.8.1 Example 1

This is an example of an operating behavior that includes a typical value:

| Symbol   | Description                              | Min. | Typ. | Max. | Unit          |
|----------|--|------|------|------|---------------|
| $I_{WP}$ | Digital I/O weak pullup/pulldown current | 10   | 70   | 130  | $\mu\text{A}$ |

### 5.8.2 Example 2

This is an example of a chart that shows typical values for various voltage and temperature conditions:



## 5.9 Typical value conditions

Typical values assume you meet the following conditions (or other conditions as specified):

| Symbol   | Description          | Value | Unit               |
|----------|----------------------|-------|--------------------|
| $T_A$    | Ambient temperature  | 25    | $^{\circ}\text{C}$ |
| $V_{DD}$ | 3.3 V supply voltage | 3.3   | V                  |

## 6 Ratings

### 6.1 Thermal handling ratings

| Symbol           | Description                   | Min. | Max. | Unit | Notes |
|------------------|-------------------------------|------|------|------|-------|
| T <sub>STG</sub> | Storage temperature           | -55  | 150  | °C   | 1     |
| T <sub>SDR</sub> | Solder temperature, lead-free | —    | 260  | °C   | 2     |

1. Determined according to JEDEC Standard JESD22-A103, *High Temperature Storage Life*.
2. Determined according to IPC/JEDEC Standard J-STD-020, *Moisture/Reflow Sensitivity Classification for Nonhermetic Solid State Surface Mount Devices*.

### 6.2 Moisture handling ratings

| Symbol | Description                | Min. | Max. | Unit | Notes |
|--------|----------------------------|------|------|------|-------|
| MSL    | Moisture sensitivity level | —    | 3    | —    | 1     |

1. Determined according to IPC/JEDEC Standard J-STD-020, *Moisture/Reflow Sensitivity Classification for Nonhermetic Solid State Surface Mount Devices*.

### 6.3 ESD handling ratings

Although damage from electrostatic discharge (ESD) is much less common on these devices than on early CMOS circuits, use normal handling precautions to avoid exposure to static discharge. Qualification tests are performed to ensure that these devices can withstand exposure to reasonable levels of static without suffering any permanent damage.

All ESD testing is in conformity with AEC-Q100 Stress Test Qualification. During the device qualification ESD stresses were performed for the human body model (HBM), the machine model (MM), and the charge device model (CDM).

All latch-up testing is in conformity with AEC-Q100 Stress Test Qualification.

A device is defined as a failure if after exposure to ESD pulses, the device no longer meets the device specification. Complete DC parametric and functional testing is performed as per the applicable device specification at room temperature followed by hot temperature, unless specified otherwise in the device specification.

**Table 4. ESD/Latch-up Protection**

| Characteristic <sup>1</sup>                      | Min   | Max   | Unit |
|--|-------|-------|------|
| ESD for Human Body Model (HBM)                   | -2000 | +2000 | V    |
| ESD for Machine Model (MM)                       | -200  | +200  | V    |
| ESD for Charge Device Model (CDM)                | -500  | +500  | V    |
| Latch-up current at TA= 85°C (I <sub>LAT</sub> ) | -100  | +100  | mA   |

1. Parameter is achieved by design characterization on a small sample size from typical devices under typical conditions unless otherwise noted.

## 6.4 Voltage and current operating ratings

Absolute maximum ratings are stress ratings only, and functional operation at the maxima is not guaranteed. Stress beyond the limits specified in [Table 5](#) may affect device reliability or cause permanent damage to the device.

### NOTE

If the voltage difference between VDD and VDDA or VSS and VSSA is too large, then the device can malfunction or be permanently damaged. The restrictions are:

- **At all times, it is recommended that the voltage difference of VDD - VSS be within +/-200 mV of the voltage difference of VDDA - VSSA,** including power ramp up and ramp down; see additional requirements in [Table 6](#). Failure to do this recommendation may result in a harmful leakage current through the substrate, between the VDD/VSS and VDDA/VSSA pad cells. This harmful leakage current could prevent the device from operating after power up.
- **At all times, to avoid permanent damage to the part, the voltage difference between VDD and VDDA must absolutely be limited to 0.3 V,** See [Table 5](#).
- **At all times, to avoid permanent damage to the part, the voltage difference between VSS and VSSA must absolutely be limited to 0.3 V,** See [Table 5](#).

**Table 5. Absolute Maximum Ratings (V<sub>SS</sub> = 0 V, V<sub>SSA</sub> = 0 V)**

| Characteristic              | Symbol           | Notes <sup>1</sup> | Min  | Max | Unit |
|-----------------------------|------------------|--------------------|------|-----|------|
| Supply Voltage Range        | V <sub>DD</sub>  |                    | -0.3 | 4.0 | V    |
| Analog Supply Voltage Range | V <sub>DDA</sub> |                    | -0.3 | 4.0 | V    |

*Table continues on the next page...*

**Table 5. Absolute Maximum Ratings ( $V_{SS} = 0\text{ V}$ ,  $V_{SSA} = 0\text{ V}$ ) (continued)**

| Characteristic  | Symbol             | Notes <sup>1</sup> | Min  | Max        | Unit |
|---|--------------------|--------------------|------|------------|------|
| ADC High Voltage Reference  | $V_{REFHX}$        |                    | -0.3 | 4.0        | V    |
| Voltage difference $V_{DD}$ to $V_{DDA}$  | $\Delta V_{DD}$    |                    | -0.3 | 0.3        | V    |
| Voltage difference $V_{SS}$ to $V_{SSA}$  | $\Delta V_{SS}$    |                    | -0.3 | 0.3        | V    |
| Digital Input Voltage Range   | $V_{IN}$           | Pin Group 1        | -0.3 | 5.5        | V    |
| $\overline{\text{RESET}}$ Input Voltage Range                                     | $V_{IN\_RESET}$    | Pin Group 2        | -0.3 | 4.0        | V    |
| Oscillator Input Voltage Range  | $V_{OSC}$          | Pin Group 4        | -0.4 | 4.0        | V    |
| Analog Input Voltage Range  | $V_{INA}$          | Pin Group 3        | -0.3 | 4.0        | V    |
| Input clamp current, per pin ( $V_{IN} < V_{SS} - 0.3\text{ V}$ ) <sup>2, 3</sup> | $I_{IC}$           |                    | —    | -5.0       | mA   |
| Output clamp current, per pin <sup>4</sup>  | $V_{OC}$           |                    | —    | $\pm 20.0$ | mA   |
| Contiguous pin DC injection current—regional limit sum of 16 contiguous pins      | $I_{ICont}$        |                    | -25  | 25         | mA   |
| Output Voltage Range (normal push-pull mode)                                      | $V_{OUT}$          | Pin Group 1, 2     | -0.3 | 4.0        | V    |
| Output Voltage Range (open drain mode)  | $V_{OUTOD}$        | Pin Group 1        | -0.3 | 5.5        | V    |
| $\overline{\text{RESET}}$ Output Voltage Range                                    | $V_{OUTOD\_RESET}$ | Pin Group 2        | -0.3 | 4.0        | V    |
| DAC Output Voltage Range  | $V_{OUT\_DAC}$     | Pin Group 5        | -0.3 | 4.0        | V    |
| Ambient Temperature   | $T_A$              | V temperature      | -40  | 105        | °C   |
| Junction Temperature  | $T_J$              | V temperature      | -40  | 125        | °C   |
| Storage Temperature Range (Extended Industrial)                                   | $T_{STG}$          |                    | -55  | 150        | °C   |

### 1. Default Mode

- Pin Group 1: GPIO, TDI, TDO, TMS, TCK
- Pin Group 2:  $\overline{\text{RESET}}$
- Pin Group 3: ADC and Comparator Analog Inputs
- Pin Group 4: XTAL, EXTAL
- Pin Group 5: DAC analog output

### 2. Continuous clamp current

3. All 5 volt tolerant digital I/O pins are internally clamped to  $V_{SS}$  through a ESD protection diode. There is no diode connection to  $V_{DD}$ . If  $V_{IN}$  greater than  $V_{DIO\_MIN}$  ( $= V_{SS} - 0.3\text{ V}$ ) is observed, then there is no need to provide current limiting resistors at the pads. If this limit cannot be observed, then a current limiting resistor is required.

4. I/O is configured as push-pull mode.

## 7 General

### 7.1 General characteristics

The device is fabricated in high-density, low-power CMOS with 5 V–tolerant TTL-compatible digital inputs, except for the  $\overline{\text{RESET}}$  pin which is 3.3V only. The term “5 V–tolerant” refers to the capability of an I/O pin, built on a 3.3 V–compatible process technology, to withstand a voltage up to 5.5 V without damaging the device.

5 V-tolerant I/O is desirable because many systems have a mixture of devices designed for 3.3 V and 5 V power supplies. In such systems, a bus may carry both 3.3 V- and 5 V-compatible I/O voltage levels (a standard 3.3 V I/O is designed to receive a maximum voltage of  $3.3\text{ V} \pm 10\%$  during normal operation without causing damage). This 5 V-tolerant capability therefore offers the power savings of 3.3 V I/O levels combined with the ability to receive 5 V levels without damage.

Absolute maximum ratings in [Table 5](#) are stress ratings only, and functional operation at the maximum is not guaranteed. Stress beyond these ratings may affect device reliability or cause permanent damage to the device.

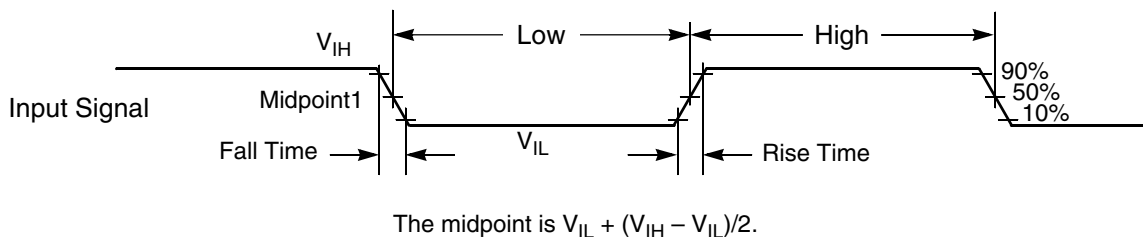
Unless otherwise stated, all specifications within this chapter apply to the temperature range specified in [Table 5](#) over the following supply ranges:  $V_{SS}=V_{SSA}=0\text{V}$ ,  $V_{DD}=V_{DDA}=3.0\text{V}$  to  $3.6\text{V}$ ,  $CL \leq 50\text{ pF}$ ,  $f_{OP}=50\text{MHz}$ .

### CAUTION

This device contains protective circuitry to guard against damage due to high static voltage or electrical fields. However, normal precautions are advised to avoid application of any voltages higher than maximum-rated voltages to this high-impedance circuit. Reliability of operation is enhanced if unused inputs are tied to an appropriate voltage level.

## 7.2 AC electrical characteristics

Tests are conducted using the input levels specified in [Table 8](#). Unless otherwise specified, propagation delays are measured from the 50% to the 50% point, and rise and fall times are measured between the 10% and 90% points, as shown in [Figure 3](#).



**Figure 3. Input signal measurement references**

[Figure 4](#) shows the definitions of the following signal states:

- Active state, when a bus or signal is driven, and enters a low impedance state
- Tri-stated, when a bus or signal is placed in a high impedance state
- Data Valid state, when a signal level has reached  $V_{OL}$  or  $V_{OH}$
- Data Invalid state, when a signal level is in transition between  $V_{OL}$  and  $V_{OH}$

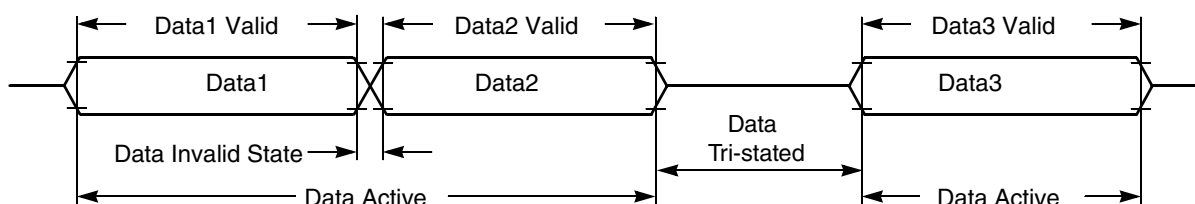


Figure 4. Signal states

## 7.3 Nonswitching electrical specifications

### 7.3.1 Voltage and current operating requirements

This section includes information about recommended operating conditions.

#### NOTE

Recommended  $V_{DD}$  ramp rate is between 1 ms and 200 ms.

**Table 6. Recommended Operating Conditions ( $V_{REFLX}=0V$ ,  $V_{SSA}=0V$ ,  $V_{SS}=0V$ )**

| Characteristic  | Symbol                     | Notes <sup>1</sup>                 | Min                 | Typ | Max                  | Unit |
|---|----------------------------|------------------------------------|---------------------|-----|----------------------|------|
| Supply voltage  | $V_{DD}$ , $V_{DDA}$       |                                    | 2.7                 | 3.3 | 3.6                  | V    |
| ADC (Cyclic) Reference Voltage High   | $V_{REFHA}$<br>$V_{REFHB}$ |                                    | $V_{DDA}-0.6$       |     | $V_{DDA}$            | V    |
| Voltage difference $V_{DD}$ to $V_{DDA}$  | $\Delta V_{DD}$            |                                    | -0.1                | 0   | 0.1                  | V    |
| Voltage difference $V_{SS}$ to $V_{SSA}$  | $\Delta V_{SS}$            |                                    | -0.1                | 0   | 0.1                  | V    |
| Input Voltage High (digital inputs)   | $V_{IH}$                   | Pin Group 1                        | $0.7 \times V_{DD}$ |     | 5.5                  | V    |
| RESET Voltage High  | $V_{IH\_RESET}$            | Pin Group 2                        | $0.7 \times V_{DD}$ | —   | $V_{DD}$             | V    |
| Input Voltage Low (digital inputs)  | $V_{IL}$                   | Pin Groups 1, 2                    |                     |     | $0.35 \times V_{DD}$ | V    |
| Oscillator Input Voltage High<br>XTAL driven by an external clock source  | $V_{IHOSC}$                | Pin Group 4                        | 2.0                 |     | $V_{DD} + 0.3$       | V    |
| Oscillator Input Voltage Low  | $V_{ILOSC}$                | Pin Group 4                        | -0.3                |     | 0.8                  | V    |
| Output Source Current High (at $V_{OH}$ min.)<br>• Programmed for low drive strength<br>• Programmed for high drive strength                | $I_{OH}$                   | Pin Group 1<br>Pin Group 1         | —<br>—              |     | -2<br>-9             | mA   |
| Output Source Current Low (at $V_{OL}$ max.) <sup>2, 3</sup><br>• Programmed for low drive strength<br>• Programmed for high drive strength | $I_{OL}$                   | Pin Groups 1, 2<br>Pin Groups 1, 2 | —<br>—              |     | 2<br>9               | mA   |

#### 1. Default Mode

- Pin Group 1: GPIO, TDI, TDO, TMS, TCK
- Pin Group 2: RESET
- Pin Group 3: ADC and Comparator Analog Inputs
- Pin Group 4: XTAL, EXTAL
- Pin Group 5: DAC analog output

## General

- Total IO sink current and total IO source current are limited to 75 mA each
- Contiguous pin DC injection current of regional limit—including sum of negative injection currents or sum of positive injection currents of 16 contiguous pins—is 25 mA.

## 7.3.2 LVD and POR operating requirements

**Table 7. PMC Low-Voltage Detection (LVD) and Power-On Reset (POR) Parameters**

| Characteristic                   | Symbol | Min | Typ  | Max | Unit |
|----------------------------------|--------|-----|------|-----|------|
| POR Assert Voltage <sup>1</sup>  | POR    |     | 2.0  |     | V    |
| POR Release Voltage <sup>2</sup> | POR    |     | 2.7  |     | V    |
| LVI_2p7 Threshold Voltage        |        |     | 2.73 |     | V    |
| LVI_2p2 Threshold Voltage        |        |     | 2.23 |     | V    |

- During 3.3-volt  $V_{DD}$  power supply ramp down
- During 3.3-volt  $V_{DD}$  power supply ramp up (gated by LVI\_2p7)

## 7.3.3 Voltage and current operating behaviors

The following table provides information about power supply requirements and I/O pin characteristics.

**Table 8. DC Electrical Characteristics at Recommended Operating Conditions**

| Characteristic  | Symbol          | Notes                      | Min                        | Typ | Max                        | Unit       | Test Conditions   |
|---|-----------------|----------------------------|----------------------------|-----|----------------------------|------------|---|
| Output Voltage High                                       | $V_{OH}$        | Pin Group 1                | $V_{DD} - 0.5$             | —   | —                          | V          | $I_{OH} = I_{OHmax}$                                      |
| Output Voltage Low  | $V_{OL}$        | Pin Groups 1, 2            | —                          | —   | 0.5                        | V          | $I_{OL} = I_{OLmax}$                                      |
| Digital Input Current High<br>pull-up enabled or disabled | $I_{IH}$        | Pin Group 1<br>Pin Group 2 | —                          | 0   | +/- 2.5                    | $\mu A$    | $V_{IN} = 2.4 V$ to 5.5 V<br>$V_{IN} = 2.4 V$ to $V_{DD}$ |
| Comparator Input Current High                             | $I_{IHC}$       | Pin Group 3                | —                          | 0   | +/- 2                      | $\mu A$    | $V_{IN} = V_{DDA}$  |
| Oscillator Input Current High                             | $I_{IHOSC}$     | Pin Group 3                | —                          | 0   | +/- 2                      | $\mu A$    | $V_{IN} = V_{DDA}$  |
| Internal Pull-Up Resistance                               | $R_{Pull-Up}$   |                            | 20                         | —   | 50                         | k $\Omega$ | —   |
| Internal Pull-Down Resistance                             | $R_{Pull-Down}$ |                            | 20                         | —   | 50                         | k $\Omega$ | —   |
| Comparator Input Current Low                              | $I_{ILC}$       | Pin Group 3                | —                          | 0   | +/- 2                      | $\mu A$    | $V_{IN} = 0V$   |
| Oscillator Input Current Low                              | $I_{ILOSC}$     | Pin Group 3                | —                          | 0   | +/- 2                      | $\mu A$    | $V_{IN} = 0V$   |
| DAC Output Voltage Range                                  | $V_{DAC}$       | Pin Group 5                | Typically $V_{SSA} + 40mV$ | —   | Typically $V_{DDA} - 40mV$ | V          | $R_{LD} = 3 k\Omega$    $C_{LD} = 400 pF$                 |

Table continues on the next page...



**Table 8. DC Electrical Characteristics at Recommended Operating Conditions (continued)**

| Characteristic                                      | Symbol           | Notes              | Min                    | Typ | Max   | Unit | Test Conditions |
|---|------------------|--------------------|------------------------|-----|-------|------|-----------------|
| Output Current <sup>1</sup><br>High Impedance State | I <sub>OZ</sub>  | Pin Groups<br>1, 2 | —                      | 0   | +/- 1 | μA   | —               |
| Schmitt Trigger Input<br>Hysteresis                 | V <sub>HYS</sub> | Pin Groups<br>1, 2 | 0.06 x V <sub>DD</sub> | —   | —     | V    | —               |

**1. Default Mode**

- Pin Group 1: GPIO, TDI, TDO, TMS, TCK
- Pin Group 2:  $\overline{\text{RESET}}$
- Pin Group 3: ADC and Comparator Analog Inputs
- Pin Group 4: XTAL, EXTAL
- Pin Group 5: DAC

**7.3.4 Power mode transition operating behaviors**

Parameters listed are guaranteed by design.

**NOTE**

All address and data buses described here are internal.

**Table 9. Reset, stop, wait, and interrupt timing**

| Characteristic  | Symbol           | Typical Min                    | Typical Max | Unit | See Figure |
|---|------------------|--------------------------------|-------------|------|------------|
| Minimum $\overline{\text{RESET}}$ Assertion Duration                        | t <sub>RA</sub>  | 16 <sup>1</sup>                | —           | ns   | —          |
| $\overline{\text{RESET}}$ deassertion to First Address Fetch                | t <sub>RDA</sub> | 865 x T <sub>OSC</sub> + 8 x T | —           | ns   | —          |
| Delay from Interrupt Assertion to Fetch of first instruction (exiting Stop) | t <sub>IF</sub>  | 361.3                          | 570.9       | ns   | —          |

1. If the  $\overline{\text{RESET}}$  pin filter is enabled by setting the RST\_FLT bit in the SIM\_CTRL register to 1, the minimum pulse assertion must be greater than 21 ns. Recommended a capacitor of up to 0.1 μF on  $\overline{\text{RESET}}$ .

**NOTE**

In [Table 9](#), T = system clock cycle and T<sub>OSC</sub> = oscillator clock cycle. For an operating frequency of 50MHz, T=20 ns. At 4 MHz (used coming out of reset and stop modes), T=250 ns.

**Table 10. Power mode transition behavior**

| Symbol           | Description   | Min   | Max     | Unit | Notes <sup>1</sup> |
|------------------|---|-------|---------|------|--------------------|
| T <sub>POR</sub> | After a POR event, the amount of delay from when V <sub>DD</sub> reaches 2.7 V to when the first instruction executes (over the operating temperature range). | 199   | 225     | μs   |                    |
|                  | STOP mode to RUN mode   | 6.79  | 7.27.31 | μs   | <a href="#">2</a>  |
|                  | LPS mode to LPRUN mode  | 240.9 | 551     | μs   | <a href="#">3</a>  |

Table continues on the next page...

**Table 10. Power mode transition behavior (continued)**

| Symbol | Description                 | Min   | Max   | Unit | Notes <sup>1</sup> |
|--------|-----------------------------|-------|-------|------|--------------------|
|        | VLPS mode to VLPRUN mode    | 1424  | 1459  | μs   | 4                  |
|        | WAIT mode to RUN mode       | 0.570 | 0.620 | μs   | 5                  |
|        | LPWAIT mode to LPRUN mode   | 237.2 | 554   | μs   | 3                  |
|        | VLPWAIT mode to VLPRUN mode | 1413  | 1500  | μs   | 4                  |

1. Wakeup times are measured from GPIO toggle for wakeup till GPIO toggle at the wakeup interrupt subroutine from respective stop/wait mode.
2. Clock configuration: CPU clock=4 MHz. System clock source is 8 MHz IRC in normal mode.
3. CPU clock = 200 KHz and 8 MHz IRC on standby. Exit by an interrupt on PORTC GPIO.
4. Using 64 KHz external clock; CPU Clock = 32KHz. Exit by an interrupt on PortC GPIO.
5. Clock configuration: CPU and system clocks= 50 MHz. Bus Clock = 50 MHz. .Exit by interrupt on PORTC GPIO

### 7.3.5 Power consumption operating behaviors

**Table 11. Current Consumption (mA)**

| Mode          | Maximum Frequency | Conditions  | Typical at 3.3 V, 25°C       |                  | Maximum at 3.6 V, 105°C      |                  |
|---------------|-------------------|---|------------------------------|------------------|------------------------------|------------------|
|               |                   |   | I <sub>DD</sub> <sup>1</sup> | I <sub>DDA</sub> | I <sub>DD</sub> <sup>1</sup> | I <sub>DDA</sub> |
| RUN           | 50 MHz            | <ul style="list-style-type: none"> <li>• 50 MHz Core and Peripheral clock</li> <li>• Regulators are in full regulation</li> <li>• Relaxation Oscillator on</li> <li>• PLL powered on</li> <li>• Continuous MAC instructions with fetches from Program Flash</li> <li>• All peripheral modules enabled. TMRs and SCIs using 1X peripheral clock</li> <li>• ADC/DAC (only one 12-bit DAC and all 6-bit DACs) powered on and clocked</li> <li>• Comparator powered on</li> </ul> | 27.6                         | 9.9              | 43.5                         | 13.2             |
| WAIT          | 50 MHz            | <ul style="list-style-type: none"> <li>• 50 MHz Core and Peripheral clock</li> <li>• Regulators are in full regulation</li> <li>• Relaxation Oscillator on</li> <li>• PLL powered on</li> <li>• Processor Core in WAIT state</li> <li>• All Peripheral modules enabled.</li> <li>• TMRs and SCIs using 1X Clock</li> <li>• ADC/DAC (single 12-bit DAC, all 6-bit DACs), Comparator powered off</li> </ul>   | 24.0                         | —                | 41.3                         | —                |
| STOP          | 4 MHz             | <ul style="list-style-type: none"> <li>• 4 MHz Device Clock</li> <li>• Regulators are in full regulation</li> <li>• Relaxation Oscillator on</li> <li>• PLL powered off</li> <li>• Processor Core in STOP state</li> <li>• All peripheral module and core clocks are off</li> <li>• ADC/DAC/Comparator powered off</li> </ul>   | 6.3                          | —                | 19.4                         | —                |
| LPRUN (LsRUN) | 2 MHz             | <ul style="list-style-type: none"> <li>• 200 kHz Device Clock from Relaxation Oscillator's (ROSC) low speed clock</li> </ul>  | 2.8                          | 3.1              | 11.1                         | 4.0              |

*Table continues on the next page...*

Table 11. Current Consumption (mA) (continued)

| Mode            | Maximum Frequency | Conditions   | Typical at 3.3 V, 25°C       |                  | Maximum at 3.6 V, 105°C      |                  |
|-----------------|-------------------|--|------------------------------|------------------|------------------------------|------------------|
|                 |                   |  | I <sub>DD</sub> <sup>1</sup> | I <sub>DDA</sub> | I <sub>DD</sub> <sup>1</sup> | I <sub>DDA</sub> |
|                 |                   | <ul style="list-style-type: none"> <li>• ROSC in standby mode</li> <li>• Regulators are in standby</li> <li>• PLL disabled</li> <li>• Repeat NOP instructions</li> <li>• All peripheral modules enabled, except NanoEdge and cyclic ADCs. One 12-bit DAC and all 6-bit DACs enabled.</li> <li>• Simple loop with running from platform instruction buffer</li> </ul>   |                              |                  |                              |                  |
| LPWAIT (LsWAIT) | 2 MHz             | <ul style="list-style-type: none"> <li>• 200 kHz Device Clock from Relaxation Oscillator's (ROSC) low speed clock</li> <li>• ROSC in standby mode</li> <li>• Regulators are in standby</li> <li>• PLL disabled</li> <li>• All peripheral modules enabled, except NanoEdge and cyclic ADCs. One 12-bit DAC and all 6-bit DACs enabled.<sup>1</sup></li> <li>• Processor core in wait mode</li> </ul>  | 2.7                          | 3.1              | 11.1                         | 4.0              |
| LPSTOP (LsSTOP) | 2 MHz             | <ul style="list-style-type: none"> <li>• 200 kHz Device Clock from Relaxation Oscillator's (ROSC) low speed clock</li> <li>• ROSC in standby mode</li> <li>• Regulators are in standby</li> <li>• PLL disabled</li> <li>• Only PITs and COP enabled; other peripheral modules disabled and clocks gated off<sup>1</sup></li> <li>• Processor core in stop mode</li> </ul>  | 1.2                          | —                | 9.1                          | —                |
| VLPRUN          | 200 kHz           | <ul style="list-style-type: none"> <li>• 32 kHz Device Clock</li> <li>• Clocked by a 32 kHz external clock source</li> <li>• Oscillator in power down</li> <li>• All ROSCs disabled</li> <li>• Large regulator is in standby</li> <li>• Small regulator is disabled</li> <li>• PLL disabled</li> <li>• Repeat NOP instructions</li> <li>• All peripheral modules, except COP and EWM, disabled and clocks gated off</li> <li>• Simple loop running from platform instruction buffer</li> </ul> | 0.7                          | —                | 7.5                          | —                |
| VLPWAIT         | 200 kHz           | <ul style="list-style-type: none"> <li>• 32 kHz Device Clock</li> <li>• Clocked by a 32 kHz external clock source</li> <li>• Oscillator in power down</li> <li>• All ROSCs disabled</li> <li>• Large regulator is in standby</li> <li>• Small regulator is disabled</li> <li>• PLL disabled</li> <li>• All peripheral modules, except COP, disabled and clocks gated off</li> <li>• Processor core in wait mode</li> </ul>   | 0.7                          | —                | 7.5                          | —                |
| VLPSTOP         | 200 kHz           | <ul style="list-style-type: none"> <li>• 32 kHz Device Clock</li> <li>• Clocked by a 32 kHz external clock source</li> <li>• Oscillator in power down</li> <li>• All ROSCs disabled</li> <li>• Large regulator is in standby.</li> <li>• Small regulator is disabled.</li> </ul>   | 0.7                          | —                | 7.5                          | —                |

Table 11. Current Consumption (mA)

| Mode | Maximum Frequency | Conditions   | Typical at 3.3 V, 25°C       |                  | Maximum at 3.6 V, 105°C      |                  |
|------|-------------------|--|------------------------------|------------------|------------------------------|------------------|
|      |                   |  | I <sub>DD</sub> <sup>1</sup> | I <sub>DDA</sub> | I <sub>DD</sub> <sup>1</sup> | I <sub>DDA</sub> |
|      |                   | <ul style="list-style-type: none"> <li>• PLL disabled</li> <li>• All peripheral modules, except COP, disabled and clocks gated off</li> <li>• Processor core in stop mode</li> </ul> |                              |                  |                              |                  |

1. No output switching, all ports configured as inputs, all inputs low, no DC loads.

### 7.3.6 Designing with radiated emissions in mind

To find application notes that provide guidance on designing your system to minimize interference from radiated emissions:

1. Go to [www.freescale.com](http://www.freescale.com).
2. Perform a keyword search for “EMC design.”

### 7.3.7 Capacitance attributes

Table 12. Capacitance attributes

| Description        | Symbol           | Min. | Typ. | Max. | Unit |
|--------------------|------------------|------|------|------|------|
| Input capacitance  | C <sub>IN</sub>  | —    | 10   | —    | pF   |
| Output capacitance | C <sub>OUT</sub> | —    | 10   | —    | pF   |

## 7.4 Switching specifications

### 7.4.1 Device clock specifications

Table 13. Device clock specifications

| Symbol             | Description   | Min.       | Max.     | Unit | Notes |
|--------------------|---|------------|----------|------|-------|
| Normal run mode    |   |            |          |      |       |
| f <sub>SYCLK</sub> | Device (system and core) clock frequency <ul style="list-style-type: none"> <li>• using relaxation oscillator</li> <li>• using external clock source</li> </ul> | 0.001<br>0 | 50<br>50 | MHz  |       |
| f <sub>BUS</sub>   | Bus clock   | —          | 50       | MHz  |       |

## 7.4.2 General switching timing

Table 14. Switching timing

| Symbol | Description   | Min | Max  | Unit                      | Notes |
|--------|---|-----|------|---------------------------|-------|
|        | GPIO pin interrupt pulse width <sup>1</sup><br>Synchronous path                               | 1.5 |      | IP Bus<br>Clock<br>Cycles |       |
|        | Port rise and fall time (high drive strength), Slew disabled 2.7<br>$\leq V_{DD} \leq 3.6V$ . | 5.5 | 15.1 | ns                        |       |
|        | Port rise and fall time (high drive strength), Slew enabled 2.7<br>$\leq V_{DD} \leq 3.6V$ .  | 1.5 | 6.8  | ns                        | 2     |
|        | Port rise and fall time (low drive strength). Slew disabled . 2.7<br>$\leq V_{DD} \leq 3.6V$  | 8.2 | 17.8 | ns                        |       |
|        | Port rise and fall time (low drive strength). Slew enabled . 2.7<br>$\leq V_{DD} \leq 3.6V$   | 3.2 | 9.2  | ns                        | 3     |

1. Applies to a pin only when it is configured as GPIO and configured to cause an interrupt by appropriately programming GPIO<sub>n</sub>\_IPOLR and GPIO<sub>n</sub>\_IENR.
2. 75 pF load
3. 15 pF load

## 7.5 Thermal specifications

### 7.5.1 Thermal operating requirements

Table 15. Thermal operating requirements

| Symbol         | Description              | Min | Max | Unit |
|----------------|--------------------------|-----|-----|------|
| T <sub>J</sub> | Die junction temperature | -40 | 125 | °C   |
| T <sub>A</sub> | Ambient temperature      | -40 | 105 | °C   |

### 7.5.2 Thermal attributes

This section provides information about operating temperature range, power dissipation, and package thermal resistance. Power dissipation on I/O pins is usually small compared to the power dissipation in on-chip logic and voltage regulator circuits, and it is user-determined rather than being controlled by the MCU design. To account for P<sub>I/O</sub> in power calculations, determine the difference between actual pin voltage and V<sub>SS</sub> or V<sub>DD</sub> and multiply by the pin current for each I/O pin. Except in cases of unusually high pin current (heavy loads), the difference between pin voltage and V<sub>SS</sub> or V<sub>DD</sub> is very small.

## General

See [Thermal design considerations](#) for more detail on thermal design considerations.

| Board type        | Symbol           | Description   | 32 QFN | 32 LQFP | 48 LQFP | Unit | Notes |
|-------------------|------------------|---|--------|---------|---------|------|-------|
| Single-layer (1s) | $R_{\theta JA}$  | Thermal resistance, junction to ambient (natural convection)                                    | 96     | 83      | 70      | °C/W | ,     |
| Four-layer (2s2p) | $R_{\theta JA}$  | Thermal resistance, junction to ambient (natural convection)                                    | 33     | 55      | 46      | °C/W | 1,    |
| Single-layer (1s) | $R_{\theta JMA}$ | Thermal resistance, junction to ambient (200 ft./min. air speed)                                | 80     | 70      | 57      | °C/W | 1,2   |
| Four-layer (2s2p) | $R_{\theta JMA}$ | Thermal resistance, junction to ambient (200 ft./min. air speed)                                | 27     | 49      | 39      | °C/W | 1,2   |
| —                 | $R_{\theta JB}$  | Thermal resistance, junction to board   | 12     | 31      | 23      | °C/W |       |
| —                 | $R_{\theta JC}$  | Thermal resistance, junction to case  | 1.8    | 22      | 17      | °C/W |       |
| —                 | $\Psi_{JT}$      | Thermal characterization parameter, junction to package top outside center (natural convection) | 6      | 5       | 3       | °C/W |       |

1. Junction temperature is a function of die size, on-chip power dissipation, package thermal resistance, mounting site (board) temperature, ambient temperature, air flow, power dissipation of other components on the board, and board thermal resistance.
2. Determined according to JEDEC Standard JESD51-6, *Integrated Circuits Thermal Test Method Environmental Conditions – Forced Convection (Moving Air)* with the board horizontal.

## 8 Peripheral operating requirements and behaviors

### 8.1 Core modules

#### 8.1.1 JTAG timing

Table 16. JTAG timing

| Characteristic             | Symbol   | Min | Max        | Unit | See Figure |
|----------------------------|----------|-----|------------|------|------------|
| TCK frequency of operation | $f_{OP}$ | DC  | SYS_CLK/ 8 | MHz  | Figure 5   |
| TCK clock pulse width      | $t_{PW}$ | 50  | —          | ns   | Figure 5   |
| TMS, TDI data set-up time  | $t_{DS}$ | 5   | —          | ns   | Figure 6   |
| TMS, TDI data hold time    | $t_{DH}$ | 5   | —          | ns   | Figure 6   |
| TCK low to TDO data valid  | $t_{DV}$ | —   | 30         | ns   | Figure 6   |
| TCK low to TDO tri-state   | $t_{TS}$ | —   | 30         | ns   | Figure 6   |

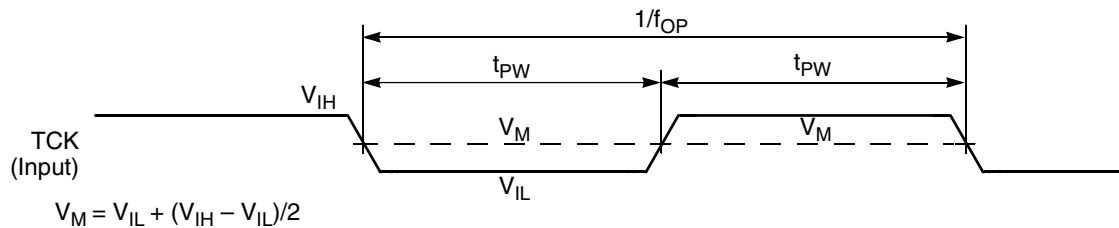


Figure 5. Test clock input timing diagram

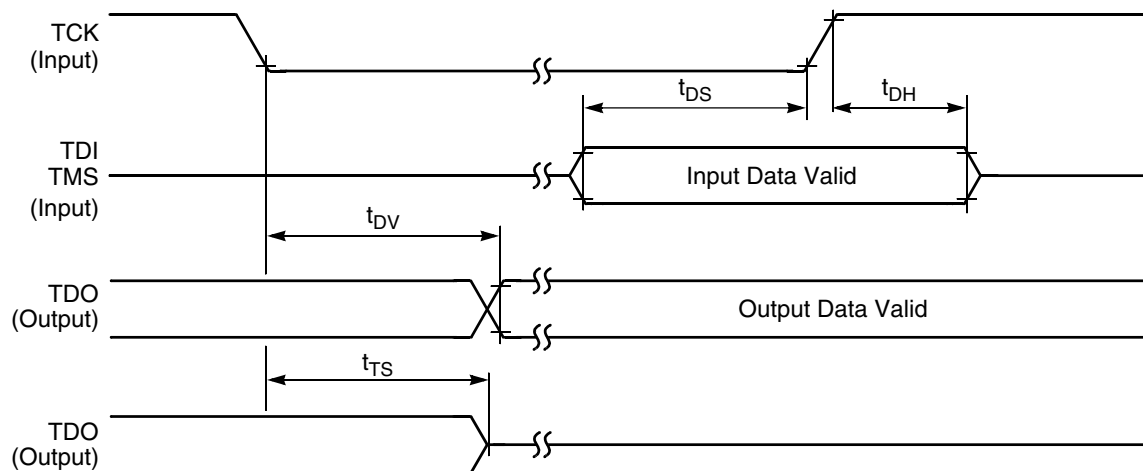


Figure 6. Test access port timing diagram

## 8.2 System modules

### 8.2.1 Voltage regulator specifications

The voltage regulator supplies approximately 1.2 V to the MC56F82xxx's core logic. For proper operations, the voltage regulator requires an external 2.2  $\mu\text{F}$  capacitor on each  $V_{\text{CAP}}$  pin. Ceramic and tantalum capacitors tend to provide better performance tolerances. The output voltage can be measured directly on the  $V_{\text{CAP}}$  pin. The specifications for this regulator are shown in [Table 17](#).

**Table 17. Regulator 1.2 V parameters**

| Characteristic  | Symbol           | Min | Typ  | Max | Unit    |
|---|------------------|-----|------|-----|---------|
| Output Voltage <sup>1</sup>                                   | $V_{\text{CAP}}$ | —   | 1.22 | —   | V       |
| Short Circuit Current <sup>2</sup>                            | $I_{\text{SS}}$  | —   | 600  | —   | mA      |
| Short Circuit Tolerance ( $V_{\text{CAP}}$ shorted to ground) | $T_{\text{RSC}}$ | —   | —    | 30  | Minutes |

1. Value is after trim
2. Guaranteed by design

**Table 18. Bandgap electrical specifications**

| Characteristic                 | Symbol           | Min | Typ  | Max | Unit |
|--------------------------------|------------------|-----|------|-----|------|
| Reference Voltage (after trim) | $V_{\text{REF}}$ | —   | 1.21 | —   | V    |

## 8.3 Clock modules

### 8.3.1 External clock operation timing

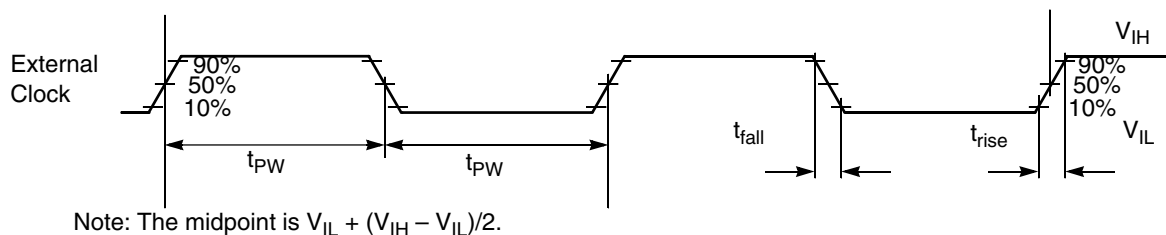
Parameters listed are guaranteed by design.

**Table 19. External clock operation timing requirements**

| Characteristic  | Symbol            | Min                 | Typ | Max                | Unit |
|---|-------------------|---------------------|-----|--------------------|------|
| Frequency of operation (external clock driver) <sup>1</sup> | $f_{\text{osc}}$  | —                   | —   | 50                 | MHz  |
| Clock pulse width <sup>2</sup>                              | $t_{\text{PW}}$   | 8                   | —   | —                  | ns   |
| External clock input rise time <sup>3</sup>                 | $t_{\text{rise}}$ | —                   | —   | 1                  | ns   |
| External clock input fall time <sup>4</sup>                 | $t_{\text{fall}}$ | —                   | —   | 1                  | ns   |
| Input high voltage overdrive by an external clock           | $V_{\text{ih}}$   | $0.85V_{\text{DD}}$ | —   | —                  | V    |
| Input low voltage overdrive by an external clock            | $V_{\text{il}}$   | —                   | —   | $0.3V_{\text{DD}}$ | V    |



1. See [Figure 1](#) for detail on using the recommended connection of an external clock driver.
2. The chip may not function if the high or low pulse width is smaller than 6.25 ns.
3. External clock input rise time is measured from 10% to 90%.
4. External clock input fall time is measured from 90% to 10%.



**Figure 7. External clock timing**

## 8.3.2 Phase-Locked Loop timing

**Table 20. Phase-Locked Loop timing**

| Characteristic                             | Symbol     | Min  | Typ | Max  | Unit    |
|--|------------|------|-----|------|---------|
| PLL input reference frequency <sup>1</sup> | $f_{ref}$  | 8    | 8   | 16   | MHz     |
| PLL output frequency <sup>2</sup>          | $f_{op}$   | 200  | —   | 400  | MHz     |
| PLL lock time <sup>3</sup>                 | $t_{pLLs}$ | 35.5 |     | 73.2 | $\mu$ s |
| Allowed Duty Cycle of input reference      | $t_{dc}$   | 40   | 50  | 60   | %       |

1. An externally supplied reference clock should be as free as possible from any phase jitter for the PLL to work correctly. The PLL is optimized for 8 MHz input.
2. The frequency of the core system clock cannot exceed 50 MHz. If the NanoEdge PWM is available, the PLL output must be set to 400 MHz.
3. This is the time required *after the PLL is enabled* to ensure reliable operation.

## 8.3.3 External crystal or resonator requirement

**Table 21. Crystal or resonator requirement**

| Characteristic         | Symbol     | Min | Typ | Max | Unit |
|------------------------|------------|-----|-----|-----|------|
| Frequency of operation | $f_{XOSC}$ | 4   | 8   | 16  | MHz  |

## 8.3.4 Relaxation Oscillator Timing

**Table 22. Relaxation Oscillator Electrical Specifications**

| Characteristic                      |              | Symbol | Min  | Typ | Max  | Unit |
|-------------------------------------|--------------|--------|------|-----|------|------|
| 8 MHz Output Frequency <sup>1</sup> |              |        |      |     |      |      |
| Run Mode                            | 0°C to 105°C |        | 7.84 | 8   | 8.16 | MHz  |

Table continues on the next page...

**Table 22. Relaxation Oscillator Electrical Specifications  
(continued)**

| Characteristic                               |                             | Symbol | Min  | Typ    | Max  | Unit |
|--|-----------------------------|--------|------|--------|------|------|
|  | -40°C to 105°C              |        | 7.76 | 8      | 8.24 | MHz  |
| Standby Mode (IRC trimmed @ 8 MHz)           | -40°C to 105°C              |        | —    | 405    | —    | kHz  |
| 8 MHz Frequency Variation over 25°C          |                             |        |      |        |      |      |
| RUN Mode                                     | 0°C to 105°C                |        |      | +/-1.5 | +/-2 | %    |
|  | -40°C to 105°C              |        |      | +/-1.5 | +/-3 | %    |
| 200 kHz Output Frequency <sup>1</sup>        |                             |        |      |        |      |      |
| RUN Mode                                     | -40°C to 105°C              |        | 194  | 200    | 206  | %    |
| 200 kHz Output Frequency Variation over 25°C |                             |        |      |        |      |      |
| RUN Mode                                     | 0°C to 85°C                 |        |      | +/-1.5 | +/-2 | %    |
|  | -40°C to 105°C              |        |      | +/-1.5 | +/-3 | %    |
| Stabilization Time                           | 8 MHz output <sup>2</sup>   | tstab  |      | 0.12   |      | μs   |
|  | 200 kHz output <sup>3</sup> |        |      | 10     |      | μs   |
| Output Duty Cycle                            |                             |        | 48   | 50     | 52   | %    |

1. Frequency after factory trim
2. Standby to run mode transition
3. Power down to run mode transition

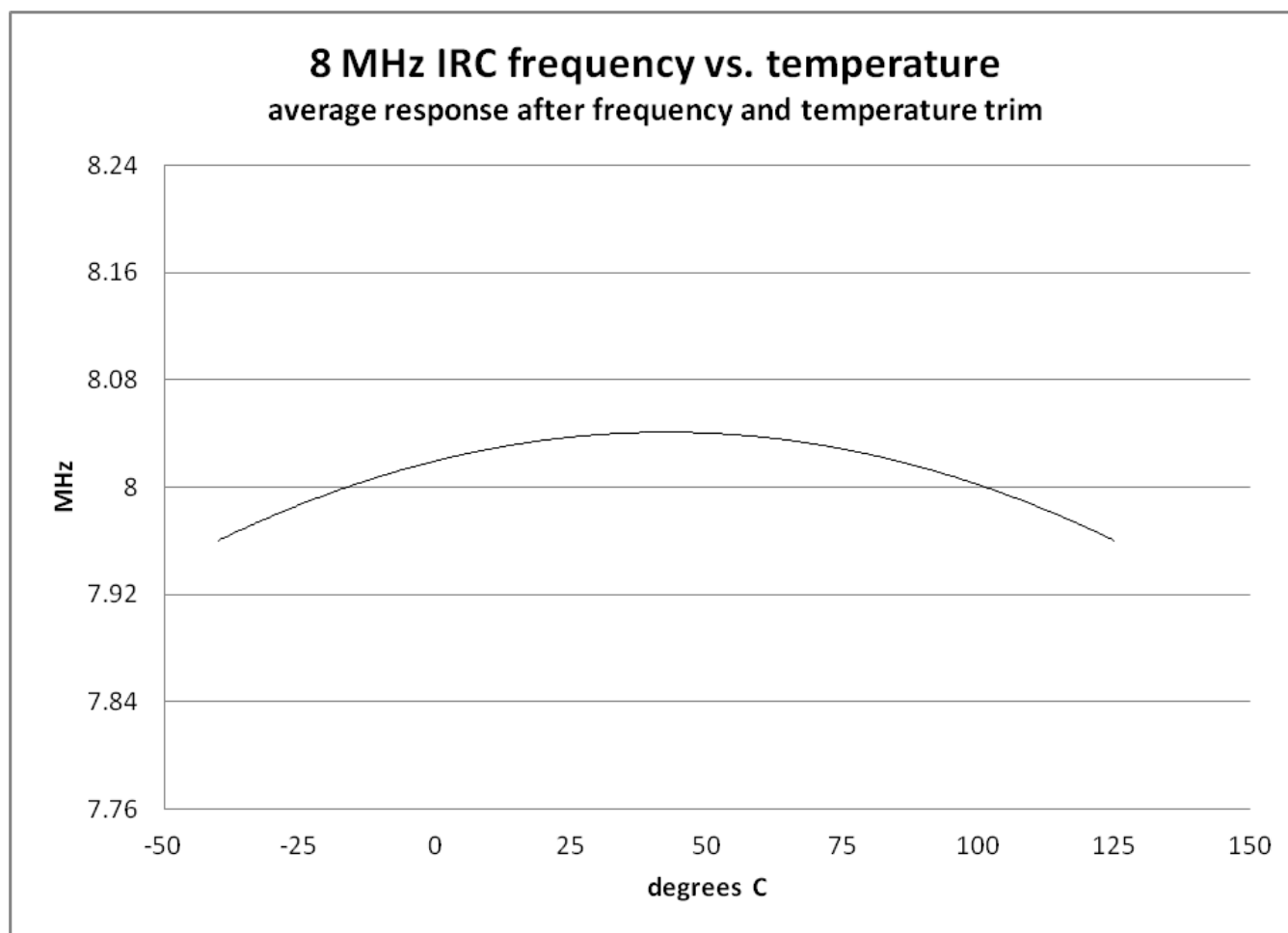


Figure 8. Relaxation Oscillator Temperature Variation (Typical) After Trim (Preliminary)

## 8.4 Memories and memory interfaces

### 8.4.1 Flash electrical specifications

This section describes the electrical characteristics of the flash memory module.

#### 8.4.1.1 Flash timing specifications — program and erase

The following specifications represent the amount of time the internal charge pumps are active and do not include command overhead.

Table 23. NVM program/erase timing specifications

| Symbol       | Description                        | Min. | Typ. | Max. | Unit    | Notes |
|--------------|------------------------------------|------|------|------|---------|-------|
| $t_{hvpgm4}$ | Longword Program high-voltage time | —    | 7.5  | 18   | $\mu$ s | —     |

Table continues on the next page...

**Table 23. NVM program/erase timing specifications (continued)**

| Symbol         | Description                    | Min. | Typ. | Max. | Unit | Notes |
|----------------|--------------------------------|------|------|------|------|-------|
| $t_{hversscr}$ | Sector Erase high-voltage time | —    | 13   | 113  | ms   | 1     |
| $t_{hversall}$ | Erase All high-voltage time    | —    | 52   | 452  | ms   | 1     |

1. Maximum time based on expectations at cycling end-of-life.

### 8.4.1.2 Flash timing specifications — commands

**Table 24. Flash command timing specifications**

| Symbol         | Description                                   | Min. | Typ. | Max. | Unit    | Notes |
|----------------|---|------|------|------|---------|-------|
| $t_{rd1sec1k}$ | Read 1s Section execution time (flash sector) | —    | —    | 60   | $\mu$ s | 1     |
| $t_{pgmchk}$   | Program Check execution time                  | —    | —    | 45   | $\mu$ s | 1     |
| $t_{rdsrc}$    | Read Resource execution time                  | —    | —    | 30   | $\mu$ s | 1     |
| $t_{pgm4}$     | Program Longword execution time               | —    | 65   | 145  | $\mu$ s | —     |
| $t_{ersscr}$   | Erase Flash Sector execution time             | —    | 14   | 114  | ms      | 2     |
| $t_{rd1all}$   | Read 1s All Blocks execution time             | —    | —    | 0.9  | ms      | 1     |
| $t_{rdonce}$   | Read Once execution time                      | —    | —    | 25   | $\mu$ s | 1     |
| $t_{pgmonce}$  | Program Once execution time                   | —    | 65   | —    | $\mu$ s | —     |
| $t_{ersall}$   | Erase All Blocks execution time               | —    | 70   | 575  | ms      | 2     |
| $t_{vfykey}$   | Verify Backdoor Access Key execution time     | —    | —    | 30   | $\mu$ s | 1     |

- Assumes 25 MHz flash clock frequency.
- Maximum times for erase parameters based on expectations at cycling end-of-life.

### 8.4.1.3 Flash high voltage current behaviors

**Table 25. Flash high voltage current behaviors**

| Symbol        | Description   | Min. | Typ. | Max. | Unit |
|---------------|---|------|------|------|------|
| $I_{DD\_PGM}$ | Average current adder during high voltage flash programming operation | —    | 2.5  | 6.0  | mA   |
| $I_{DD\_ERS}$ | Average current adder during high voltage flash erase operation       | —    | 1.5  | 4.0  | mA   |

### 8.4.1.4 Reliability specifications

**Table 26. NVM reliability specifications**

| Symbol           | Description                            | Min. | Typ. <sup>1</sup> | Max. | Unit   | Notes |
|------------------|--|------|-------------------|------|--------|-------|
| Program Flash    |  |      |                   |      |        |       |
| $t_{nvmretp10k}$ | Data retention after up to 10 K cycles | 5    | 50                | —    | years  | —     |
| $t_{nvmretp1k}$  | Data retention after up to 1 K cycles  | 20   | 100               | —    | years  | —     |
| $\eta_{nvmcycp}$ | Cycling endurance                      | 10 K | 50 K              | —    | cycles | 2     |

1. Typical data retention values are based on measured response accelerated at high temperature and derated to a constant 25 °C use profile. Engineering Bulletin EB618 does not apply to this technology. Typical endurance defined in Engineering Bulletin EB619.
2. Cycling endurance represents number of program/erase cycles at  $-40\text{ °C} \leq T_j \leq 125\text{ °C}$ .

## 8.5 Analog

### 8.5.1 12-bit Cyclic Analog-to-Digital Converter (ADC) Parameters

Table 27. 12-bit ADC Electrical Specifications

| Characteristic                               | Symbol                | Min                                       | Typ            | Max                                   | Unit             |
|--|-----------------------|---|----------------|---------------------------------------|------------------|
| <b>Recommended Operating Conditions</b>      |                       |   |                |                                       |                  |
| Supply Voltage <sup>1</sup>                  | VDDA                  | 3   | 3.3            | 3.6                                   | V                |
| VREFH (in external reference mode)           | Vrefhx                | VDDA-0.6                                  |                | VDDA                                  | V                |
| ADC Conversion Clock <sup>2</sup>            | f <sub>ADCCLK</sub>   | 0.1                                       |                | 10                                    | MHz              |
| Conversion Range <sup>3</sup>                | R <sub>AD</sub>       |   |                | V <sub>REFH</sub> - V <sub>REFL</sub> | V                |
| Fully Differential                           |                       | -(V <sub>REFH</sub> - V <sub>REFL</sub> ) |                | V <sub>REFH</sub>                     |                  |
| Single Ended/Unipolar                        |                       | V <sub>REFL</sub>                         |                |                                       |                  |
| Input Voltage Range (per input) <sup>4</sup> | V <sub>ADIN</sub>     | V <sub>REFL</sub>                         |                | V <sub>REFH</sub>                     | V                |
| External Reference                           |                       | 0   |                | V <sub>DDA</sub>                      |                  |
| Internal Reference                           |                       |   |                |                                       |                  |
| <b>Timing and Power</b>                      |                       |   |                |                                       |                  |
| Conversion Time <sup>5</sup>                 | t <sub>ADC</sub>      |   | 8              |                                       | ADC Clock Cycles |
| ADC Power-Up Time (from adc_pdn)             | t <sub>ADPU</sub>     |   | 13             |                                       | ADC Clock Cycles |
| ADC RUN Current (per ADC block)              | I <sub>ADRUN</sub>    |   | 1.8            |                                       | mA               |
| ADC Powerdown Current (adc_pdn enabled)      | I <sub>ADPWRDWN</sub> |   | 0.1            |                                       | μA               |
| V <sub>REFH</sub> Current (in external mode) | I <sub>VREFH</sub>    |   | 190            | 225                                   | μA               |
| <b>Accuracy (DC or Absolute)</b>             |                       |   |                |                                       |                  |
| Integral non-Linearity <sup>6</sup>          | INL                   |   | +/- 1.5        | +/- 2.2                               | LSB <sup>7</sup> |
| Differential non-Linearity <sup>6</sup>      | DNL                   |   | +/- 0.5        | +/- 0.8                               | LSB <sup>7</sup> |
| Monotonicity                                 |                       |   | GUARANTEED     |                                       |                  |
| Offset <sup>8</sup>                          | V <sub>OFFSET</sub>   |   | +/- 8          |                                       | mV               |
| Fully Differential                           |                       |   | +/- 12         |                                       |                  |
| Single Ended/Unipolar                        |                       |   |                |                                       |                  |
| Gain Error                                   | E <sub>GAIN</sub>     |   | 0.996 to 1.004 | 0.990 to 1.010                        |                  |
| <b>AC Specifications<sup>9</sup></b>         |                       |   |                |                                       |                  |
| Signal to Noise Ratio                        | SNR                   |   | 66             |                                       | dB               |
| Total Harmonic Distortion                    | THD                   |   | 75             |                                       | dB               |

Table continues on the next page...

**Table 27. 12-bit ADC Electrical Specifications (continued)**

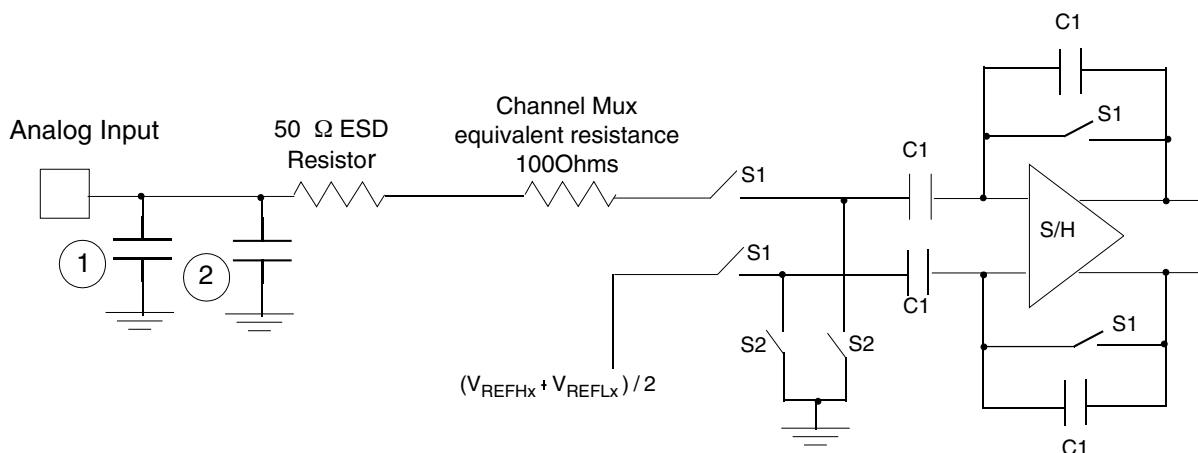
| Characteristic                             | Symbol       | Min | Typ  | Max  | Unit  |
|--|--------------|-----|------|------|-------|
| Spurious Free Dynamic Range                | SFDR         |     | 77   |      | dB    |
| Signal to Noise plus Distortion            | SINAD        |     | 66   |      | dB    |
| Effective Number of Bits                   | ENOB         |     | —    |      | bits  |
| Gain = 1x (Fully Differential/Unipolar)    |              |     | 10.6 |      |       |
| Gain = 2x (Fully Differential/Unipolar)    |              |     | —    |      |       |
| Gain = 4x (Fully Differential/Unipolar)    |              |     | 10.3 |      |       |
| Gain = 1x (Single Ended)                   |              |     | 10.6 |      |       |
| Gain = 2x (Single Ended)                   |              |     | 10.4 |      |       |
| Gain = 4x (Single Ended)                   |              |     | 10.2 |      |       |
| Variation across channels <sup>10</sup>    |              |     | 0.1  |      |       |
| <b>ADC Inputs</b>                          |              |     |      |      |       |
| Input Leakage Current                      | $I_{IN}$     |     | 1    |      | nA    |
| Temperature sensor slope                   | $T_{SLOPE}$  |     | 1.7  |      | mV/°C |
| Temperature sensor voltage at 25 °C        | $V_{TEMP25}$ |     | 0.82 |      | V     |
| <b>Disturbance</b>                         |              |     |      |      |       |
| Input Injection Current <sup>11</sup>      | $I_{INJ}$    |     |      | +/-3 | mA    |
| Channel to Channel Crosstalk <sup>12</sup> | ISOXTLK      |     | -82  |      | dB    |
| Memory Crosstalk <sup>13</sup>             | MEMXTLK      |     | -71  |      | dB    |
| Input Capacitance                          | $C_{ADI}$    |     | 4.8  |      | pF    |
| Sampling Capacitor                         |              |     |      |      |       |

1. The ADC functions up to  $V_{DDA} = 2.7$  V. When  $V_{DDA}$  is below 3.0 V, ADC specifications are not guaranteed
2. ADC clock duty cycle is 45% ~ 55%
3. Conversion range is defined for x1 gain setting. For x2 and x4 the range is 1/2 and 1/4, respectively.
4. In unipolar mode, positive input must be ensured to be always greater than negative input.
5. First conversion takes 10 clock cycles.
6. INL/DNL is measured from  $V_{IN} = V_{REFL}$  to  $V_{IN} = V_{REFH}$  using Histogram method at x1 gain setting
7. Least Significant Bit = 0.806 mV at 3.3 V  $V_{DDA}$ , x1 gain Setting
8. Offset measured at 2048 code
9. Measured converting a 1 kHz input full scale sine wave
10. When code runs from internal RAM
11. The current that can be injected into or sourced from an unselected ADC input without affecting the performance of the ADC
12. Any off-channel with 50 kHz full-scale input to the channel being sampled with DC input (isolation crosstalk)
13. From a previously sampled channel with 50 kHz full-scale input to the channel being sampled with DC input (memory crosstalk).

### 8.5.1.1 Equivalent circuit for ADC inputs

The following figure shows the ADC input circuit during sample and hold. S1 and S2 are always opened/closed at non-overlapping phases, and both S1 and S2 are dependent on the ADC clock frequency. The following equation gives equivalent input impedance when the input is selected.

$$\frac{1}{(\text{ADC ClockRate}) \times 4.8 \times 10^{-12}} + 100 \text{ ohm} + 50 \text{ ohm}$$



1. Parasitic capacitance due to package, pin-to-pin and pin-to-package base coupling = 1.8pF
2. Parasitic capacitance due to the chip bond pad, ESD protection devices and signal routing = 2.04pF
3. S1 and S2 switch phases are non-overlapping and depend on the ADC clock frequency

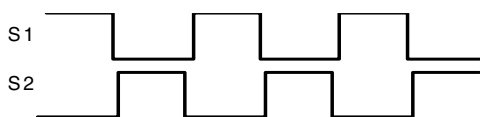


Figure 9. Equivalent circuit for A/D loading

## 8.5.2 12-bit Digital-to-Analog Converter (DAC) parameters

Table 28. DAC parameters

| Parameter                           | Conditions/Comments   | Symbol            | Min | Typ   | Max   | Unit             |
|-------------------------------------|---|-------------------|-----|-------|-------|------------------|
| <b>DC Specifications</b>            |   |                   |     |       |       |                  |
| Resolution                          |   |                   | 12  | 12    | 12    | bits             |
| Settling time <sup>1</sup>          | At output load<br>RLD = 3 kΩ<br>CLD = 400 pF                    |                   | —   | 1     |       | μs               |
| Power-up time                       | Time from release of PWRDWN signal until DACOUT signal is valid | $t_{\text{DAPU}}$ | —   | —     | 11    | μs               |
| <b>Accuracy</b>                     |   |                   |     |       |       |                  |
| Integral non-linearity <sup>2</sup> | Range of input digital words:                                   | INL               | —   | +/- 3 | +/- 4 | LSB <sup>3</sup> |

Table continues on the next page...

**Table 28. DAC parameters (continued)**

| Parameter                               | Conditions/Comments   | Symbol              | Min                       | Typ     | Max                       | Unit             |
|---|---|---------------------|---------------------------|---------|---------------------------|------------------|
|   | 410 to 3891 (\$19A - \$F33)<br>5% to 95% of full range                                  |                     |                           |         |                           |                  |
| Differential non-linearity <sup>2</sup> | Range of input digital words:<br>410 to 3891 (\$19A - \$F33)<br>5% to 95% of full range | DNL                 | —                         | +/- 0.8 | +/- 0.9                   | LSB <sup>3</sup> |
| Monotonicity                            | > 6 sigma monotonicity,<br>< 3.4 ppm non-monotonicity                                   |                     | guaranteed                |         |                           | —                |
| Offset error <sup>2</sup>               | Range of input digital words:<br>410 to 3891 (\$19A - \$F33)<br>5% to 95% of full range | V <sub>OFFSET</sub> | —                         | +/- 25  | +/- 43                    | mV               |
| Gain error <sup>2</sup>                 | Range of input digital words: 410 to 3891 (\$19A - \$F33) 5% to 95% of full range       | E <sub>GAIN</sub>   | —                         | +/- 0.5 | +/- 1.5                   | %                |
| <b>DAC Output</b>                       |   |                     |                           |         |                           |                  |
| Output voltage range                    | Within 40 mV of either V <sub>SSA</sub> or V <sub>DDA</sub>                             | V <sub>OUT</sub>    | V <sub>SSA</sub> + 0.04 V | —       | V <sub>DDA</sub> - 0.04 V | V                |
| <b>AC Specifications</b>                |   |                     |                           |         |                           |                  |
| Signal-to-noise ratio                   |   | SNR                 | —                         | 85      | —                         | dB               |
| Spurious free dynamic range             |   | SFDR                | —                         | -72     | —                         | dB               |
| Effective number of bits                |   | ENOB                | —                         | 11      | —                         | bits             |

1. Settling time is swing range from V<sub>SSA</sub> to V<sub>DDA</sub>
2. No guaranteed specification within 5% of V<sub>DDA</sub> or V<sub>SSA</sub>
3. LSB = 0.806 mV

### 8.5.3 CMP and 6-bit DAC electrical specifications

**Table 29. Comparator and 6-bit DAC electrical specifications**

| Symbol            | Description                                     | Min.            | Typ. | Max.            | Unit |
|-------------------|---|-----------------|------|-----------------|------|
| V <sub>DD</sub>   | Supply voltage                                  | 2.7             | —    | 3.6             | V    |
| I <sub>DDHS</sub> | Supply current, High-speed mode (EN=1, PMODE=1) | —               | 300  | —               | μA   |
| I <sub>DDL</sub>  | Supply current, low-speed mode (EN=1, PMODE=0)  | —               | 36   | —               | μA   |
| V <sub>AIN</sub>  | Analog input voltage                            | V <sub>SS</sub> | —    | V <sub>DD</sub> | V    |
| V <sub>AIO</sub>  | Analog input offset voltage                     | —               | —    | 20              | mV   |
| V <sub>H</sub>    | Analog comparator hysteresis                    |                 |      |                 |      |
|                   | • CR0[HYSTCTR] = 00 <sup>1</sup>                | —               | 5    | 13              | mV   |
|                   | • CR0[HYSTCTR] = 01                             | —               | 25   | 48              | mV   |
|                   | • CR0[HYSTCTR] = 10 <sup>2</sup>                | —               | 55   | 105             | mV   |
|                   | • CR0[HYSTCTR] = 11 <sup>2</sup>                | —               | 80   | 148             | mV   |

Table continues on the next page...



Table 29. Comparator and 6-bit DAC electrical specifications (continued)

| Symbol      | Description   | Min.           | Typ. | Max.     | Unit             |
|-------------|---|----------------|------|----------|------------------|
| $V_{CMPOh}$ | Output high   | $V_{DD} - 0.5$ | —    | —        | V                |
| $V_{CMPOl}$ | Output low  | —              | —    | 0.5      | V                |
| $t_{DHS}$   | Propagation delay, high-speed mode (EN=1, PMODE=1)  | —              | 25   | 50       | ns               |
| $t_{DLS}$   | Propagation delay, low-speed mode (EN=1, PMODE=0) <sup>3</sup>  | —              | 60   | 200      | ns               |
|             | Analog comparator initialization delay <sup>4</sup>   | —              | 40   | —        | $\mu$ s          |
| $I_{DAC6b}$ | 6-bit DAC current adder (enabled)   | —              | 7    | —        | $\mu$ A          |
|             | 6-bit DAC reference inputs, Vin1 and Vin2<br>There are two reference input options selectable (via VRSEL control bit). The reference options must fall within this range. | $V_{DDA}$      | —    | $V_{DD}$ | V                |
| INL         | 6-bit DAC integral non-linearity  | -0.5           | —    | 0.5      | LSB <sup>5</sup> |
| DNL         | 6-bit DAC differential non-linearity  | -0.3           | —    | 0.3      | LSB              |

1. Measured with input voltage range limited to 0 to  $V_{DD}$
2. Measured with input voltage range limited to  $0.7 \leq V_{in} \leq V_{DD} - 0.8$
3. Input voltage range:  $0.1V_{DD} \leq V_{in} \leq 0.9V_{DD}$ , step =  $\pm 100$ mV, across all temperature. Does not include PCB and PAD delay.
4. Comparator initialization delay is defined as the time between software writes to change control inputs (Writes to DACEN, VRSEL, PSEL, MSEL, VOSEL) and the comparator output settling to a stable level.
5.  $1 \text{ LSB} = V_{\text{reference}}/64$

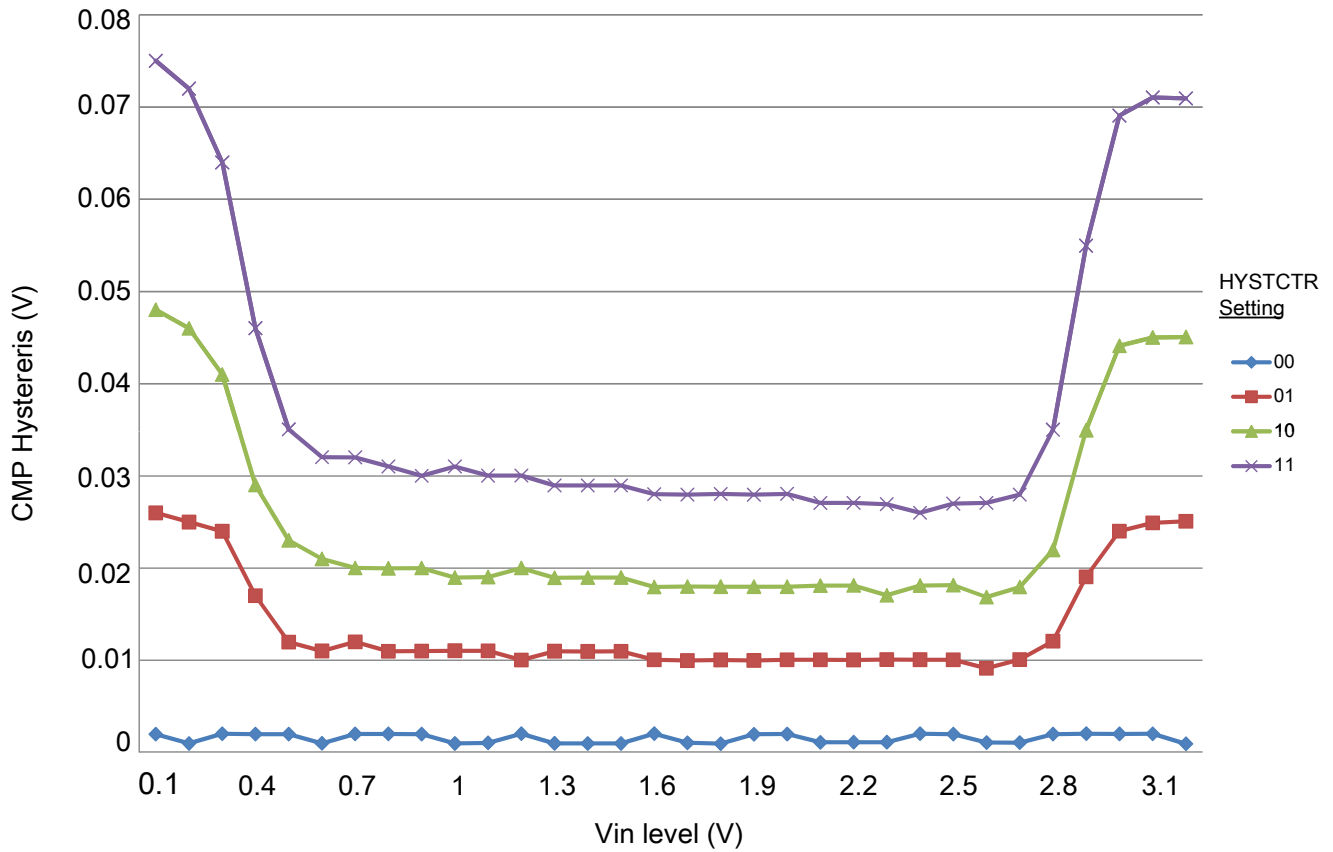


Figure 10. Typical hysteresis vs. Vin level ( $V_{DD} = 3.3\text{ V}$ ,  $PMODE = 0$ )

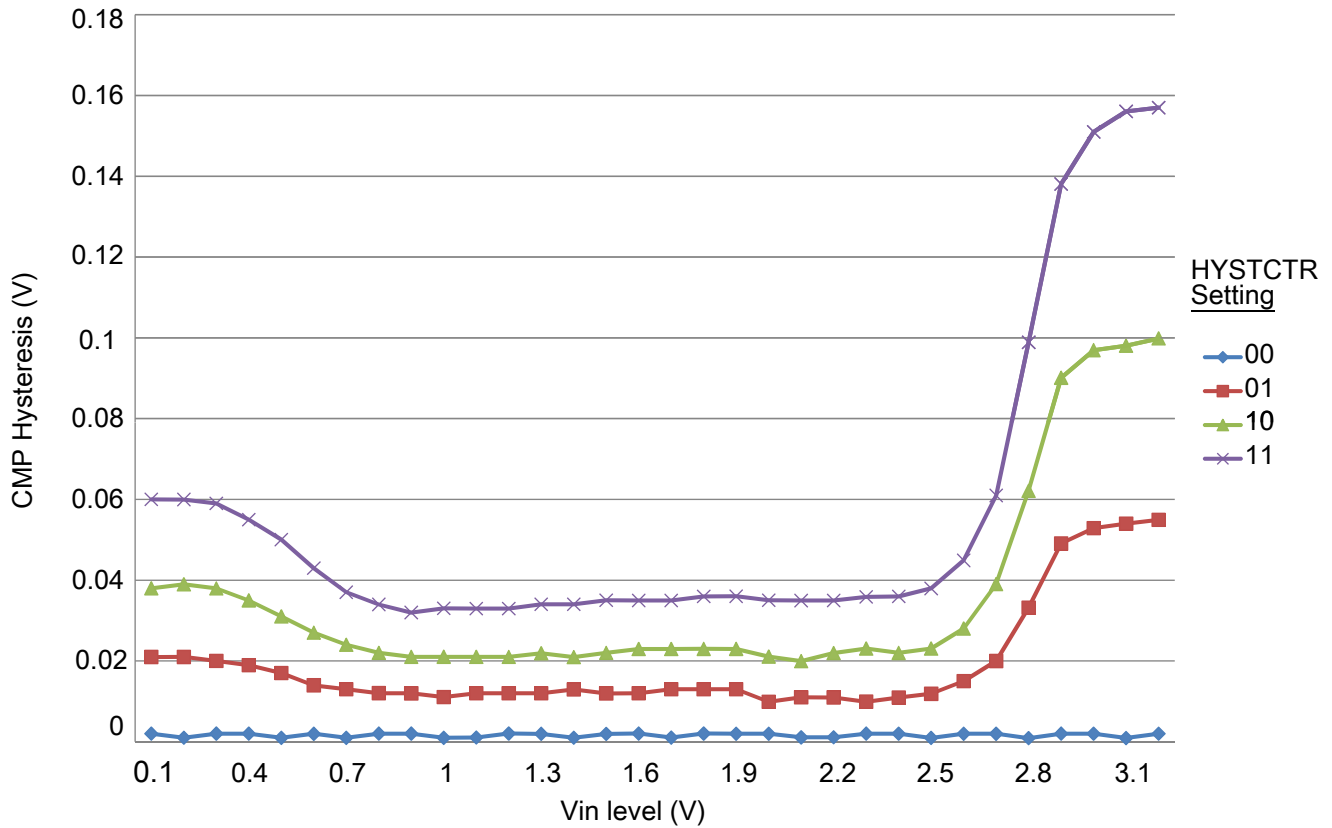


Figure 11. Typical hysteresis vs. Vin level (V<sub>DD</sub> = 3.3 V, P<sub>MODE</sub> = 1)

## 8.6 Timer

### 8.6.1 Quad Timer timing

Parameters listed are guaranteed by design.

Table 30. Timer timing

| Characteristic               | Symbol            | Min <sup>1</sup> | Max | Unit | See Figure |
|------------------------------|-------------------|------------------|-----|------|------------|
| Timer input period           | P <sub>IN</sub>   | 2T + 10          | —   | ns   | Figure 12  |
| Timer input high/low period  | P <sub>INHL</sub> | 1T + 5           | —   | ns   | Figure 12  |
| Timer output period          | P <sub>OUT</sub>  | 2T-2             | —   | ns   | Figure 12  |
| Timer output high/low period | P <sub>OUTH</sub> | 1T-2             | —   | ns   | Figure 12  |

1. T = clock cycle. For 50 MHz operation, T = 20 ns.

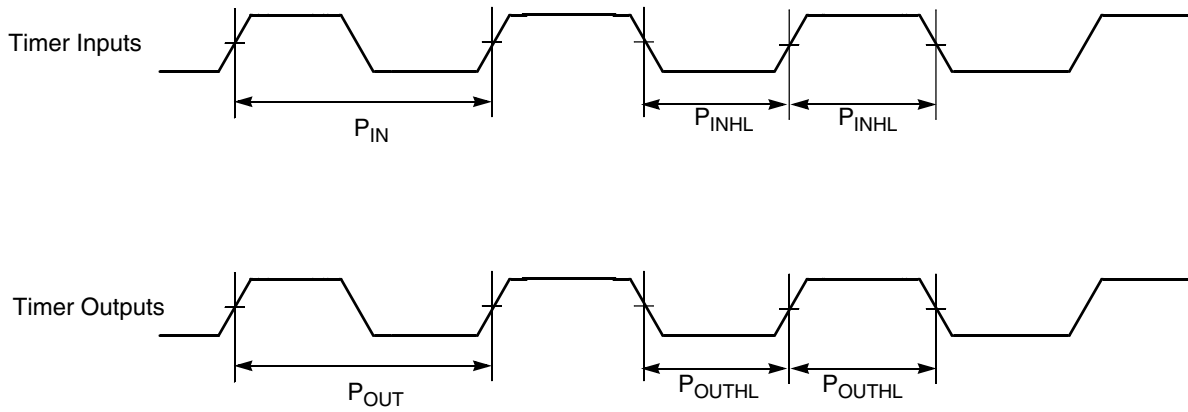


Figure 12. Timer timing

## 8.7 Communication interfaces

### 8.7.1 Queued Serial Peripheral Interface (SPI) timing

Parameters listed are guaranteed by design.

Table 31. SPI timing

| Characteristic                       | Symbol    | Min | Max | Unit | See Figure             |
|--------------------------------------|-----------|-----|-----|------|------------------------|
| Cycle time                           | $t_C$     | 60  | —   | ns   | Figure 13              |
| Master                               |           | 60  | —   | ns   | Figure 14              |
| Slave                                |           |     |     |      | Figure 15<br>Figure 16 |
| Enable lead time                     | $t_{ELD}$ | —   | —   | ns   | Figure 16              |
| Master                               |           | 20  | —   | ns   |                        |
| Slave                                |           |     |     |      |                        |
| Enable lag time                      | $t_{ELG}$ | —   | —   | ns   | Figure 16              |
| Master                               |           | 20  | —   | ns   |                        |
| Slave                                |           |     |     |      |                        |
| Clock (SCK) high time                | $t_{CH}$  |     | —   | ns   | Figure 13              |
| Master                               |           |     | —   | ns   | Figure 14              |
| Slave                                |           |     |     |      | Figure 15<br>Figure 16 |
| Clock (SCK) low time                 | $t_{CL}$  | 28  | —   | ns   | Figure 16              |
| Master                               |           | 28  | —   | ns   |                        |
| Slave                                |           |     |     |      |                        |
| Data set-up time required for inputs | $t_{DS}$  | 20  | —   | ns   | Figure 13<br>Figure 14 |
| Master                               |           |     |     |      |                        |

Table continues on the next page...

Table 31. SPI timing (continued)

| Characteristic  | Symbol   | Min | Max | Unit | See Figure             |
|---|----------|-----|-----|------|------------------------|
| Slave   |          | 1   | —   | ns   | Figure 15<br>Figure 16 |
| Data hold time required for inputs                          | $t_{DH}$ | 1   | —   | ns   | Figure 13              |
| Master  |          | 3   | —   | ns   | Figure 14              |
| Slave   |          |     |     |      | Figure 15<br>Figure 16 |
| Access time (time to data active from high-impedance state) | $t_A$    | 5   | —   | ns   | Figure 16              |
| Slave   |          |     |     |      |                        |
| Disable time (hold time to high-impedance state)            | $t_D$    | 5   | —   | ns   | Figure 16              |
| Slave   |          |     |     |      |                        |
| Data valid for outputs                                      | $t_{DV}$ | —   |     | ns   | Figure 13              |
| Master  |          | —   |     | ns   | Figure 14              |
| Slave (after enable edge)                                   |          |     |     |      | Figure 15<br>Figure 16 |
| Data invalid  | $t_{DI}$ | 0   | —   | ns   | Figure 13              |
| Master  |          | 0   | —   | ns   | Figure 14              |
| Slave   |          |     |     |      | Figure 15<br>Figure 16 |
| Rise time   | $t_R$    | —   | 1   | ns   | Figure 13              |
| Master  |          | —   | 1   | ns   | Figure 14              |
| Slave   |          |     |     |      | Figure 15<br>Figure 16 |
| Fall time   | $t_F$    | —   | 1   | ns   | Figure 13              |
| Master  |          | —   | 1   | ns   | Figure 14              |
| Slave   |          |     |     |      | Figure 15<br>Figure 16 |

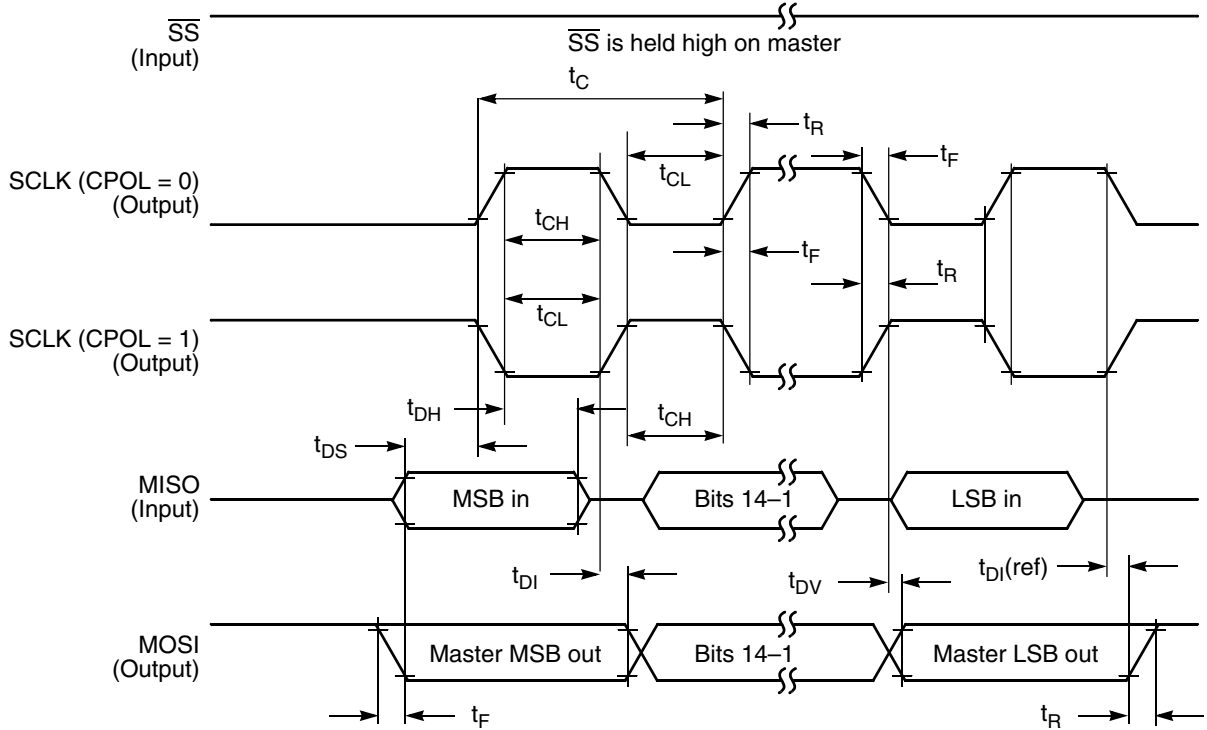


Figure 13. SPI master timing (CPHA = 0)

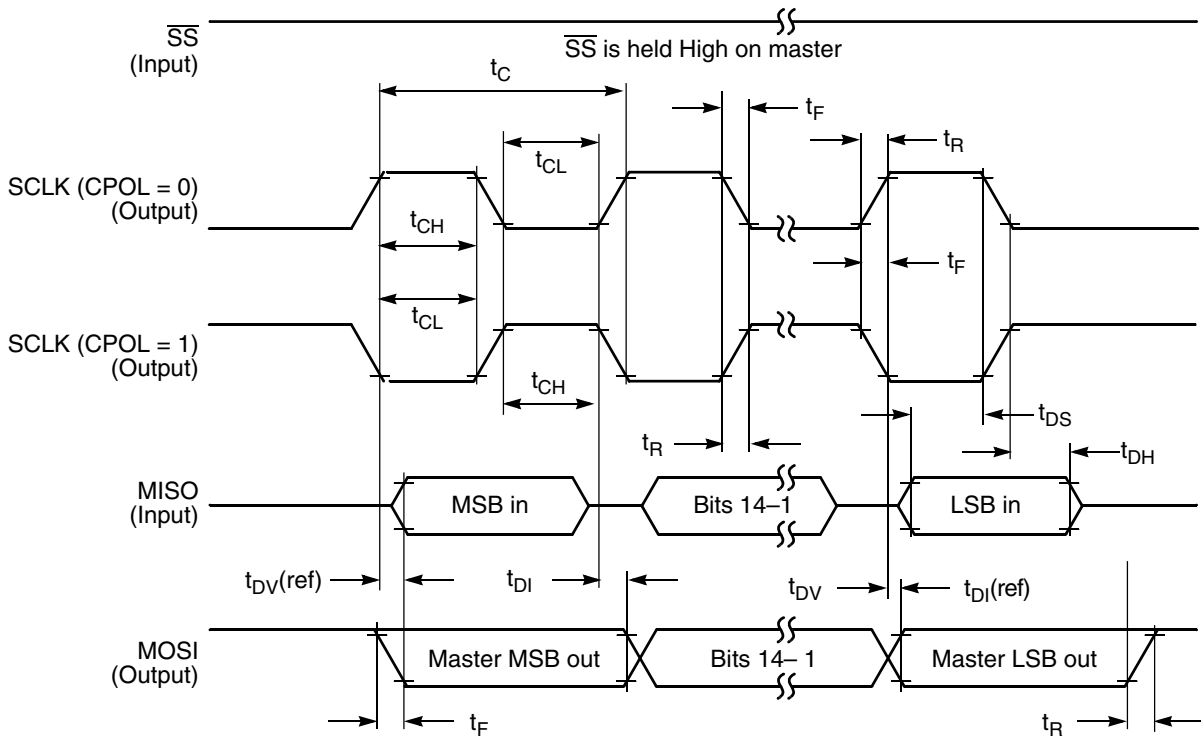


Figure 14. SPI master timing (CPHA = 1)

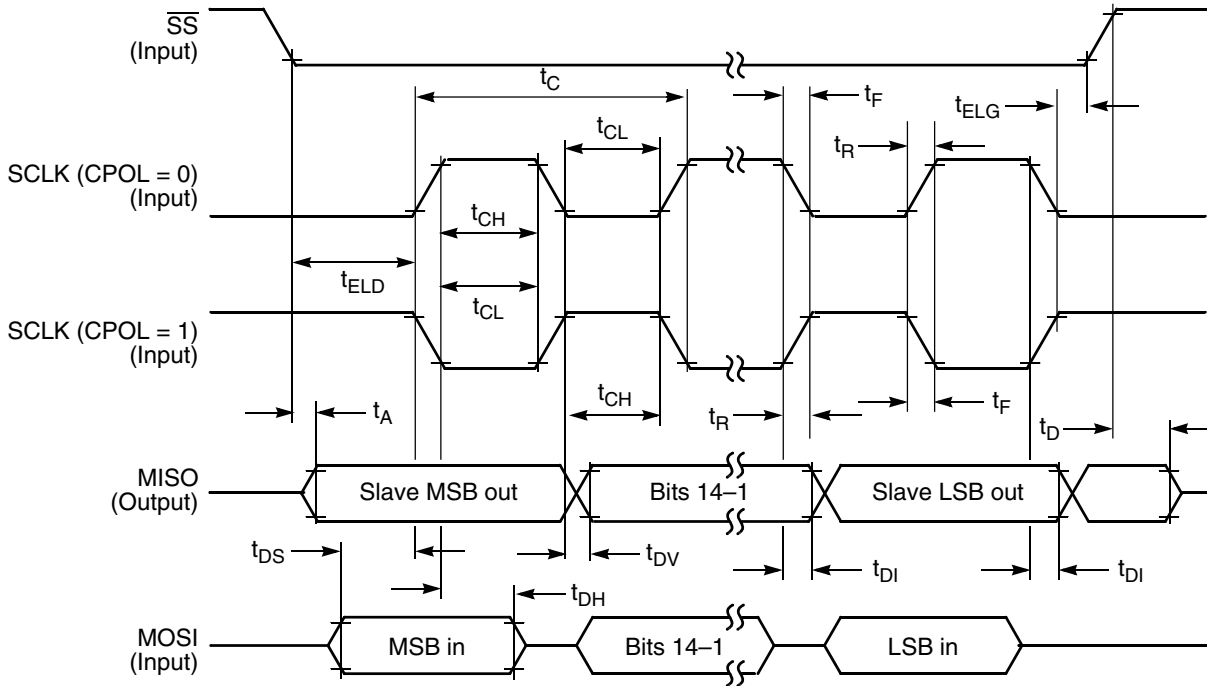


Figure 15. SPI slave timing (CPHA = 0)

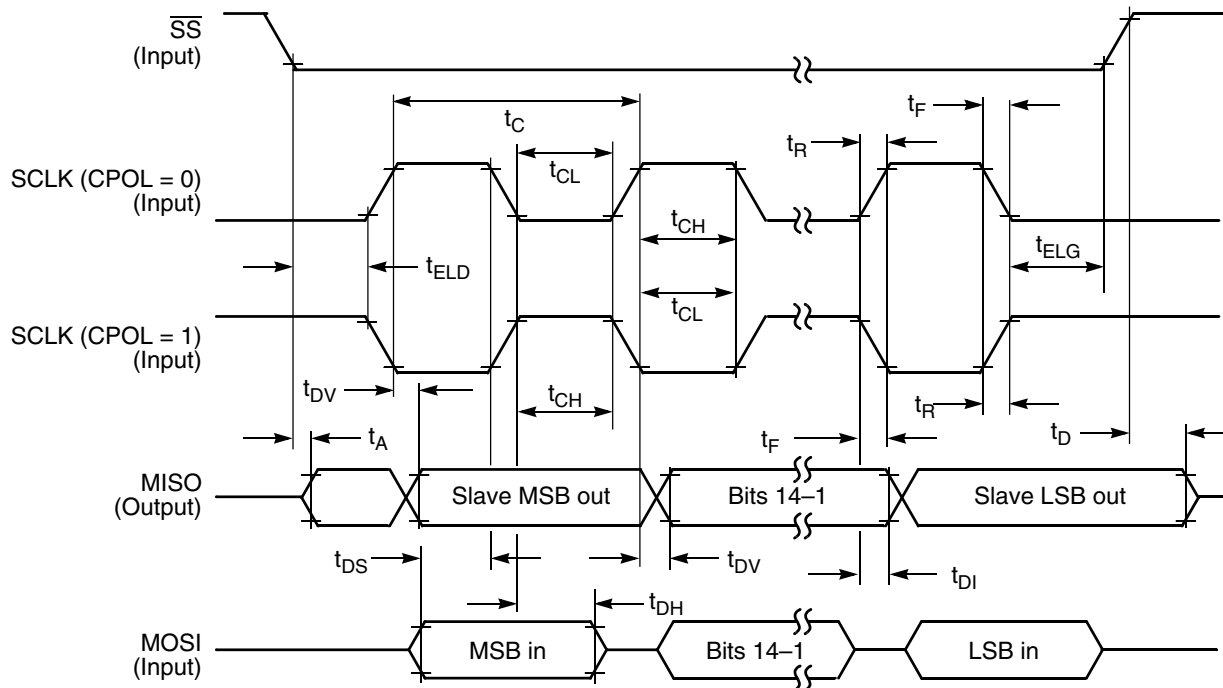


Figure 16. SPI slave timing (CPHA = 1)

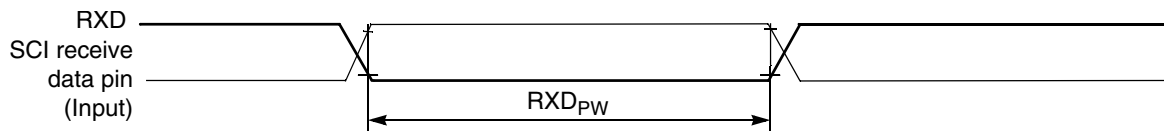
## 8.7.2 Queued Serial Communication Interface (SCI) timing

Parameters listed are guaranteed by design.

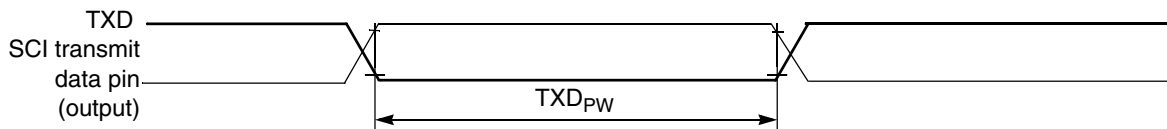
**Table 32. SCI timing**

| Characteristic  | Symbol                   | Min      | Max              | Unit                    | See Figure |
|---|--------------------------|----------|------------------|-------------------------|------------|
| Baud rate <sup>1</sup>  | BR                       | —        | ( $f_{MAX}/16$ ) | Mbit/s                  | —          |
| RXD pulse width   | RXD <sub>PW</sub>        | 0.965/BR | 1.04/BR          | ns                      | Figure 17  |
| TXD pulse width   | TXD <sub>PW</sub>        | 0.965/BR | 1.04/BR          | ns                      | Figure 18  |
| LIN Slave Mode  |                          |          |                  |                         |            |
| Deviation of slave node clock from nominal clock rate before synchronization          | F <sub>TOL_UNSYNCH</sub> | -14      | 14               | %                       | —          |
| Deviation of slave node clock relative to the master node clock after synchronization | F <sub>TOL_SYNCH</sub>   | -2       | 2                | %                       | —          |
| Minimum break character length  | T <sub>BREAK</sub>       | 13       | —                | Master node bit periods | —          |
|   |                          | 11       | —                | Slave node bit periods  | —          |

1.  $f_{MAX}$  is the frequency of operation of the SCI clock in MHz, which can be selected as the bus clock (max.)50 MHz.



**Figure 17. RXD pulse width**



**Figure 18. TXD pulse width**

## 8.7.3 Inter-Integrated Circuit Interface (I<sup>2</sup>C) timing

**Table 33. I<sup>2</sup>C timing**

| Characteristic   | Symbol         | Standard Mode |         | Fast Mode |         | Unit    |
|--|----------------|---------------|---------|-----------|---------|---------|
|  |                | Minimum       | Maximum | Minimum   | Maximum |         |
| SCL Clock Frequency  | $f_{SCL}$      | 0             | 100     | 0         | 400     | kHz     |
| Hold time (repeated) START condition. After this period, the first clock pulse is generated. | $t_{HD}$ ; STA | 4             | —       | 0.6       | —       | $\mu$ s |
| LOW period of the SCL clock  | $t_{LOW}$      | 4.7           | —       | 1.3       | —       | $\mu$ s |

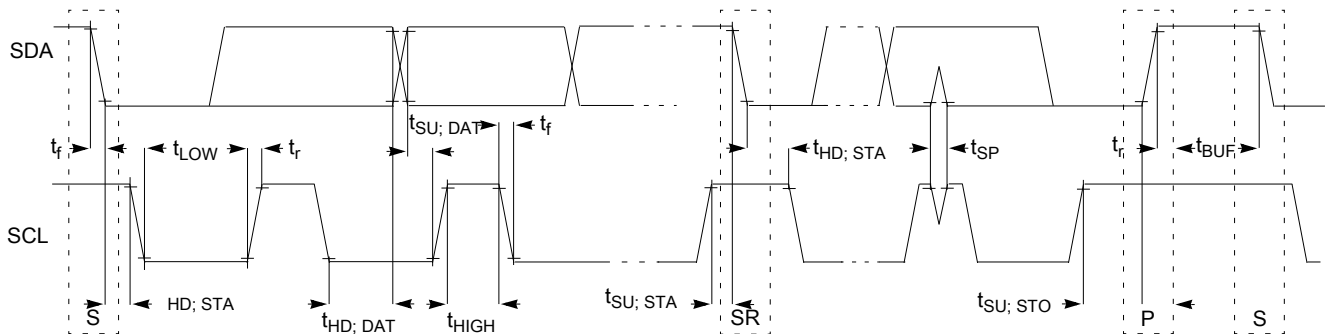
Table continues on the next page...



Table 33. I<sup>2</sup>C timing (continued)

| Characteristic  | Symbol               | Standard Mode    |                   | Fast Mode                  |                  | Unit          |
|---|----------------------|------------------|-------------------|----------------------------|------------------|---------------|
|   |                      | Minimum          | Maximum           | Minimum                    | Maximum          |               |
| HIGH period of the SCL clock                                      | $t_{\text{HIGH}}$    | 4                | —                 | 0.6                        | —                | $\mu\text{s}$ |
| Set-up time for a repeated START condition                        | $t_{\text{SU; STA}}$ | 4.7              | —                 | 0.6                        | —                | $\mu\text{s}$ |
| Data hold time for I <sup>2</sup> C bus devices                   | $t_{\text{HD; DAT}}$ | 0 <sup>1</sup>   | 3.45 <sup>2</sup> | 0 <sup>3</sup>             | 0.9 <sup>1</sup> | $\mu\text{s}$ |
| Data set-up time  | $t_{\text{SU; DAT}}$ | 250 <sup>4</sup> | —                 | 100 <sup>2, 5</sup>        | —                | ns            |
| Rise time of SDA and SCL signals                                  | $t_r$                | —                | 1000              | $20 + 0.1C_b$ <sup>6</sup> | 300              | ns            |
| Fall time of SDA and SCL signals                                  | $t_f$                | —                | 300               | $20 + 0.1C_b$ <sup>5</sup> | 300              | ns            |
| Set-up time for STOP condition                                    | $t_{\text{SU; STO}}$ | 4                | —                 | 0.6                        | —                | $\mu\text{s}$ |
| Bus free time between STOP and START condition                    | $t_{\text{BUF}}$     | 4.7              | —                 | 1.3                        | —                | $\mu\text{s}$ |
| Pulse width of spikes that must be suppressed by the input filter | $t_{\text{SP}}$      | N/A              | N/A               | 0                          | 50               | ns            |

1. The master mode I<sup>2</sup>C deasserts ACK of an address byte simultaneously with the falling edge of SCL. If no slaves acknowledge this address byte, then a negative hold time can result, depending on the edge rates of the SDA and SCL lines.
2. The maximum  $t_{\text{HD; DAT}}$  must be met only if the device does not stretch the LOW period ( $t_{\text{LOW}}$ ) of the SCL signal.
3. Input signal Slew = 10 ns and Output Load = 50 pF
4. Set-up time in slave-transmitter mode is 1 IPBus clock period, if the TX FIFO is empty.
5. A Fast mode I<sup>2</sup>C bus device can be used in a Standard mode I<sup>2</sup>C bus system, but the requirement  $t_{\text{SU; DAT}} \geq 250$  ns must then be met. This is automatically the case if the device does not stretch the LOW period of the SCL signal. If such a device does stretch the LOW period of the SCL signal, then it must output the next data bit to the SDA line  $t_{\text{max}} + t_{\text{SU; DAT}} = 1000 + 250 = 1250$  ns (according to the Standard mode I<sup>2</sup>C bus specification) before the SCL line is released.
6.  $C_b$  = total capacitance of the one bus line in pF.

Figure 19. Timing definition for fast and standard mode devices on the I<sup>2</sup>C bus

## 9 Design Considerations

### 9.1 Thermal design considerations

An estimate of the chip junction temperature ( $T_J$ ) can be obtained from the equation:

$$T_J = T_A + (R_{\theta JA} \times P_D)$$

Where,

$T_A$  = Ambient temperature for the package ( $^{\circ}\text{C}$ )

$R_{\Theta JA}$  = Junction-to-ambient thermal resistance ( $^{\circ}\text{C}/\text{W}$ )

$P_D$  = Power dissipation in the package (W)

The junction-to-ambient thermal resistance is an industry-standard value that provides a quick and easy estimation of thermal performance. Unfortunately, there are two values in common usage: the value determined on a single-layer board and the value obtained on a board with two planes. For packages such as the PBGA, these values can be different by a factor of two. Which TJ value is closer to the application depends on the power dissipated by other components on the board.

- The TJ value obtained on a single layer board is appropriate for a tightly packed printed circuit board.
- The TJ value obtained on a board with the internal planes is usually appropriate if the board has low-power dissipation and if the components are well separated.

When a heat sink is used, the thermal resistance is expressed as the sum of a junction-to-case thermal resistance and a case-to-ambient thermal resistance:

$$R_{\Theta JA} = R_{\Theta JC} + R_{\Theta CA}$$

Where,

$R_{\Theta JA}$  = Package junction-to-ambient thermal resistance ( $^{\circ}\text{C}/\text{W}$ )

$R_{\Theta JC}$  = Package junction-to-case thermal resistance ( $^{\circ}\text{C}/\text{W}$ )

$R_{\Theta CA}$  = Package case-to-ambient thermal resistance ( $^{\circ}\text{C}/\text{W}$ )

$R_{\Theta JC}$  is device related and cannot be adjusted. You control the thermal environment to change the case to ambient thermal resistance,  $R_{\Theta CA}$ . For instance, you can change the size of the heat sink, the air flow around the device, the interface material, the mounting arrangement on printed circuit board, or change the thermal dissipation on the printed circuit board surrounding the device.

**To determine the junction temperature of the device in the application when heat sinks are not used**, the thermal characterization parameter (YJT) can be used to determine the junction temperature with a measurement of the temperature at the top center of the package case using the following equation:

$$T_J = T_T + (\Psi_{JT} \times P_D)$$

Where,

$T_T$  = Thermocouple temperature on top of package ( $^{\circ}\text{C}/\text{W}$ )

$\Psi_{JT}$  = thermal characterization parameter ( $^{\circ}\text{C}/\text{W}$ )

$P_D$  = Power dissipation in package (W)

The thermal characterization parameter is measured per JESD51–2 specification using a 40-gauge type T thermocouple epoxied to the top center of the package case. The thermocouple should be positioned so that the thermocouple junction rests on the package. A small amount of epoxy is placed over the thermocouple junction and over about 1 mm of wire extending from the junction. The thermocouple wire is placed flat against the package case to avoid measurement errors caused by cooling effects of the thermocouple wire.

**To determine the junction temperature of the device in the application when heat sinks are used**, the junction temperature is determined from a thermocouple inserted at the interface between the case of the package and the interface material. A clearance slot or hole is normally required in the heat sink. Minimizing the size of the clearance is important to minimize the change in thermal performance caused by removing part of the thermal interface to the heat sink. Because of the experimental difficulties with this technique, many engineers measure the heat sink temperature and then back-calculate the case temperature using a separate measurement of the thermal resistance of the interface. From this case temperature, the junction temperature is determined from the junction-to-case thermal resistance.

## 9.2 Electrical design considerations

### CAUTION

This device contains protective circuitry to guard against damage due to high static voltage or electrical fields. However, take normal precautions to avoid application of any voltages higher than maximum-rated voltages to this high-impedance circuit. Reliability of operation is enhanced if unused inputs are tied to an appropriate voltage level.

Use the following list of considerations to assure correct operation of the device:

- Provide a low-impedance path from the board power supply to each  $V_{DD}$  pin on the device and from the board ground to each  $V_{SS}$  (GND) pin.
- The minimum bypass requirement is to place 0.01–0.1  $\mu\text{F}$  capacitors positioned as near as possible to the package supply pins. The recommended bypass configuration is to place one bypass capacitor on each of the  $V_{DD}/V_{SS}$  pairs, including  $V_{DDA}/V_{SSA}$ . Ceramic and tantalum capacitors tend to provide better tolerances.
- Ensure that capacitor leads and associated printed circuit traces that connect to the chip  $V_{DD}$  and  $V_{SS}$  (GND) pins are as short as possible.

- Bypass the  $V_{DD}$  and  $V_{SS}$  with approximately 100  $\mu\text{F}$ , plus the number of 0.1  $\mu\text{F}$  ceramic capacitors.
- PCB trace lengths should be minimal for high-frequency signals.
- Consider all device loads as well as parasitic capacitance due to PCB traces when calculating capacitance. This is especially critical in systems with higher capacitive loads that could create higher transient currents in the  $V_{DD}$  and  $V_{SS}$  circuits.
- Take special care to minimize noise levels on the  $V_{REF}$ ,  $V_{DDA}$ , and  $V_{SSA}$  pins.
- Using separate power planes for  $V_{DD}$  and  $V_{DDA}$  and separate ground planes for  $V_{SS}$  and  $V_{SSA}$  are recommended. Connect the separate analog and digital power and ground planes as near as possible to power supply outputs. If an analog circuit and digital circuit are powered by the same power supply, then connect a small inductor or ferrite bead in serial with  $V_{DDA}$ . Traces of  $V_{SS}$  and  $V_{SSA}$  should be shorted together.
- Physically separate analog components from noisy digital components by ground planes. Do not place an analog trace in parallel with digital traces. Place an analog ground trace around an analog signal trace to isolate it from digital traces.
- Because the flash memory is programmed through the JTAG/EOnCE port, SPI, SCI, or I<sup>2</sup>C, the designer should provide an interface to this port if in-circuit flash programming is desired.
- If desired, connect an external RC circuit to the  $\overline{\text{RESET}}$  pin. The resistor value should be in the range of 4.7 k $\Omega$ –10 k $\Omega$ ; the capacitor value should be in the range of 0.22  $\mu\text{F}$ –4.7  $\mu\text{F}$ .
- Configuring the  $\overline{\text{RESET}}$  pin to GPIO output in normal operation in a high-noise environment may help to improve the performance of noise transient immunity.
- Add a 2.2 k $\Omega$  external pullup on the TMS pin of the JTAG port to keep EOnCE in a restate during normal operation if JTAG converter is not present.
- During reset and after reset but before I/O initialization, all I/O pins are at tri-state.
- To eliminate PCB trace impedance effect, each ADC input should have a no less than 33 pF 10 $\Omega$  RC filter.

## 9.3 Power-on Reset design considerations

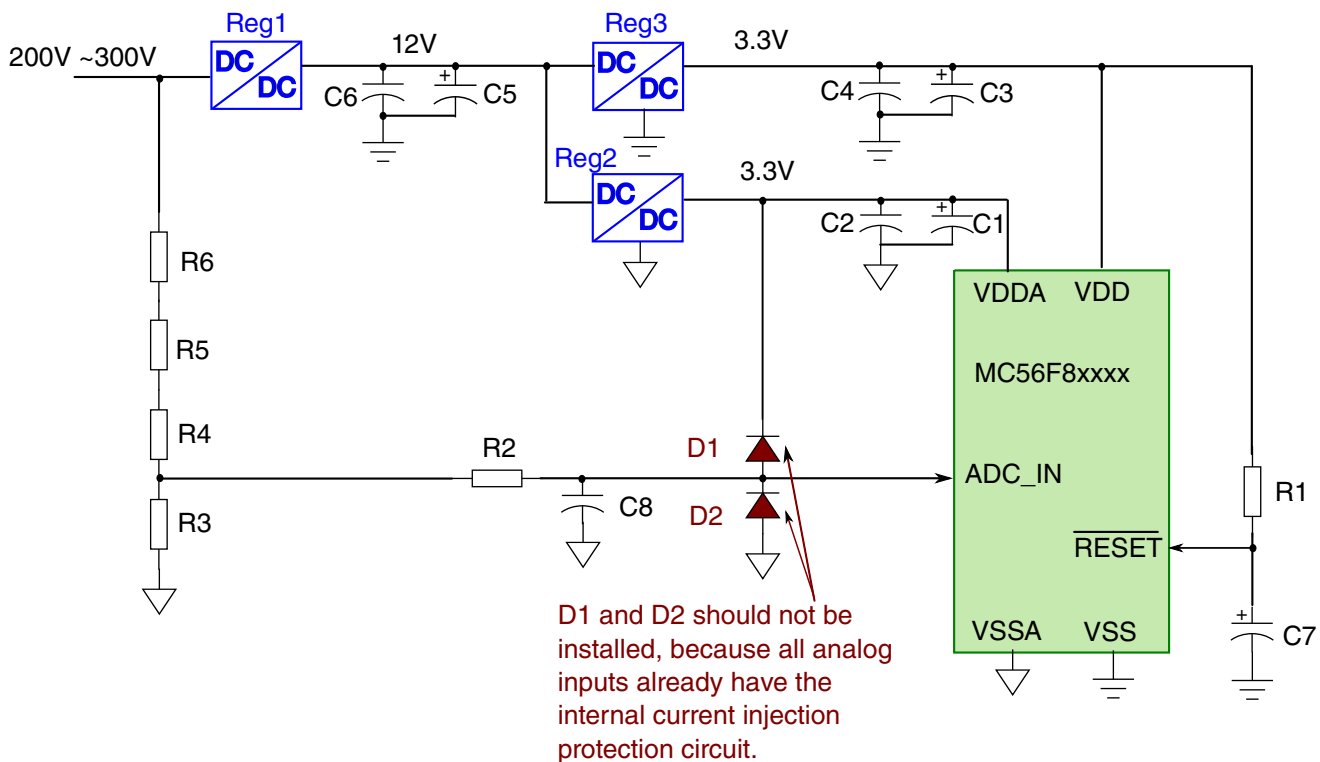
### 9.3.1 Improper power-up sequence between VDD/VSS and VDDA/VSSA:

It is recommended that VDD be kept within 100 mV of VDDA at all times, including power ramp-up and ramp-down. Failure to keep VDDA within 100 mV of VDDA may cause a leakage current through the substrate, between the VDD and VDDA pad cells.

This leakage current could prevent operation of the device after it powers up. The voltage difference between VDD and VDDA must be limited to below 0.3 V at all times, to avoid permanent damage to the part (See [Table 5](#)). Also see [Table 6](#).

### 9.3.2 Improperly designed protection circuit:

In many circuit designs, it is a general practice to add external clamping diodes on each analog input pin; see diode D1 and D2 in [Figure 20](#), to prevent the surge voltage from damaging the analog input. However, in some cases, these diodes can cause the DSC to fail to start at power-on. For example, in [Figure 20](#), the entire system is directly powered from the power grid; high voltage is fed to 12V DC/DC converter Reg1, then 12V powers DC/DC converter Reg2 and Reg3 to provide 3.3V supply voltage to VDD and VDDA. Due to the startup time delay of DC/DC converters and per-charge the capacitors on 12V and 3.3V rail, VDDA can be charged to a less than 0.5V through a path of R6->R5->R4->R2->D1. If this low voltage duration is more than 1 ms without continuing ramp-up, then it can cause the device to fail to start up.



**Figure 20. Protection Circuit Example**

MC56F8xxxx DSC uses the 5V tolerance I/O. When the pin is configured to digital input, it can accept 5V input. [Table 5](#). When the pin is configured to analog input, the internal integrated current injection protection circuit is enabled. The current injection protection

circuit performs the same functions as external clamp diode D1 and D2 in [Figure 20](#). As long as the source or sink current for each analog pin is less than 3 mA, then there is no damage to the device. See [Table 27](#).

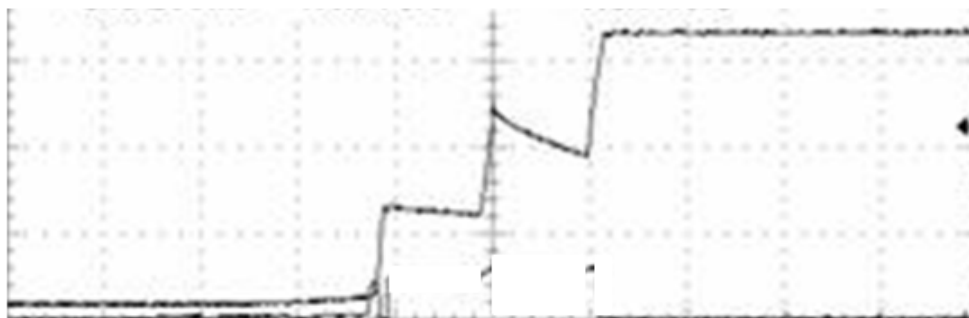
This situation could happen if diodes D1 or D2 are used for clamping; therefore in this case, the D1 and D2 clamping diodes are not recommended to be used.

### NOTE

In some designs, VDD and VDDA are powered from the same power supply. In this case, above analysis and suggestions are also applicable.

### 9.3.3 Heavy capacitive load on power supply output:

In some applications, the low cost DC/DC converter may not regulate the output voltage well before it reaches the regulation point, which is roughly around 2.5V to 2.7V. However, the MC56F8xxxx DSC will exit power-on reset at around 2.3V. If the initialization code enables the PLL to run the DSC at full speed right after reset, then the high current will be pulled by DSC from the supply, which can cause the supply voltage to drop below the operation voltage; see the captured graph ([Figure 21](#)). This can cause the DSC fail to start up.



**Figure 21. Supply Voltage Drop**

A recommended initialization sequence during power-up is:

1. After POR is released, run a few hundred NOP instructions from the internal relaxation oscillator; this gives time for the supply voltage to stabilize.
2. Configure the peripherals (except the ADC) to the desired settings; the ADC should stay in low power mode.
3. Power up the PLL.
4. After the PLL locks, switch the clock from PLL prescale to postscale.
5. Configure the ADC.

## 10 Obtaining package dimensions

Package dimensions are provided in package drawings.

To find a package drawing, go to [freescale.com](http://freescale.com) and perform a keyword search for the drawing's document number:

| Drawing for package | Document number to be used |
|---------------------|----------------------------|
| 32LQFP              | 98ASH70029A                |
| 32QFN               | 98ASA00473D                |
| 48-pin LQFP         | 98ASH00962A                |

## 11 Pinout

### 11.1 Signal Multiplexing and Pin Assignments

The following table shows the signals available on each pin and the locations of these pins on the devices supported by this document. The SIM's GPS registers are responsible for selecting which ALT functionality is available on most pins.

#### NOTE

- The RESETB pin is a 3.3 V pin only.
- If the GPIOC1 pin is used as GPIO, the XOSC should be powered down.
- Not all CMPD pins are not available on 48 LQFP.

#### NOTE

DAC and CMPC signals are not available on 32 LQFP package.

| 48 LQFP | 32 LQFP | Pin Name | Default | ALT0   | ALT1     | ALT2   | ALT3   |
|---------|---------|----------|---------|--------|----------|--------|--------|
| —       | 19      | GPIOF2   | GPIOF2  | SCL0   | XB_OUT6  |        |        |
| —       | 20      | GPIOF3   | GPIOF3  | SDA0   | XB_OUT7  |        |        |
| 1       | 1       | TCK      | TCK     | GPIOD2 |          |        |        |
| 2       | 2       | RESETB   | RESETB  | GPIOD4 |          |        |        |
| 3       | —       | GPIOC0   | GPIOC0  | EXTAL  | CLKIN0   |        |        |
| 4       | —       | GPIOC1   | GPIOC1  | XTAL   |          |        |        |
| 5       | 3       | GPIOC2   | GPIOC2  | TXD0   | XB_OUT11 | XB_IN2 | CLK00  |
| 6       | 4       | GPIOC3   | GPIOC3  | TA0    | CMPA_O   | RXD0   | CLKIN1 |

## Pinout

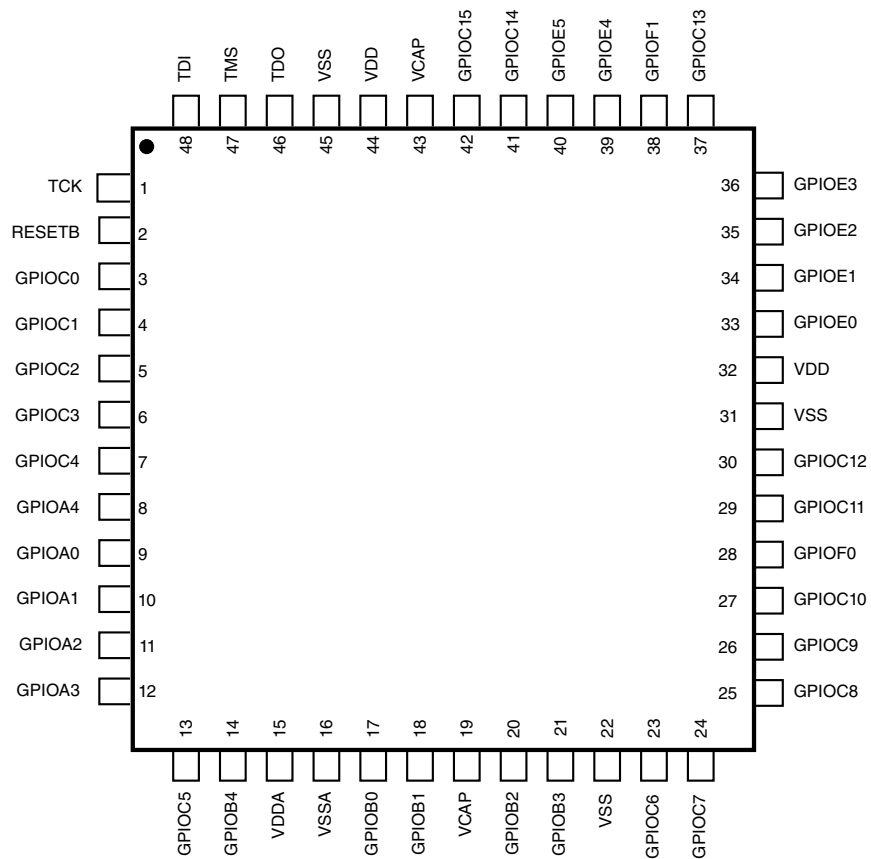
| 48 LQFP | 32 LQFP | Pin Name | Default | ALT0                 | ALT1    | ALT2       | ALT3      |
|---------|---------|----------|---------|----------------------|---------|------------|-----------|
| 7       | 5       | GPIOC4   | GPIOC4  | TA1                  | CMPB_O  | XB_IN6     | EWM_OUT_B |
| 8       | —       | GPIOA4   | GPIOA4  | ANA4                 |         |            |           |
| 9       | 6       | GPIOA0   | GPIOA0  | ANA0&CMPA_IN3        | CMPC_O  |            |           |
| 10      | 7       | GPIOA1   | GPIOA1  | ANA1&CMPA_IN0        |         |            |           |
| 11      | 8       | GPIOA2   | GPIOA2  | ANA2&VREFHA&CMPA_IN1 |         |            |           |
| 12      | —       | GPIOA3   | GPIOA3  | ANA3&VREFLA&CMPA_IN2 |         |            |           |
| 13      | —       | GPIOC5   | GPIOC5  | DACA_O               | XB_IN7  |            |           |
| 14      | —       | GPIOB4   | GPIOB4  | ANB4&CMPC_IN1        |         |            |           |
| 15      | 9       | VDDA     | VDDA    |                      |         |            |           |
| 16      | 10      | VSSA     | VSSA    |                      |         |            |           |
| 17      | 11      | GPIOB0   | GPIOB0  | ANB0&CMPB_IN3        |         |            |           |
| 18      | 12      | GPIOB1   | GPIOB1  | ANB1&CMPB_IN0        | DACB_O  |            |           |
| 19      | —       | VCAP     | VCAP    |                      |         |            |           |
| 20      | 13      | GPIOB2   | GPIOB2  | ANB2&VERFHB&CMPC_IN3 |         |            |           |
| 21      | —       | GPIOB3   | GPIOB3  | ANB3&VREFLB&CMPC_IN0 |         |            |           |
| 22      | 14      | VSS      | VSS     |                      |         |            |           |
| 23      | 15      | GPIOC6   | GPIOC6  | TA2                  | XB_IN3  | CMP_REF    | SS0_B     |
| 24      | —       | GPIOC7   | GPIOC7  | SS0_B                | TXD0    | XB_IN8     |           |
| 25      | 16      | GPIOC8   | GPIOC8  | MISO0                | RXD0    | XB_IN9     | XB_OUT6   |
| 26      | 17      | GPIOC9   | GPIOC9  | SCLK0                | XB_IN4  | TXD0       | XB_OUT8   |
| 27      | 18      | GPIOC10  | GPIOC10 | MOSI0                | XB_IN5  | MISO0      | XB_OUT9   |
| 28      | —       | GPIOF0   | GPIOF0  | XB_IN6               |         |            |           |
| 29      | —       | GPIOC11  | GPIOC11 |                      | SCL0    | TXD1       |           |
| 30      | —       | GPIOC12  | GPIOC12 |                      | SDA0    | RXD1       |           |
| 31      | —       | VSS      | VSS     |                      |         |            |           |
| 32      | —       | VDD      | VDD     |                      |         |            |           |
| 33      | 21      | GPIOE0   | GPIOE0  | PWM_0B               |         |            |           |
| 34      | 22      | GPIOE1   | GPIOE1  | PWM_0A               |         |            |           |
| 35      | 23      | GPIOE2   | GPIOE2  | PWM_1B               |         |            |           |
| 36      | 24      | GPIOE3   | GPIOE3  | PWM_1A               |         |            |           |
| 37      | —       | GPIOC13  | GPIOC13 | TA3                  | XB_IN6  | EWM_OUT_B  |           |
| 38      | —       | GPIOF1   | GPIOF1  | CLKO1                | XB_IN7  |            |           |
| 39      | 25      | GPIOE4   | GPIOE4  | PWM_2B               | XB_IN2  |            |           |
| 40      | 26      | GPIOE5   | GPIOE5  | PWM_2A               | XB_IN3  |            |           |
| 41      | —       | GPIOC14  | GPIOC14 | SDA0                 | XB_OUT4 | PWM_FAULT4 |           |
| 42      | —       | GPIOC15  | GPIOC15 | SCL0                 | XB_OUT5 | PWM_FAULT5 |           |
| 43      | 27      | VCAP     | VCAP    |                      |         |            |           |
| 44      | 28      | VDD      | VDD     |                      |         |            |           |



| 48<br>LQFP | 32<br>LQFP | Pin Name | Default | ALT0   | ALT1 | ALT2 | ALT3 |
|------------|------------|----------|---------|--------|------|------|------|
| 45         | 29         | VSS      | VSS     |        |      |      |      |
| 46         | 30         | TDO      | TDO     | GPIOD1 |      |      |      |
| 47         | 31         | TMS      | TMS     | GPIOD3 |      |      |      |
| 48         | 32         | TDI      | TDI     | GPIOD0 |      |      |      |

## 11.2 Pinout diagrams

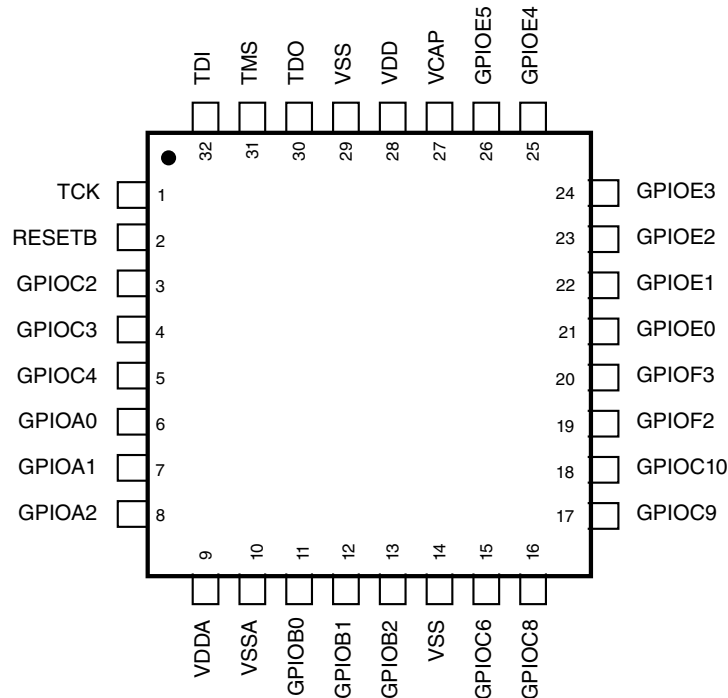
The following diagrams show pinouts for the packages. For each pin, the diagrams show the default function. However, many signals may be multiplexed onto a single pin.



**Figure 22. 48-pin LQFP**

### NOTE

The RESETB pin is a 3.3 V pin only.



**Figure 23. 32-pin LQFP and QFN**

**NOTE**

The RESETB pin is a 3.3 V pin only.

## 12 Product documentation

The documents listed in [Table 34](#) are required for a complete description and to successfully design using the device. Documentation is available from local NXP distributors, NXP sales offices, or online at [www.nxp.com](http://www.nxp.com).

**Table 34. Device documentation**

| Topic                                 | Description   | Document Number   |
|---------------------------------------|---|-------------------|
| DSP56800E/DSP56800EX Reference Manual | Detailed description of the 56800EX family architecture, 32-bit digital signal controller core processor, and the instruction set | DSP56800ERM       |
| MC56F823xx Reference Manual           | Detailed functional description and programming model   | MC56F823XXRM      |
| MC56F823xx Data Sheet                 | Electrical and timing specifications, pin descriptions, and package information (this document)                                   | MC56F823XX        |
| MC56F82xxx Errata                     | Details any chip issues that might be present   | MC56F82xxx_Errata |

## 13 Revision History

The following table summarizes changes to this document since the release of the previous version.

**Table 35. Revision History**

| Rev. No. | Date              | Substantial Changes  |
|----------|-------------------|--|
| 2        | 10/2013           | First public release   |
| 2.1      | 11/2013           | <ul style="list-style-type: none"> <li>In <a href="#">Table 2</a>, added DACB_O signal description.</li> <li>In <a href="#">Obtaining package dimensions</a>, changed 32-QFN's document number from '98ARE10566D' to '98ASA00473D'.</li> </ul>   |
| 2.2      | 03/2016 - 05/2016 | <ul style="list-style-type: none"> <li>In "12-bit ADC Electrical Specifications" table, corrected Max Gain Error to 0.990 to 1.010.</li> <li>In Part identification section, in part number fields table, added the 32QFN package identifier.</li> <li>In Electrical design considerations" section, added additional section "Power-on Reset design considerations".</li> <li>Added new section "Power-on Reset design considerations".</li> <li>In "Peripheral highlights" section, added <ul style="list-style-type: none"> <li>Periodic Interrupt Timer (PIT) Modules</li> <li>External Watchdog Monitor (EWM)</li> </ul> </li> </ul>  |
| 3.0      | 09/2016           | <ul style="list-style-type: none"> <li>Removed PDB (Programmable Delay Block) mentions, because PDBs are not present in these devices.</li> <li>Moved "Signal groups" section under "MC56F823xx signal and pin descriptions" section.</li> <li>In "Voltage and current operating ratings" section: updated note; in "Absolute Maximum Ratings" table, added Junction Temperature row, fixed broken footnotes.</li> <li>In "Power consumption operating behaviors" section, in "Current Consumption" table: fixed broken footnotes; removed a footnote (#2).</li> <li>In "Relaxation Oscillator Timing" section, in "Relaxation Oscillator Electrical Specifications" table: fixed broken footnotes, corrected and combined 2 footnotes.</li> </ul> |

**How to Reach Us:**

**Home Page:**

[nxp.com](http://nxp.com)

**Web Support:**

[nxp.com/support](http://nxp.com/support)

Information in this document is provided solely to enable system and software implementers to use NXP products. There are no express or implied copyright licenses granted hereunder to design or fabricate any integrated circuits based on the information in this document. NXP reserves the right to make changes without further notice to any products herein.

NXP makes no warranty, representation, or guarantee regarding the suitability of its products for any particular purpose, nor does NXP assume any liability arising out of the application or use of any product or circuit, and specifically disclaims any and all liability, including without limitation consequential or incidental damages. "Typical" parameters that may be provided in NXP data sheets and/or specifications can and do vary in different applications, and actual performance may vary over time. All operating parameters, including "typicals," must be validated for each customer application by customer's technical experts. NXP does not convey any license under its patent rights nor the rights of others. NXP sells products pursuant to standard terms and conditions of sale, which can be found at the following address: [nxp.com/SalesTermsandConditions](http://nxp.com/SalesTermsandConditions).

NXP, the NXP logo, and I2C are trademarks of NXP B.V. All other product or service names are the property of their respective owners. All rights reserved.

© 2013–2016 NXP B.V.

