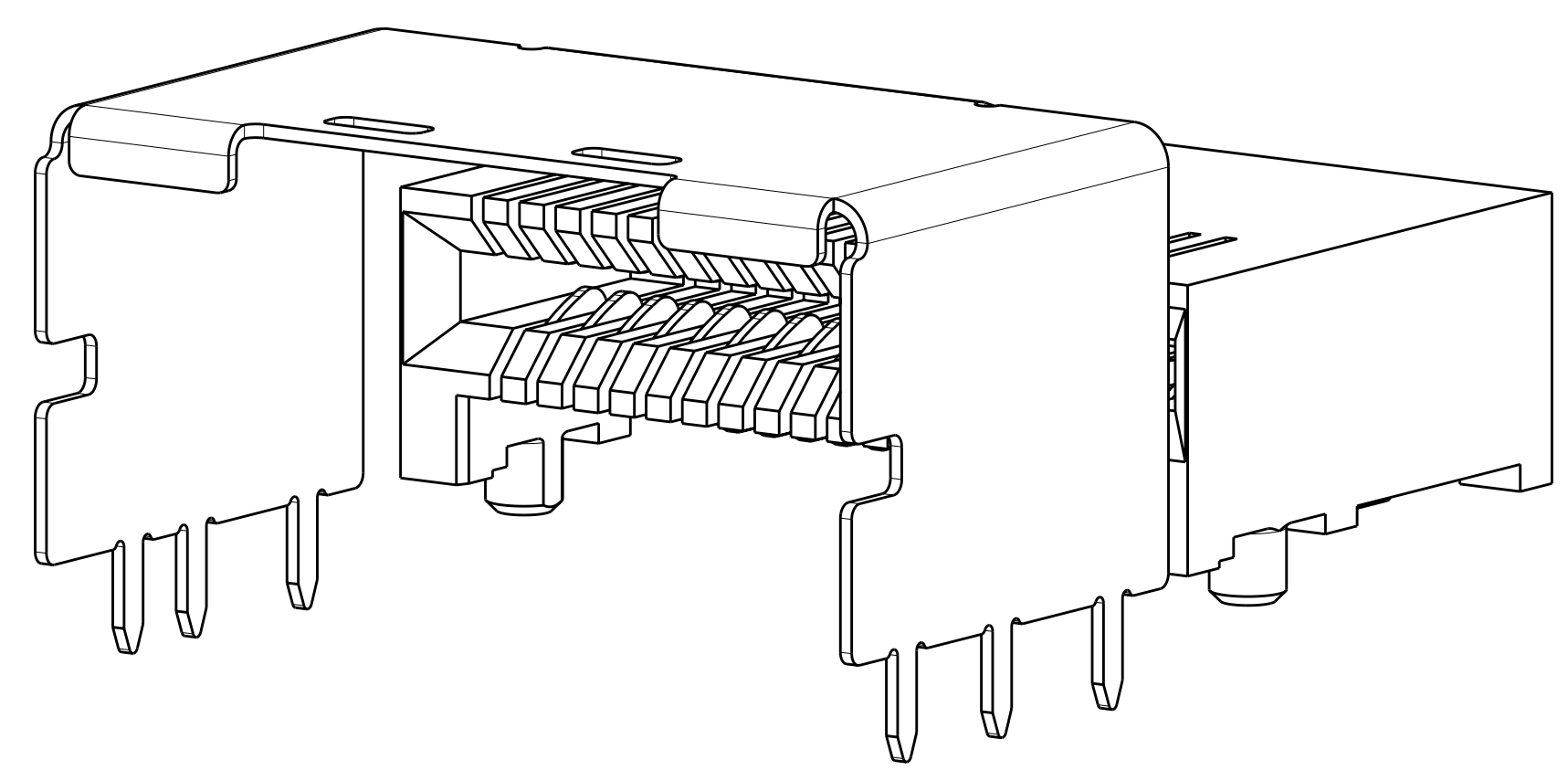
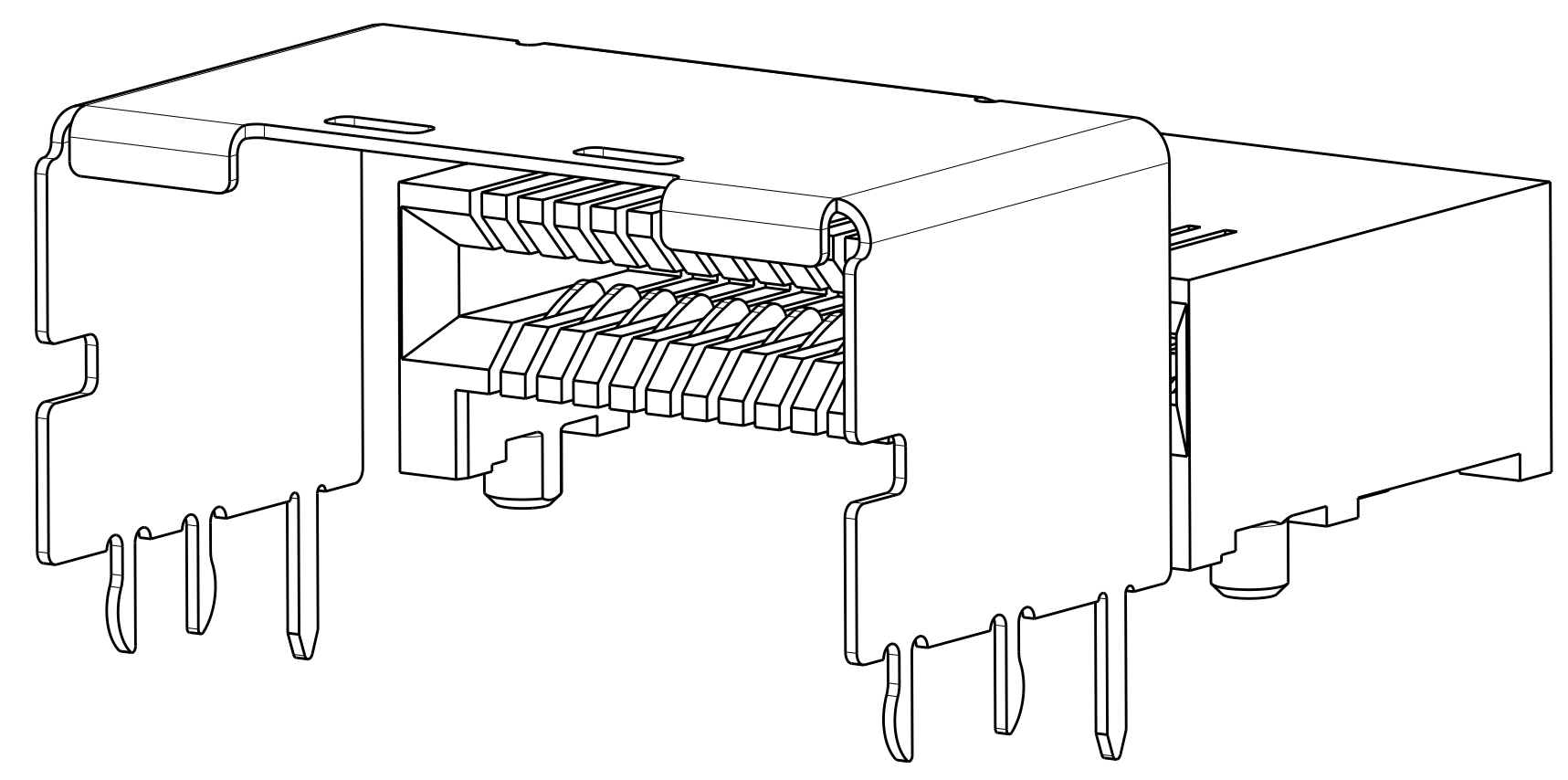


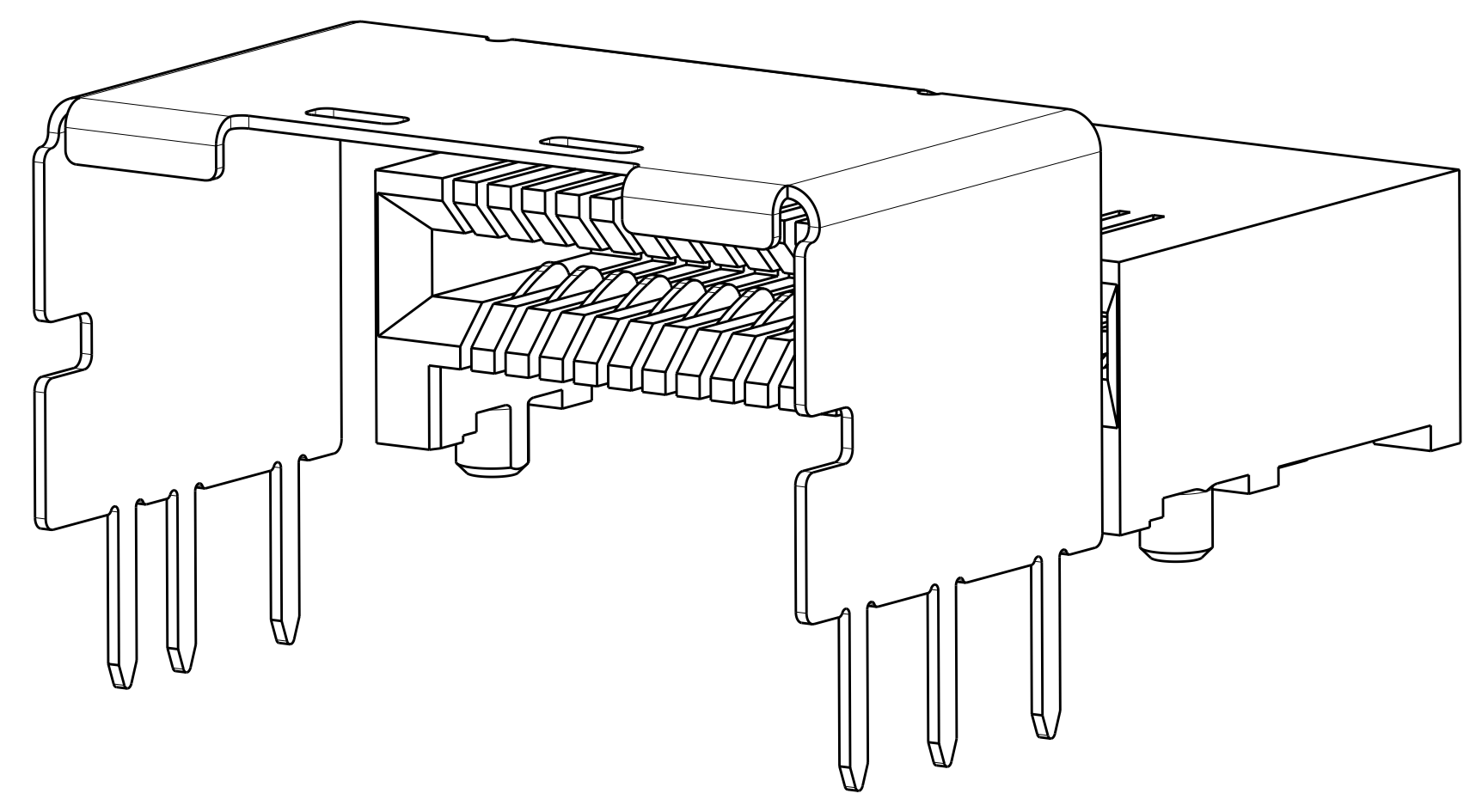
LOC	DIST	REVISIONS			
GP	00	REV	DATE	BY	APPD
		B2	11MAR2011	RK	HMR



1888019-2
 SHOWN WITHOUT PICK AND PLACE DEVICE
 SCALE 8:1

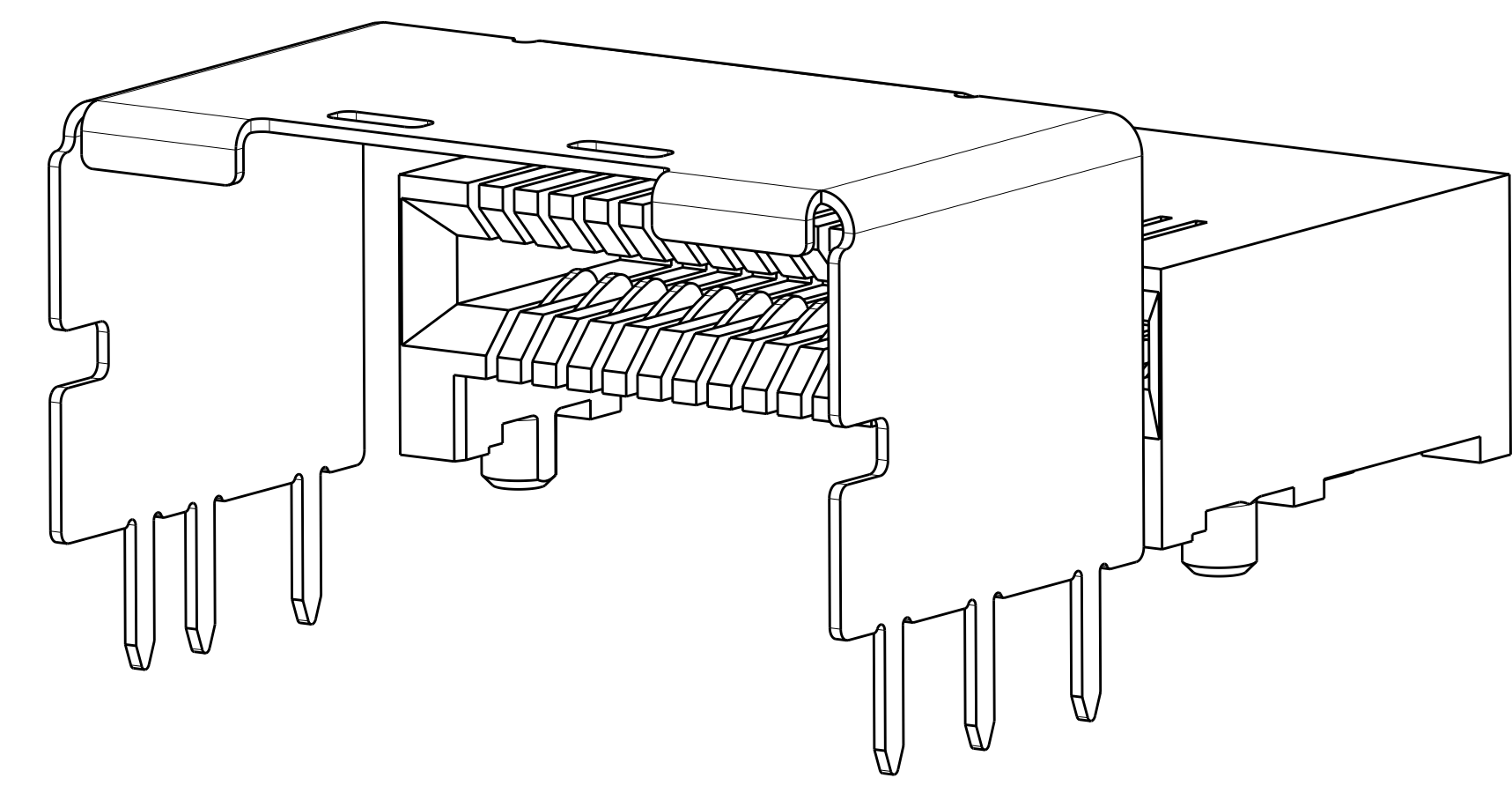


1888019-4
 SHOWN WITHOUT PICK AND PLACE DEVICE
 SCALE 8:1



1888019-8
 SHOWN WITHOUT PICK AND PLACE DEVICE
 SCALE 8:1

- ① MATERIAL: LCP, BLACK.
- ② MATERIAL: PHOSPHOR BRONZE PER ASTM B 103.
- ③ FINISH: 0.76µm MIN GOLD PLATE PER ASTM B 488, APPLIES TO INTERFACE AREA AND 2.03µm MIN TIN PLATE SOLDER TAILS, ALL OVER 3.81µm MIN NICKEL PLATE PER QQ-N-290.
- ④ MATERIAL: NICKEL-SILVER PER ASTM B 122.
- ⑤ DATUM AND BASIC DIMENSION ESTABLISHED BY CUSTOMER.
- 6. REFER TO CUSTOMER DRAWING 1761987 FOR CONNECTOR DETAILS.
- 7. PACKAGED IN TAPE AND REEL PER EIA-481.
- ⑧ FINISH: 0.38µm MIN GOLD PLATE PER ASTM B 488, APPLIES TO INTERFACE AREA AND 2.03µm MIN TIN PLATE SOLDER TAILS, ALL OVER 3.81µm MIN NICKEL PLATE PER QQ-N-290.



1888019-6
 SHOWN WITHOUT PICK AND PLACE DEVICE
 SCALE 8:1

⑧	THRU HOLE	3.5	17.8	16	16	36	18.05	36	1-1888019-2
	THRU HOLE	2.8	17.8	16	16	36	18.05	36	1-1888019-1
	PRESS FIT	-	17.8	16	16	36	18.05	36	1-1888019-0
	THRU HOLE	2	17.8	16	16	36	18.05	36	1888019-9
③	THRU HOLE	3.5	17.8	16	16	36	18.05	36	1888019-8
	THRU HOLE	2.8	17.8	16	16	36	18.05	36	1888019-6
	PRESS FIT	-	17.8	16	16	36	18.05	36	1888019-4
	THRU HOLE	2	17.8	16	16	36	18.05	36	1888019-2
FINISH	SHELL TYPE	G	E	D	C	B	A	POSN	PART NUMBER

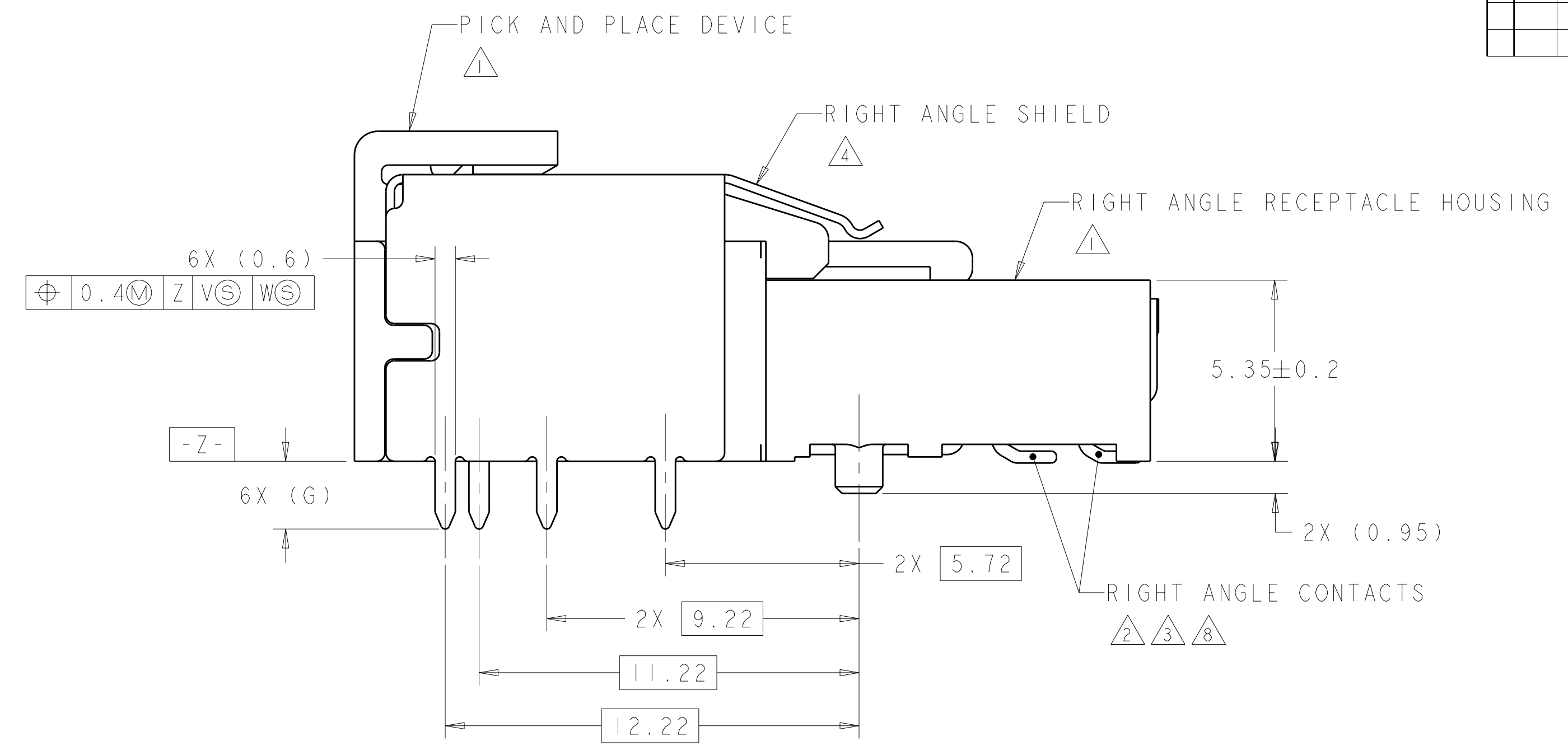
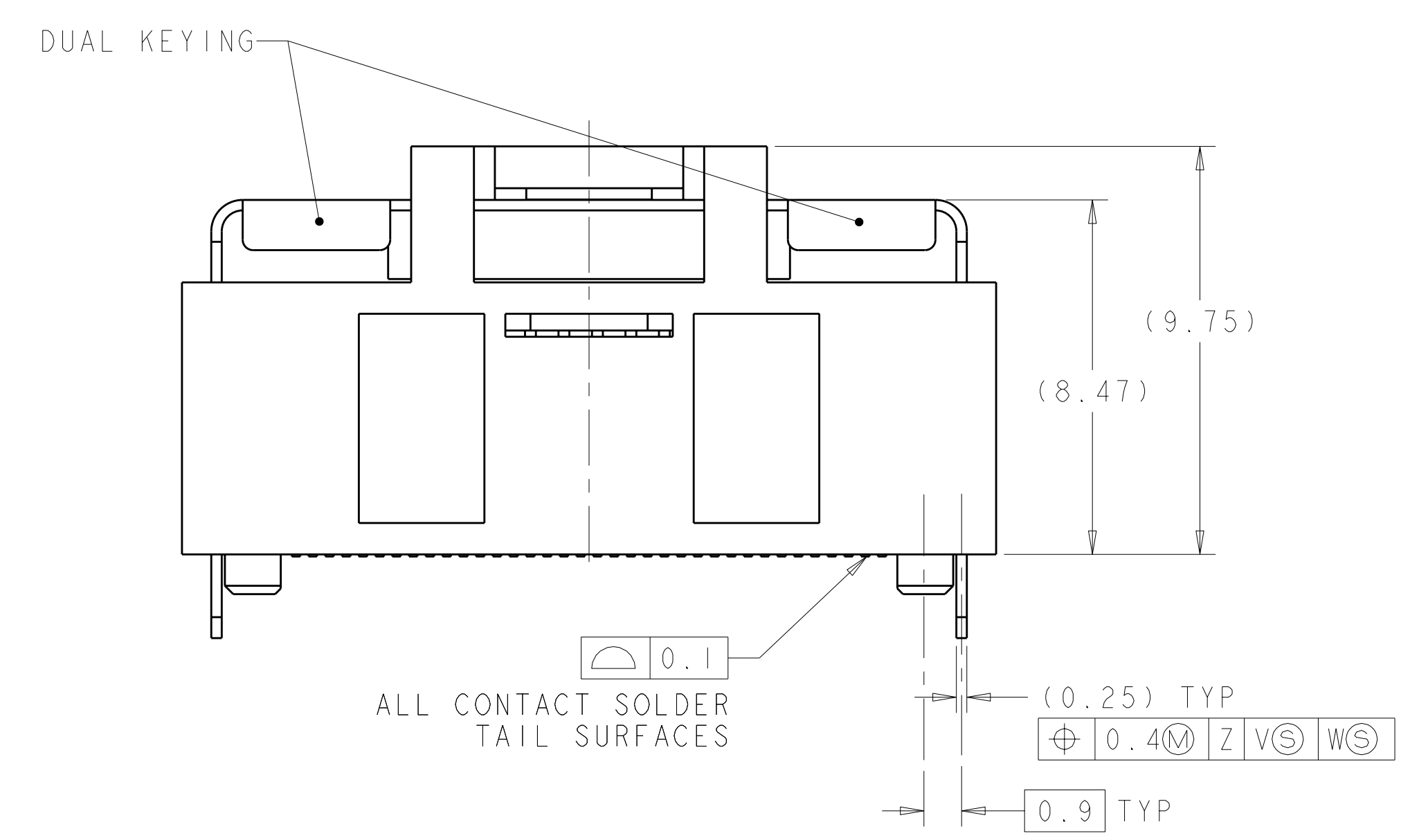
THIS DRAWING IS A CONTROLLED DOCUMENT.

DIMENSIONS:	TOLERANCES UNLESS OTHERWISE SPECIFIED:	DWN M. E. CONNER 18JUL2005	CHK R. R. HENRY 18JUL2005	APVD R. R. HENRY 18JUL2005
mm	0 PLC ±	NAME EVERCLEAR Mini-SAS RIGHT ANGLE INTERNAL RECEPTACLE ASSEMBLY WITH DUAL KEYED SHELL		
	1 PLC ±	SIZE CAGE CODE DRAWING NO RESTRICTED TO		
	2 PLC ±	A100779C-1888019		
	3 PLC ±	SCALE 8:1 SHEET 1 OF 3 REV B2		
	4 PLC ±	CUSTOMER DRAWING		
	ANGLES ±			
MATERIAL SEE NOTES	FINISH SEE TABLE			

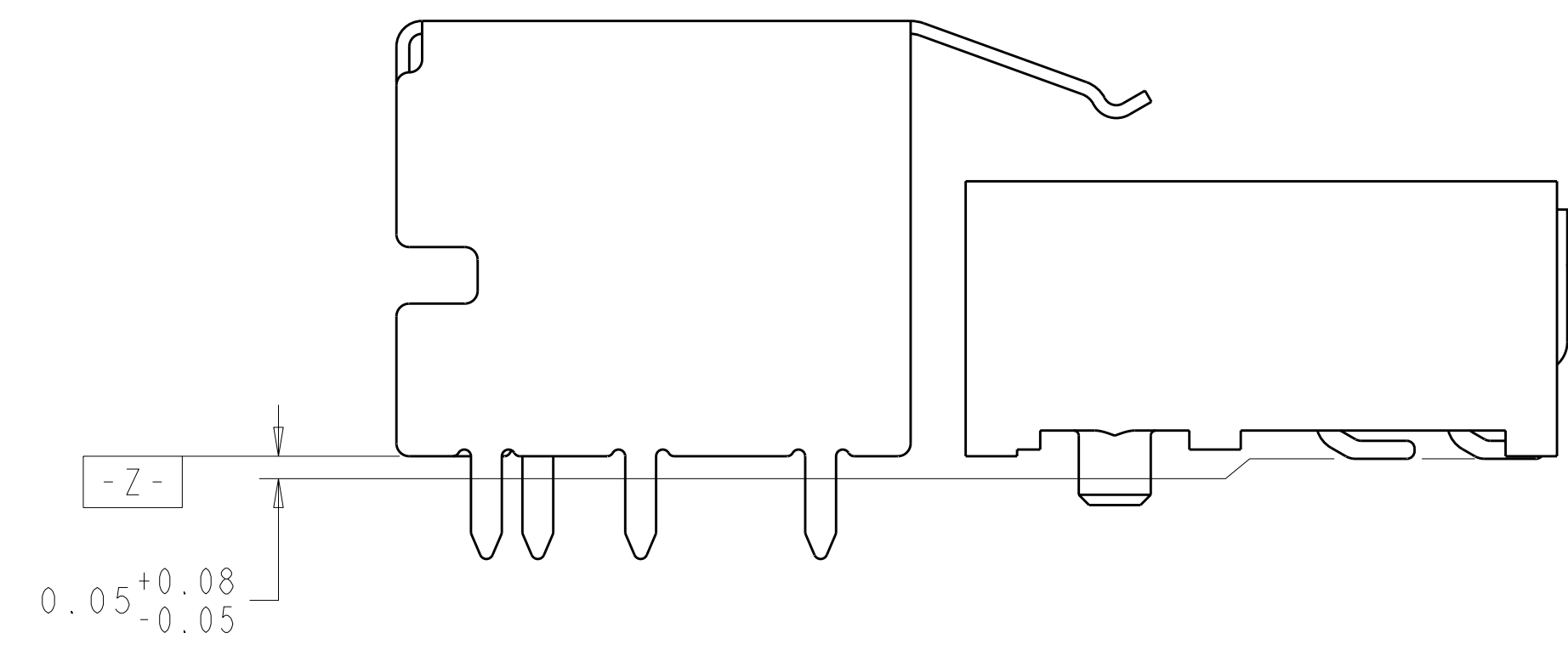
STE TE Connectivity

LOC	DIST	REV	DATE	BY	APPD
GP	00				

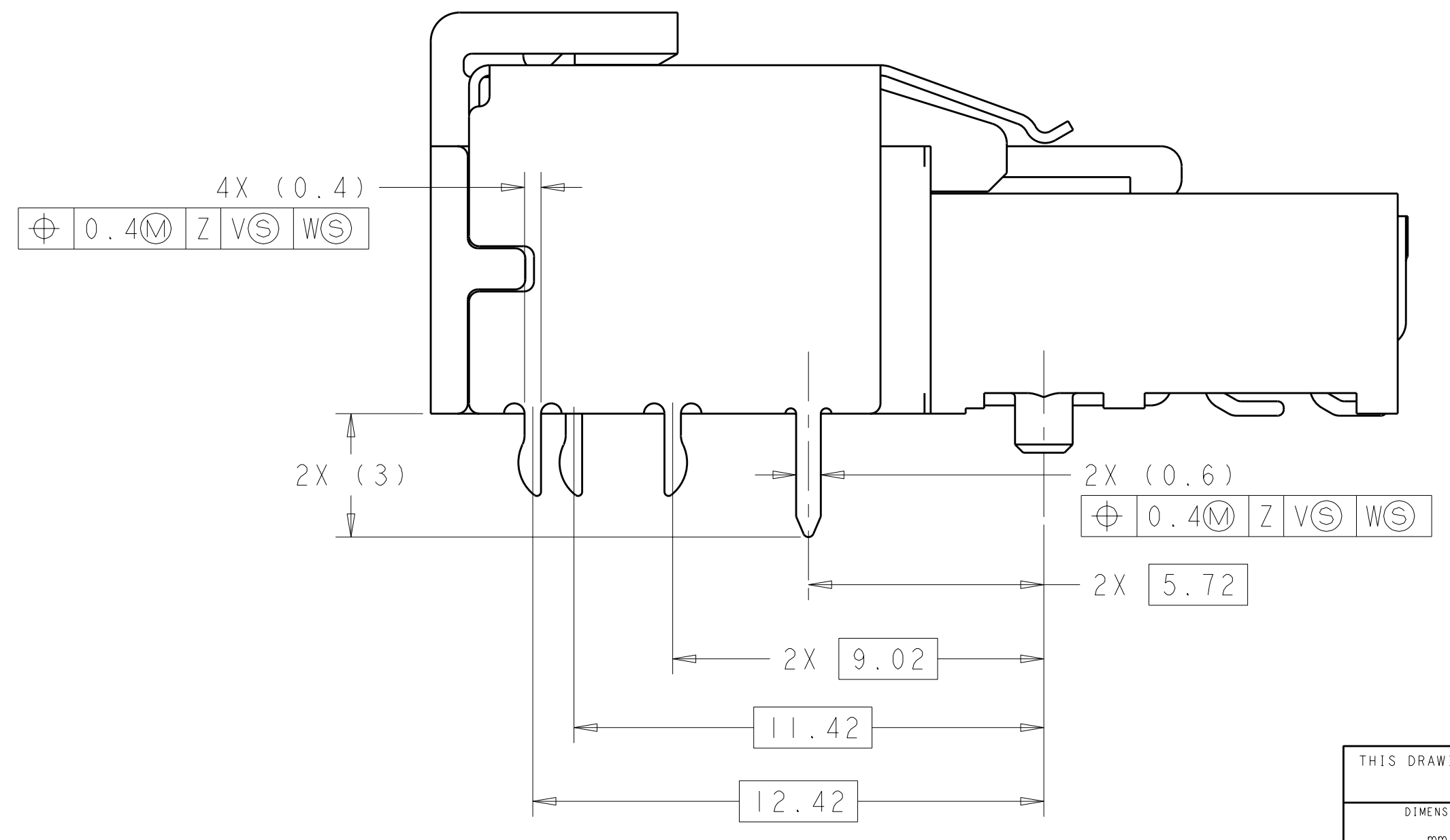
REVISIONS		DATE	BY	APPD
1	SEE SHEET 1			



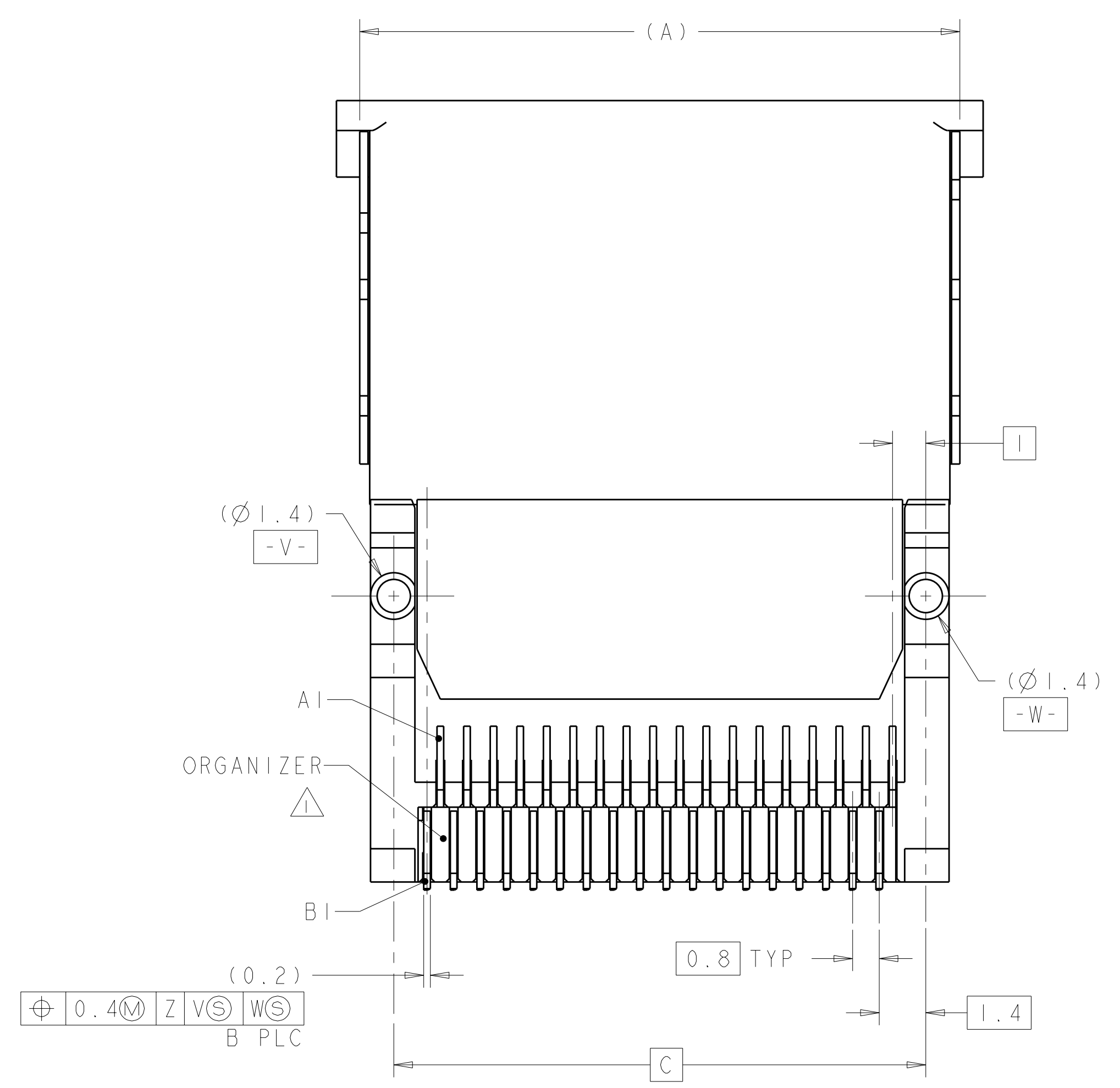
1888019-2



PICK AND PLACE DEVICE OMITTED FOR CLARITY

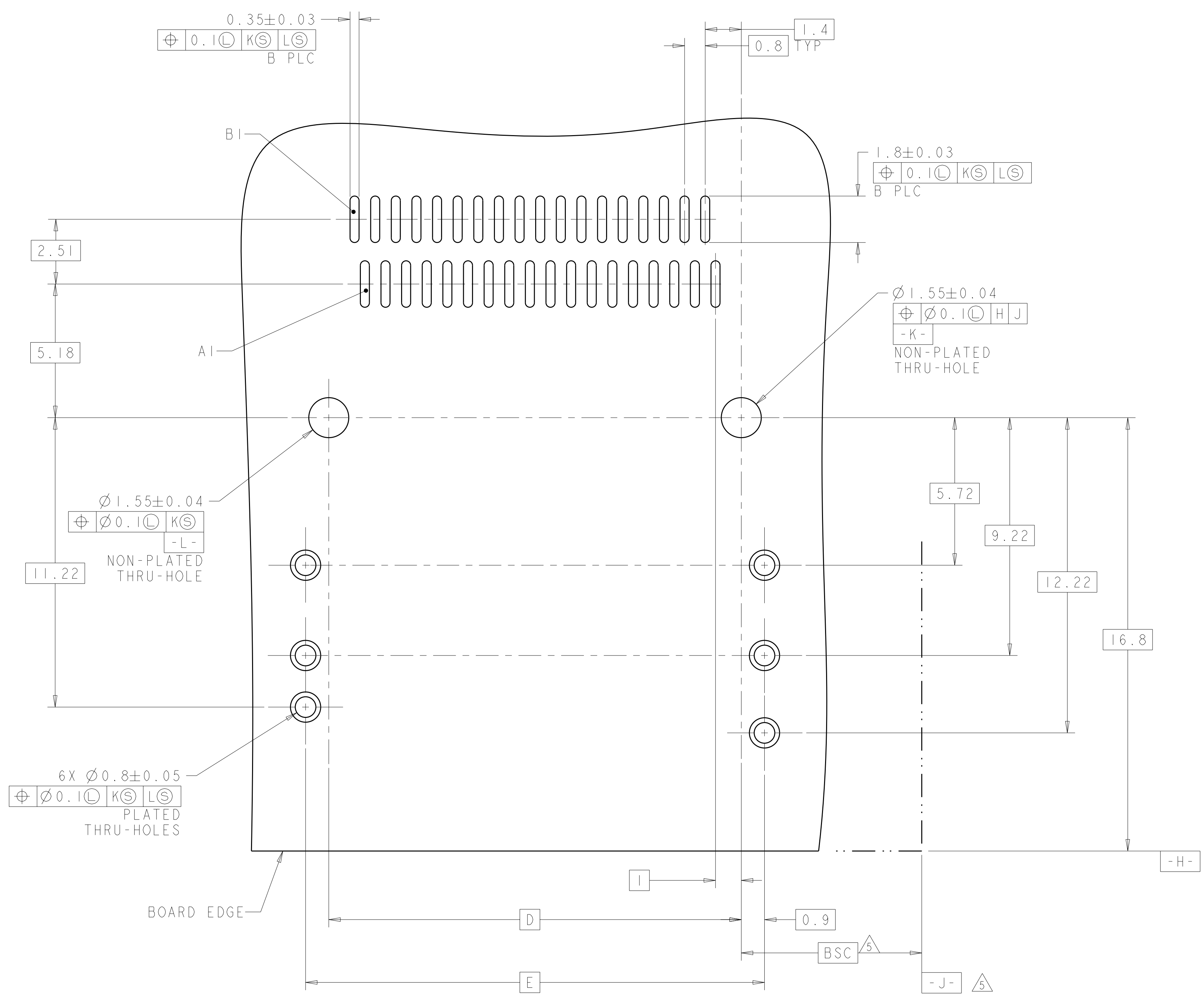


1888019-4



THIS DRAWING IS A CONTROLLED DOCUMENT.		DWN M.E. CONNER 18JUL2005 CHK R.R. HENRY 18JUL2005 APVD R.R. HENRY 18JUL2005	TE Connectivity
DIMENSIONS: mm 	TOLERANCES UNLESS OTHERWISE SPECIFIED: 9 PLC ± 5 PLC ± 4 PLC ± ANGLES ±	NAME EVERCLEAR Mini-SAS RIGHT ANGLE INTERNAL RECEPTACLE ASSEMBLY WITH DUAL KEYED SHELL PRODUCT SPEC 108-2234 APPLICATION SPEC	
MATERIAL SEE NOTES	FINISH SEE TABLE	WEIGHT - CUSTOMER DRAWING	SIZE CAGE CODE DRAWING NO. RESTRICTED TO A100779C=1888019 SCALE 8:1 SHEET 2 OF 3 REV B2

LOC	DIST	REVISIONS			
GP	00	REV	DATE	BY	APPD
		1	SEE SHEET 1		



RECOMMENDED PCB LAYOUT
 SCALE 10:1

THIS DRAWING IS A CONTROLLED DOCUMENT.		DWN M. E. CONNER 18JUL2005 CHK R. R. HENRY 18JUL2005 APVD R. R. HENRY 18JUL2005	TE Connectivity	
DIMENSIONS: mm 	TOLERANCES UNLESS OTHERWISE SPECIFIED: 9 PLC ± 5 PLC ± 5 PLC ± 4 PLC ± ANGLES ± FINISH ±	NAME EVERCLEAR Mini-SAS RIGHT ANGLE INTERNAL RECEPTACLE ASSEMBLY WITH DUAL KEYED SHELL PRODUCT SPEC 108-2234 APPLICATION SPEC	SIZE CAGE CODE DRAWING NO A100779C-1888019	RESTRICTED TO
MATERIAL SEE NOTES	FINISH SEE TABLE	WEIGHT	CUSTOMER DRAWING	SCALE 8:1 SHEET 3 OF 3 REV B2