

Thermofit® Molded Parts

Specification Control Drawing

Part Number: 102A962
Description: Switch Cover

Notes:

- All dimensions are in $\frac{\text{Inches}}{\text{[Millimeters]}}$
- Dimensions appearing in table are as follows:
 a - as supplied
 b - after unrestricted recovery
- Coating is optional. As supplied dimensions appearing in table are for uncoated parts. When coating is added, entry diameters will be reduced by .06 max.
- Standard color is grey. Other colors available upon request.

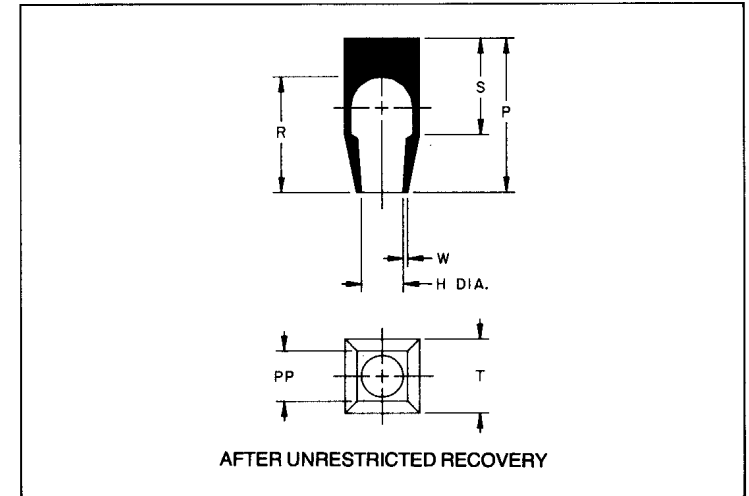
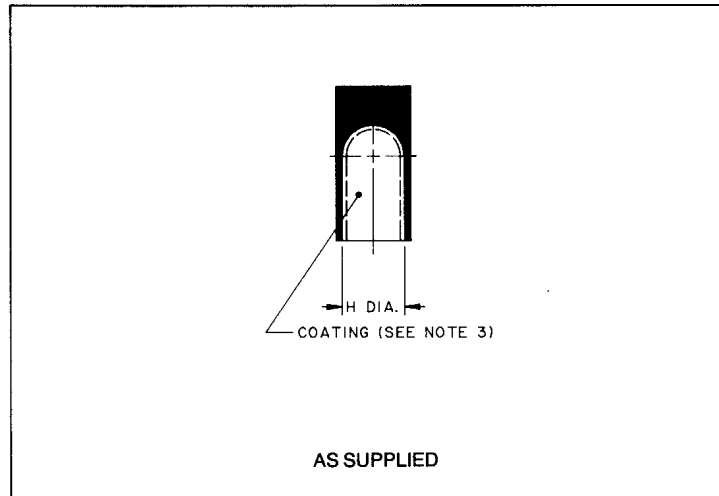


Table of Dimensions									
Part Number	H		P	R	S	T	PP	W	Weight Nom
	Min a	Max b	±10% b	±10% b	Ref b	±10% b	±10% b	±20% b	
102A962	$\frac{.50}{[12,7]}$	$\frac{.28}{[7,1]}$	$\frac{1.04}{[26,4]}$	$\frac{.78}{[19,8]}$	$\frac{.65}{[16,5]}$	$\frac{.49}{[12,4]}$	$\frac{.31}{[7,9]}$	$\frac{.03}{[0,76]}$	$\frac{.007}{[3,0]}$

Thermofit® Molded Parts

Specification Control Drawing

Part Number: 102A962
Description: Switch Cover

Compatability Chart					
Material Dash No.	Material Description	RT Spec	Coating Slash No.	Coating S No.	Coating Description
- 3	Polyolefin, Semi-Rigid	RT-301	/42	S-1017	Adhesive

Ordering Information:

102A962 — X — XX / XX

Base part number

Material dash number
 (see compatability chart)

Modification number
 (if necessary, see front of SCD binder
 for a complete modification list)

Adhesive slash number
 (if necessary, see compatability chart)

This drawing is subject to change without notice; consult your nearest field representative for current revision.

Raychem

Raychem Corporation
 300 Constitution Drive
 Menlo Park, California 94025
 415) 361 6055

If this document is printed it becomes uncontrolled.
 Check with the web for latest revision.

Revision: **B**
 Date: **3-8-90**

Part Number: 102A962
Description: Switch Cover