

601-CS-D-P1

Monitors a zero-sequence CT for high accuracy ground fault protection

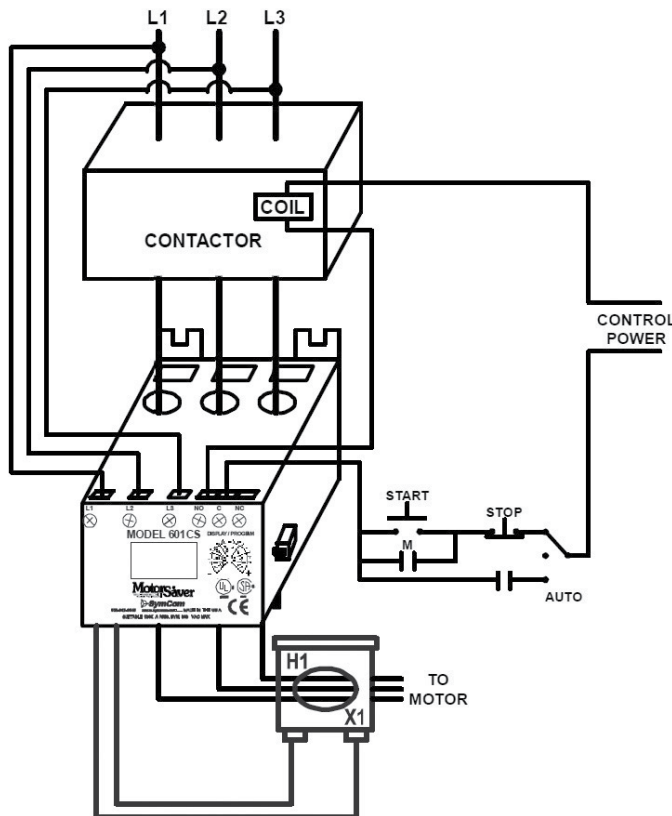


Description

The 601-CS-D-P1 3-phase power monitor is a fully programmable electronic power monitor designed to monitor 3-phase systems. The 601-CS-D-P1 has a single relay that can be configured as a general purpose network output or to trip on ground faults. The 601-CS-D-P1 monitors ground fault current, phase currents, phase voltages, power factor and frequency. The RS485MS-2W communications module allows the 601-CS-D-P1 to communicate using the Modbus RTU protocol. The Modbus connection can be used to monitor power parameters, setup the device or control the fault relay. A DeviceNet™ communications I/O module (CIO-601CS-DN-P1) is available as well. This CIO module only works with the 601-CS-D-P1 unit. It is used for sending the information from the 601-CS-D-P1 over a DeviceNet™ network. It also provides I/O capabilities and the ability to set the parameters of the 601-CS-D-P1.

Note: This product must be used with an external Zero-Sequence CT for proper operation (not included).

Wiring Diagram



Features & Benefits

FEATURES	BENEFITS
Built-in display	Visual indication for programming and viewing real-time parameters for nominal voltage, voltage unbalance, current, current unbalance, ground fault warning, ground fault trip, and ground fault motor acceleration
15 Programmable parameters to control the device operation	Allows the user to customize the protection required for their system
2 programmable trip delay timers	Program separate trip delay time for motor acceleration and ground fault
Network communications capability	Compatible with Modbus RTU and DeviceNet™ protocols with the use of separate communications module

Accessories

CIO-601CS-DN-P1 Module
Convenient, cost-effective DeviceNet™ interface device capable of providing discrete control and monitoring of motor starters, drives and other devices over a DeviceNet™ network.



601-CS-D-P1

Specifications

Input Characteristics

Line Voltage	200-480VAC
Frequency	50/60Hz
Motor Full Load Amp Range	0.5-175A (direct) 176-800A (CTs required)
Input Ground Fault Current	0.5-10A

Output Characteristics

Output Contact Rating (SPDT)	
Pilot Duty	480VA @ 240VAC
General Purpose	10A @ 240VAC
Expected Life	
Mechanical	1 x 10 ⁶ operations
Electrical	1 x 10 ⁵ operations at rated load

General Characteristics

Ambient Temperature Range	
Operating	-20° to 70°C (-4° to 158°F)
Storage	-40° to 80°C (-40° to 176°F)
Accuracy at 25° C (77° F)	
Voltage	+/-1%
Current	+/-3% (<175A direct)
GF Current	+/-3%
Repeatability	
Voltage	+/-0.5% of nominal voltage
Current	+/-1% (<175A direct)
Maximum Input Power	10 W
Pollution Degree	3
Class of Protection	IP20
Relative Humidity	10-95%, non-condensing per IEC 68-2-3
Terminal Torque	7in.-lbs.

Standards Passed

Electrostatic Discharge (ESD)	IEC 61000-4-2, Level 3, 6kV contact, 8kV air
Radio Frequency Immunity, Conducted	IEC 61000-4-6, Level 3 10V
Radio Frequency Immunity, Radiated	IEC 61000-4-3, Level 3, 10 V/m
Fast Transient Burst	IEC 61000-4-4, Level 3, 3.5kV input power
Short Circuit Rating	100kA rms, SYM, 600VAC max.
Surge Immunity IEC	IEC 61000-4-5, Level 3, 2kV line-to-line; Level 4, 4kV line-to-ground
ANSI/IEEE	C62.41 Surge and Ring Wave Compliance to a level of 6kV line-to-line Meets UL508 (2 x rated V +1000V for 1 minute)
High Potential Test	
Safety Marks	
UL	UL508 (File #E68520)
CE	IEC 60947-1, IEC 60947-5-1
Max Conductor Size (with insulation)	0.65"
Dimensions	H 77.47 mm (3.05"); W 97.79 mm (3.85"); D 128.27 mm (5.05")
Weight	1.2 lbs. (19.2 oz., 544.31 g)
Mounting Method	Surface mount (4 - #8 screws) or DIN rail mount