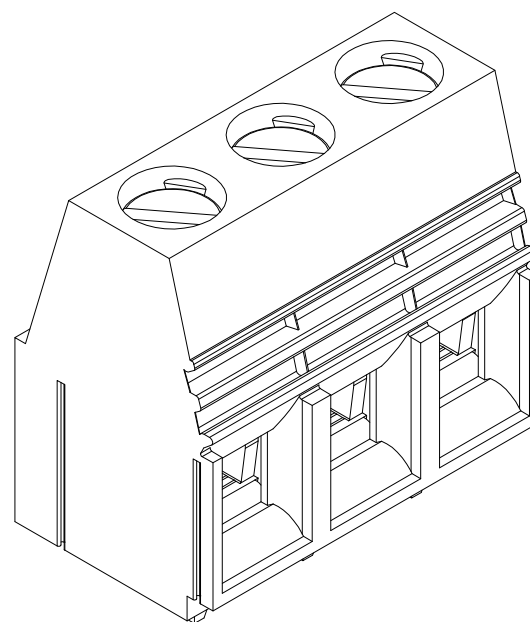
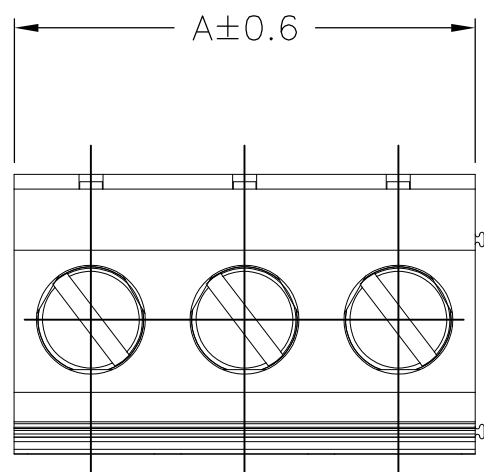


THIS DRAWING IS UNPUBLISHED. RELEASED FOR PUBLICATION
 © COPYRIGHT BY TYCO ELECTRONICS CORPORATION. ALL INTERNATIONAL RIGHTS RESERVED.

LOC FT DIST 0

REVISIONS				
P	LTR	DESCRIPTION	DATE	APVD
	A1	REV PER ECR 10-017911	27AUG10	JR CR



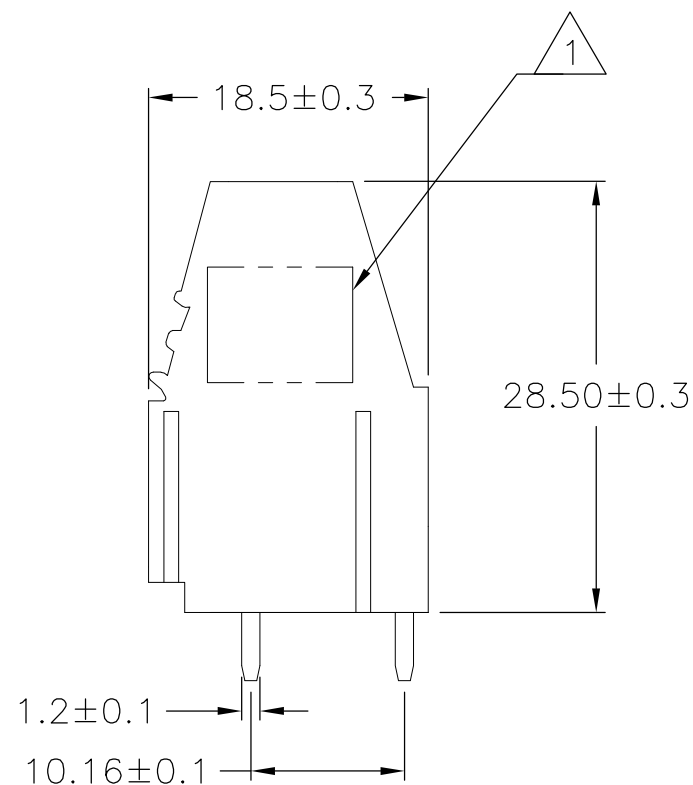
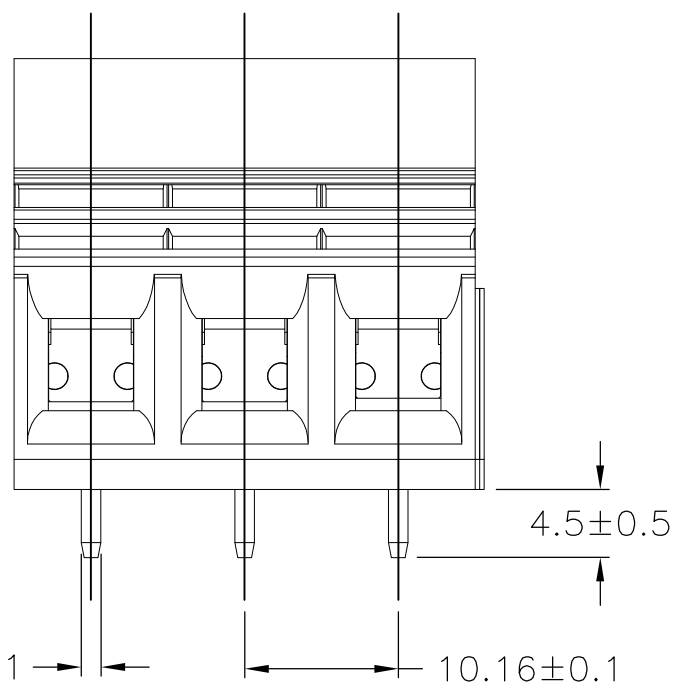
MATERIAL:
 HOUSING: PA66, UL94V-0,
 COLOR: SEE TABLE
 PIN: BRASS, TIN PLATED
 WIRE GUARD: BRASS, NICKEL PLATED
 SCREWS: M4, STEEL, ZINC PLATED

ELECTRICAL:
 VOLTAGE RATING: 300V
 CURRENT RATING: 65A
 INSULATION RESISTANCE: 2000Mohm/500V
 WITHSTANDING VOLTAGE: AC2000V/1 MIN
 WIRE RANGE: 26-6 AWG

MECHANICAL:
 WORKING TEMP.: -40°C TO +105°C
 MAX SOLDERING: +250°C FOR 5 SEC.
 TIGHTENING TORQUE: 20.5 IN-LB

1 TE LOGO AND COUNTRY OF ORIGIN AND T CODE, LOCATED IN APPROXIMATE AREA SHOWN.

2 RECOMMENDED PCB MOUNTING HOLE DIA 1.6



COLOR	DIM A	NO OF POS	PART NUMBER
BLACK	30.48	3	1-1986660-3
BLACK	20.32	2	1-1986660-2
GREEN	30.48	3	1986660-3
GREEN	20.32	2	1986660-2

THIS DRAWING IS A CONTROLLED DOCUMENT.		DWN JR RUTH 27AUG10	Tyco Electronics Corporation Harrisburg, PA 17105-3608	
DIMENSIONS: mm		CHK CATHY RICHARD 27AUG10		
TOLERANCES UNLESS OTHERWISE SPECIFIED:		APVD CATHY RICHARD 27AUG10	NAME	
0 PLC ± - 1 PLC ± 0.3 2 PLC ± 0.25 3 PLC ± - 4 PLC ± - ANGLES ± -		PRODUCT SPEC	TERMINAL BLOCK, POWER CONNECTOR 10.16 PITCH	
MATERIAL -		FINISH -	APPLICATION SPEC	RESTRICTED TO
		WEIGHT -	SIZE A3	CAGE CODE 00779
		CUSTOMER DRAWING	DRAWING NO C-1986660	SCALE 2:1
			SHEET 1 OF 1	REV A1