

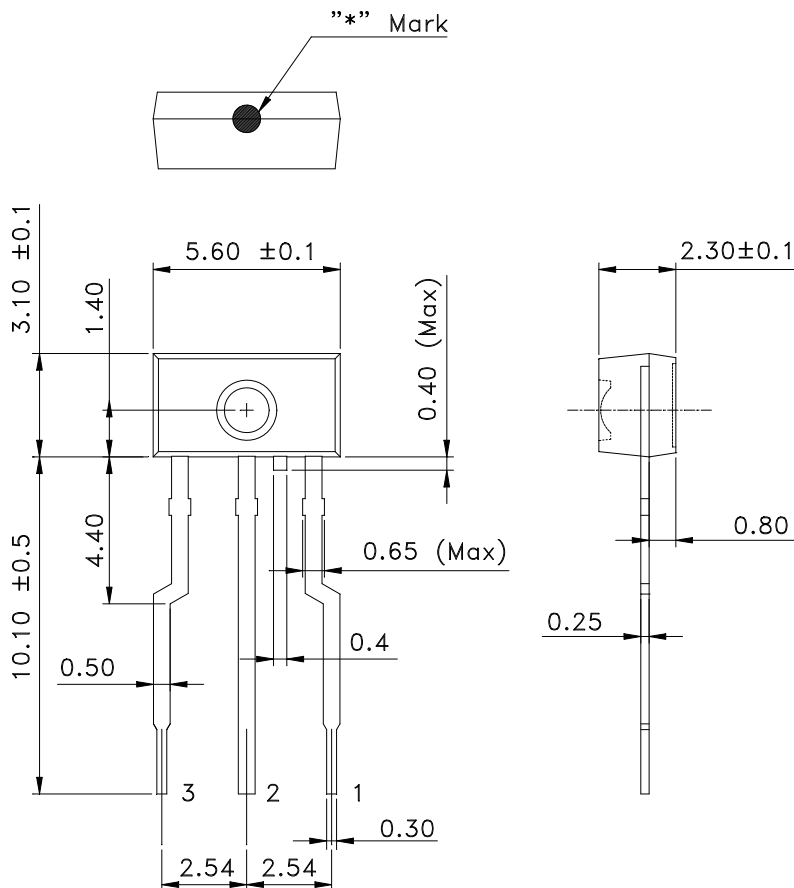
FEATURES

- * TTL INTERFACE COMPATIBLE
- * HIGH SPEED OPTIC SIGNAL TRANSMISSION
- * BUILT-IN LED DRIVER
- * LOW POWER CONSUMPTION

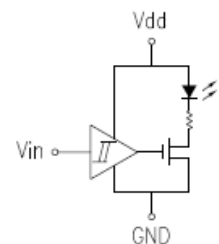
* V _{DD}	V _{in}	LED	V _{DD}	V _{in}	LED
2.7V ~ 5.25V	HIGH	ON	FLOATING	HIGH	OFF
2.7V ~ 5.25V	LOW	OFF	FLOATING	LOW	OFF
2.7V ~ 5.25V	FLOATING	OFF			

- * WATER CLEAR COMPOUND PACKAGED.

PACKAGE DIMENSIONS



- 1.GND
- 2.Vcc
- 3.Vin



NOTES:

1. All dimensions are in millimeters (inches).
2. Tolerance is ±0.15mm(.004") unless otherwise noted.
3. Lead spacing is measured where the leads emerge from the package.
4. Mark: Black color.



LITE-ON TECHNOLOGY CORPORATION

Property of Lite-On Only

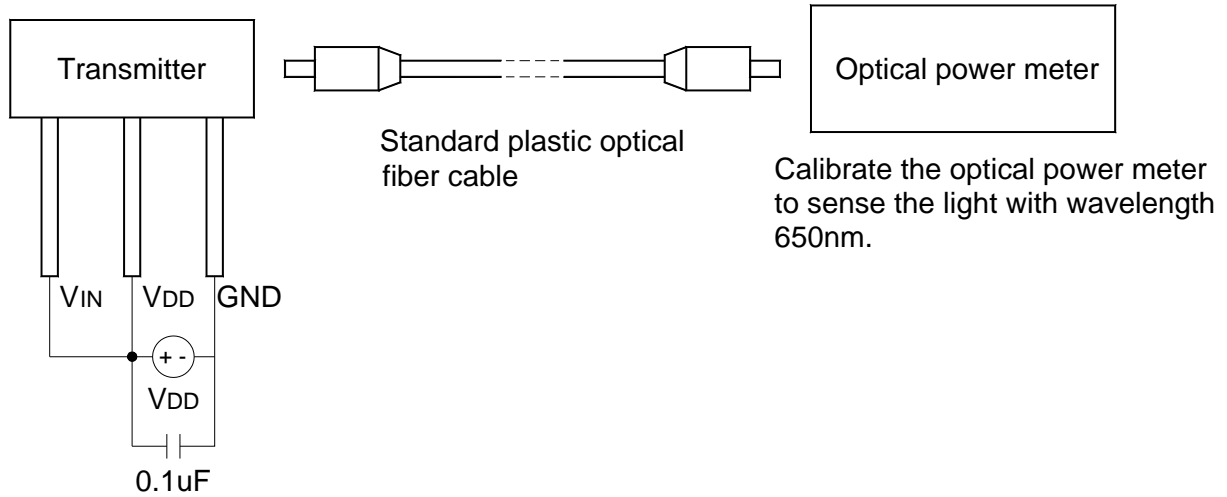
ABSOLUTE MAXIMUM RATINGS AT TA=25°C

PARAMETER	MAXIMUM RATING	UNIT
Supply Voltage (V _{DD})	-0.5 ~ +7	V
Input Voltage (V _{IN})	-0.5 ~ V _{DD} +0.5	V
Power Dissipation (P)	120	mW
Human Body Model ESD (HBM)	3K	V
Machine Model ESD (MM)	300	V
Operating Temperature Range	-25 °C to + 70 °C	
Storage Temperature Range	-40 °C to + 70 °C	
Lead Soldering Temperature [1.6mm(.063") From Body]	260°C for 5 Seconds	

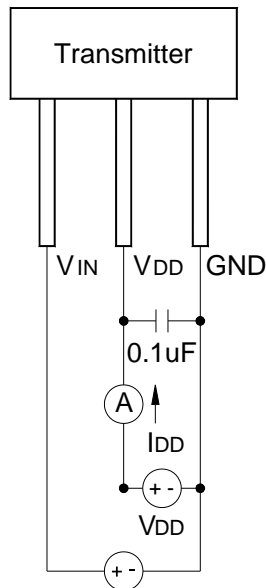
ELECTRICAL OPTICAL CHARACTERISTICS AT TA=25°C

PARAMETER	SYMBOL	MIN.	TYP.	MAX.	UNIT	TEST CONDITION
Transmission Speed	T _s	—	—	25	Mbps	NRZ signal
Operating Voltage	V _{DD}	2.75	—	5.25	V	
Peak Emission Wavelength	λ _{Peak}	630	650	690	nm	
Fiber coupling light output	P _c	-21	-17	-15	dBm	*1
Dissipation current	I _{DD}	—	5	12	mA	*2
High level input voltage	V _{IH}	2	—	—	V	
Low level input voltage	V _{IL}	—	—	0.8	V	
“Low→High”propagation delay time	t _{PLH}	—	—	100	ns	*3
“High→Low”propagation delay time	t _{PHL}	—	—	100	ns	
Pulse width distortion	Δt _w	-15	—	15	ns	
Jitter	Δt _j	—	—	15	ns	

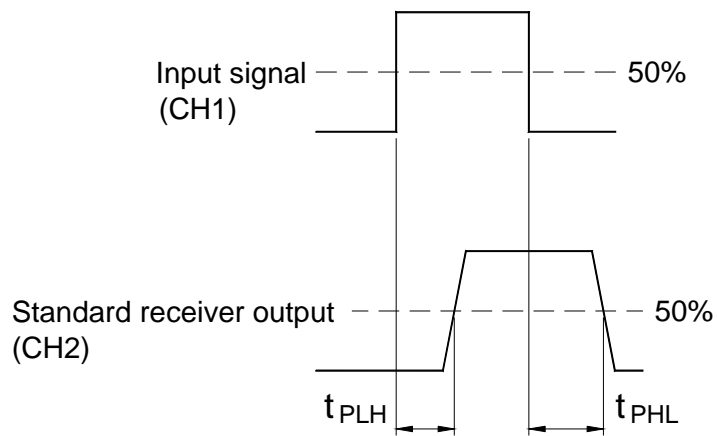
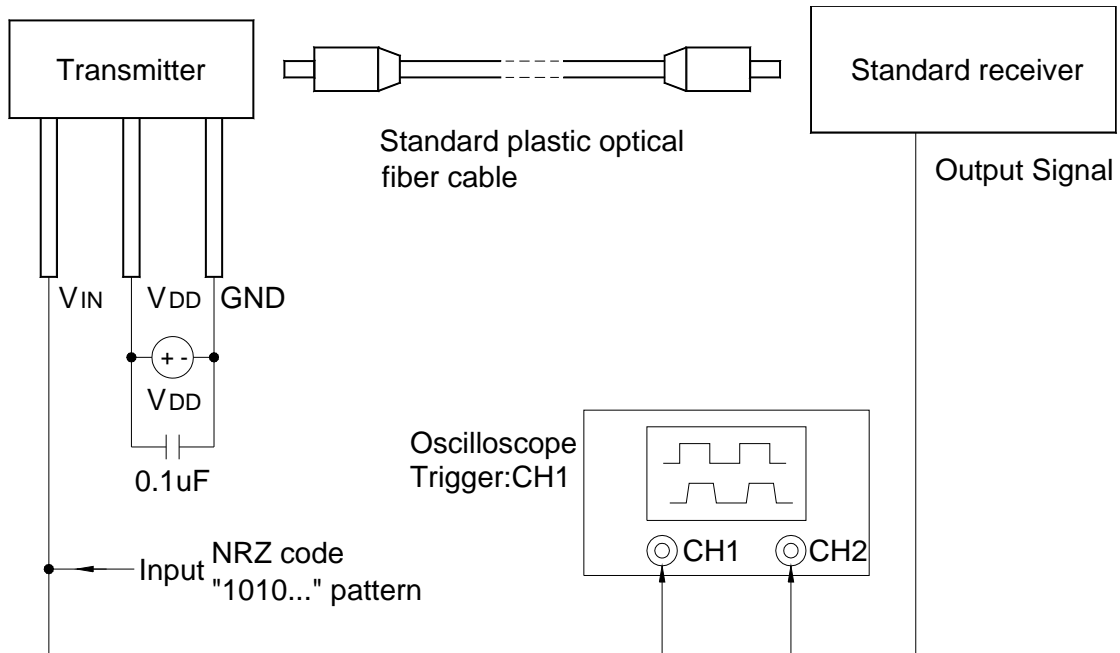
***1 Measuring method of optical output coupling power**



***2 Power dissipation measuring method**



***3 Measuring pulse response**



Pulse width distortion $\Delta tw = t_{PHL} - t_{PLH}$

Note

(1) The impedance of the probe for the oscilloscope must be more than 1MΩ and less than 10pf.



CAUTIONS

1. Storage

- For the devices which are stored out of their original packag for more than eight hours, it is better to bake them at about $100 \pm 5^{\circ}\text{C}$ for at least 4 hours before assembling.

2. ESD (Electrostatic Discharge)

Static Electricity or power surge will damage the devices.

Suggestions to prevent ESD damage:

- Use of a conductive wrist band or anti-electrostatic glove when handling these devices.
- All devices, equipment, and machinery must be properly grounded.
- Work tables, storage racks, etc. should be properly grounded.
- Use ion blower to neutralize the static charge which might have built up on surface of the device's plastic lens as a result of friction between LEDs during storage and handling.