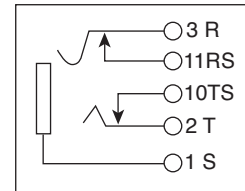
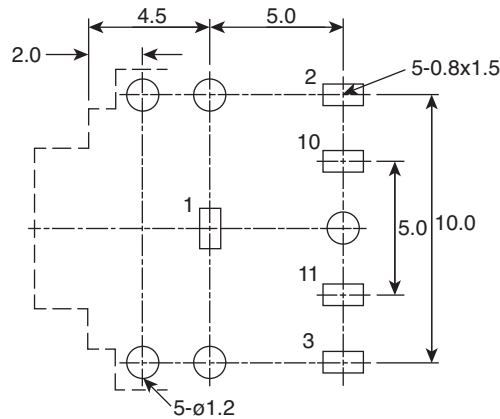
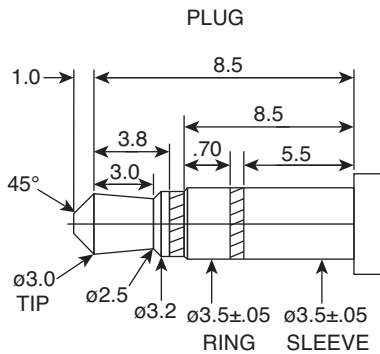
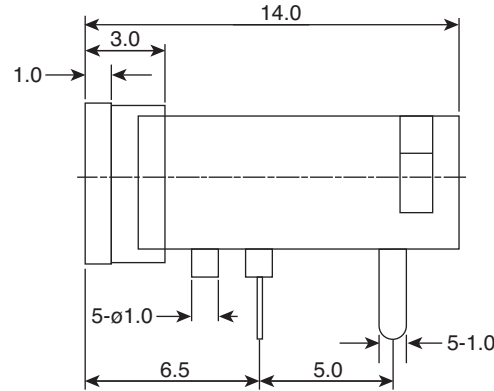
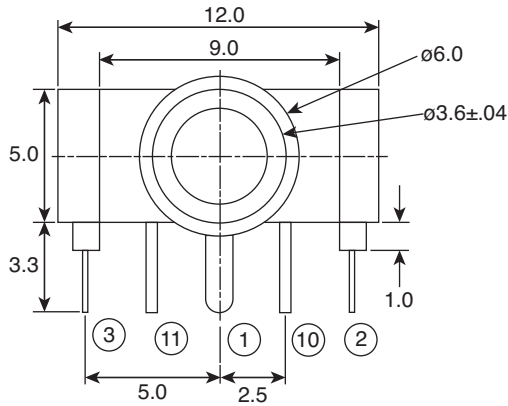


# Phone Jack

161-3645-E



Phone Jack



PCB LAYOUT ( $\pm 0.1$ )  
(BOTTOM VIEW)

Dimensions: mm

| Electrical Specifications |                     |
|---------------------------|---------------------|
| Voltage/Current:          | DC12V, 1A           |
| Insulation Resistance:    | 100M ohms @ 500VDC  |
| Operating Temperature:    | -20°C to 60°C       |
| Contact Resistance:       | 30M ohms max        |
| Dielectric Strength:      | 500VAC for 1 minute |
| Insertion Force:          | 0.3kg~3.0kg         |
| Extraction Force:         | 0.3kg~3.0kg         |
| Solder Temp:              | 260 $\pm$ 5°C       |
| Dip Time:                 | 5 $\pm$ 1 seconds   |

| Material Specifications |   |              |        |       |
|-------------------------|---|--------------|--------|-------|
| Sleeve                  | 1 | Copper Alloy | Tin    |       |
| Tip                     | 1 | Copper Alloy | Tin    |       |
| Ring                    | 1 | Copper Alloy | Tin    |       |
| Busing                  | 1 | Brass        | Nickel |       |
| Housing                 | 1 | PBT          |        | Black |
| Tip Shunt               | 1 | Brass        | Tin    |       |
| Ring Shunt              | 1 | Brass        | Tin    |       |
| RoHS Compliant          |   |              |        |       |

Date Last Revised: 5/15/09

Available from Mouser Electronics  
1-800-346-6873 / www.mouser.com

KC-301349

Specifications are subject to change without notice. No liability or warranty implied by this information. Environmental compliance based on producer documentation.

161-3645-E