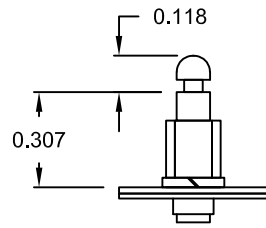


DESCRIPTION: QUICK RELEASE - CONNECTOR POST OPTIONS

MATERIAL CHARACTERISTICS

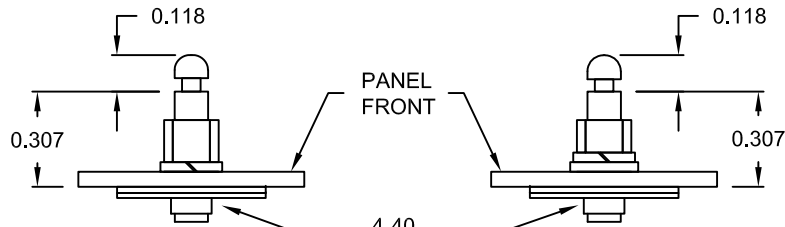
POST: STEEL, TIN PLATED
 FLAT WASHER: STAINLESS STEEL
 LOCK WASHER: STAINLESS STEEL

QUICK RELEASE POST KIT							
KIT PART NUMBER	QUANTITY IN KIT			QLOCK POST DIMENSIONS (IN)			
	①	②	③	A	K	L	M
QLOCKPOST440-1	2	0	2	0.276	0.118	0.591	0.197
QLOCKPOST440-2	2	2	2	0.217	0.118	0.591	0.256
QLOCKPOST440-3	2	0	2	0.217	0.118	0.591	0.256
QLOCKPOST440-5	2	0	2	0.189	0.118	0.591	0.283
QLOCKPOST440-6	2	0	2	0.189	0.276	0.748	0.283



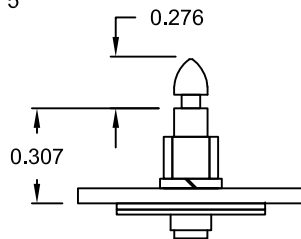
DSUB FRONT MOUNTED POST 1

CONNECTORS NOT SHOWN FOR CLARITY

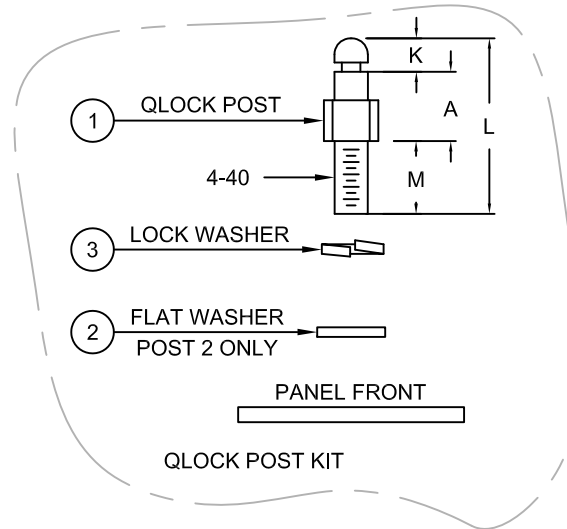


REAR MOUNTED POST 3, 5

REAR MOUNTED POST 2



REAR MOUNTED POST 6



NOTE:
 FOR USE ON
 CONNECTORS WITH
 PRE-INSTALLED REAR
 MOUNTED 4-40 CLINCH
 NUT INSERTS.

UNITS = INCH DO NOT SCALE FROM DRAWING



THESE DRAWINGS AND SPECIFICATIONS ARE THE PROPERTY OF NorComp AND SHALL NOT BE REPRODUCED, COPIED OR USED AS THE BASIS FOR THE MANUFACTURE OF SALE OF APPARATUS WITHOUT WRITTEN PERMISSION.

DRAWN: B. BRIDGES		DATE: 09-19-17	
SCALE: NTS	SHEET 1	OF 2	REV 9
DWG NO. QLOCKPOST440-Y			

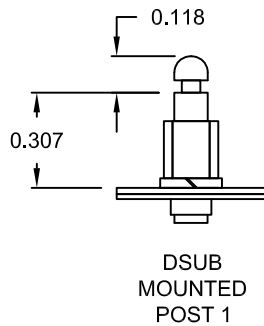
RoHS COMPLIANT

NorComp

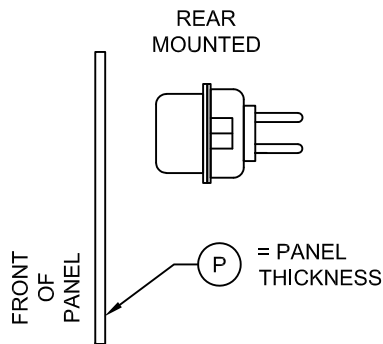
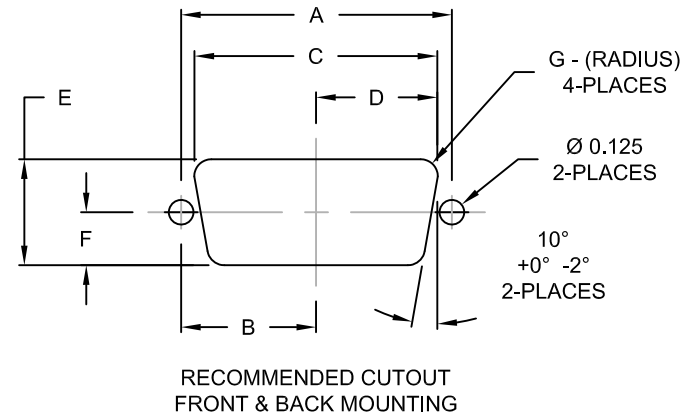
DESCRIPTION: QUICK RELEASE - CONNECTOR POST OPTIONS

KIT PART NUMBER	PANEL THICKNESS	MOUNT LOCATION
	(P)	
QLOCKPOST440-1	N/A	DSUB FRONT
QLOCKPOST440-2	0.039-0.051	REAR
QLOCKPOST440-3	0.059-0.071	REAR
QLOCKPOST440-5	0.086-0.098	REAR
QLOCKPOST440-6	0.086-0.098	REAR

POSITIONS	LOCATION	PANEL CUT OUT DIMENSIONS						
		A	B	C	D	E	F	G
9 STD / 15 H.D.	FRONT	0.984	0.492	0.874	0.437	0.513	0.257	0.083
	BACK	0.984	0.492	0.806	0.403	0.449	0.225	0.132
15 STD / 26 H.D.	FRONT	1.312	0.656	1.202	0.601	0.513	0.257	0.083
	BACK	1.312	0.656	1.134	0.567	0.449	0.225	0.132
25 STD / 44 H.D.	FRONT	1.852	0.926	1.743	0.872	0.513	0.257	0.083
	BACK	1.852	0.926	1.674	0.842	0.449	0.225	0.132
37 STD / 62 H.D.	FRONT	2.500	1.250	2.391	1.196	0.513	0.257	0.083
	BACK	2.500	1.250	2.326	1.163	0.449	0.225	0.132



UNITS = INCH



DO NOT SCALE FROM DRAWING



THESE DRAWINGS AND SPECIFICATIONS ARE THE PROPERTY OF NorComp AND SHALL NOT BE REPRODUCED, COPIED OR USED AS THE BASIS FOR THE MANUFACTURE OF SALE OF APPARATUS WITHOUT WRITTEN PERMISSION.

DRAWN: B. BRIDGES		DATE: 09-19-17	
SCALE: NTS	SHEET 2	OF 2	REV 9
DWG NO. QLOCKPOST440-Y			

RoHS COMPLIANT

NorComp