

THIS DRAWING IS UNPUBLISHED.

RELEASED FOR PUBLICATION

© COPYRIGHT - By -

ALL RIGHTS RESERVED.

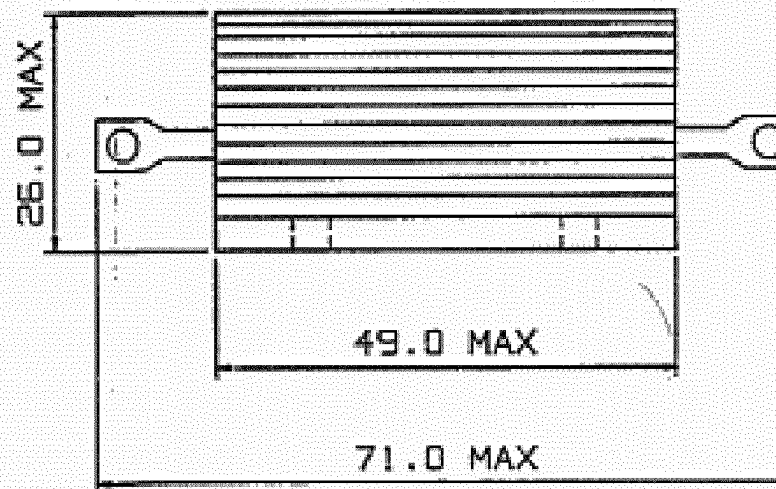
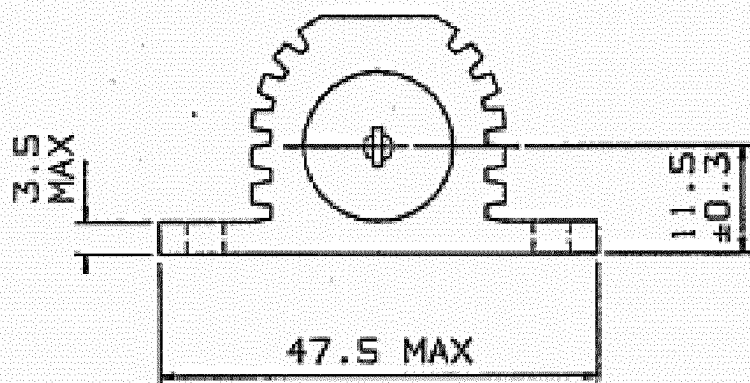
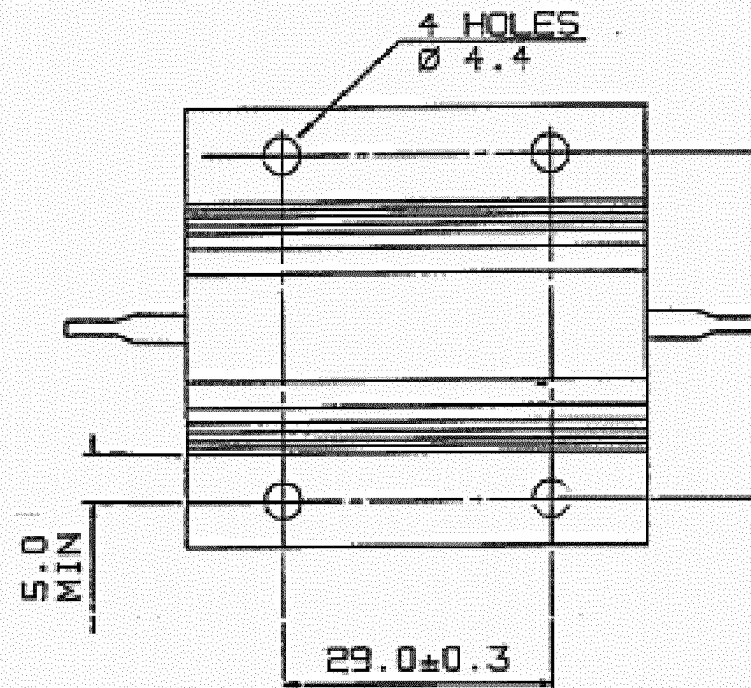
LOC E DIST B

REVISIONS

P	LTR	DESCRIPTION	DATE	DWN	APVD
	A1	REVISED PER ECO-11-005150	21MAR11	RK	HMR

TECHNICAL SPECIFICATION

DISSIPATION AT 25°C 75 WATTS MOUNTED
 OHMIC RANGE ON STD HEATSINK
 R10 TO 50K
 STABILITY ΔR <=2%
 per 1000hrs
 ISOLATION VOLTAGE 3500v DC/AC pk
 MAX WORKING VOLTAGE 1400V DC/AC rms
 TEMP COEFFICIENT >1R0 50ppm
 >100R 25ppm
 CLIMATIC CATEGORY 55/200/56



NOTE:
 1) FOR A SPECIFIC PN FOR A RESISTANCE VALUE AND TOLERANCE, PLEASE REFER TO DMF.

RoHS Compliant

THIS DRAWING IS A CONTROLLED DOCUMENT.		DWN 03JUN08 PRAKASH KANNIAH	STE TE Connectivity		
DIMENSIONS: mm		CHK 03JUN08 R BLANCH			
TOLERANCES UNLESS OTHERWISE SPECIFIED:		APVD 03JUN08 J CATCHPOLE	NAME THS75 METAL CLAD RESISTOR		
0 PLC ± -		PRODUCT SPEC	-		
1 PLC ± -		APPLICATION SPEC	-		
2 PLC ± -		WEIGHT	-		
3 PLC ± -		CUSTOMER DRAWING	-		
4 PLC ± -		SCALE	NTS		
ANGLES ± -		SIZE	A3		
FINISH		CAGE CODE	00779		
-		DRAWING NO	C-1879363		
-		RESTRICTED TO	-		
-		SHEET	1 OF 1		
-		REV	A1		