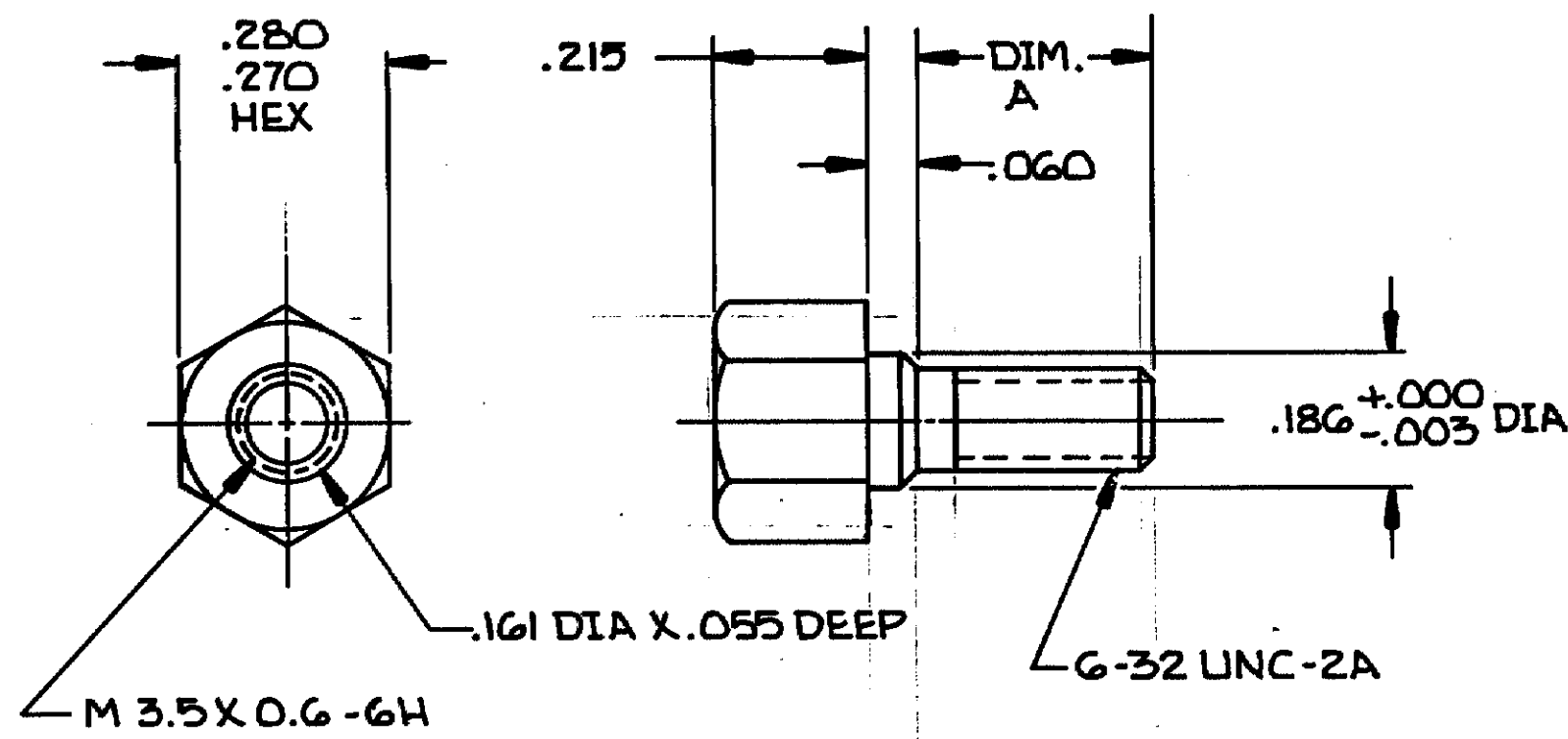


© COPYRIGHT

REVISIONS						
P	F	ZONE	LTR	DESCRIPTION	DATE	APPROVED
✓			A1	REVISED PER ECO-11-005294	12APR11	HMR



1. ALL DIMENSIONS SHOWN ARE MAXIMUM UNLESS OTHERWISE SPECIFIED.
2. MATERIAL: BLACK OXIDE COATED CARBON STEEL.
3. PARTS COATED WITH AMP APPROVED CORROSION PREVENTATIVE.
4. PACKAGED 10,000 PER BOX.
5. PACKAGED 500 STANDOFFS PER BAG.

5	.320	554043-3
4	.205	554043-2
	.320	554043-1
PACKAGED	DIM. A	PART NO

UNLESS OTHERWISE SPECIFIED DIMENSIONS ARE IN INCHES. TOLERANCES ON: DECIMALS ± — ANGLES ± —	CONTRACT NO				
	DR. <i>DB</i> 5-17-88				
	CHK. <i>g. Panty</i> 6/3/88		NAME STANDOFF, MOUNTING STUD, HEX HEAD, CHAMP®		
	APPD. <i>D. Trammell</i> 6/3/88				
MATERIAL	APPD. <i>(Signature)</i> 6-3-88	SIZE	FSCM NO	DRAWING NO	
FINISH	DSGN APPD	B	00779	554043	
	OTHER APPD	SCALE 4:1	SHEET 1 OF 1		