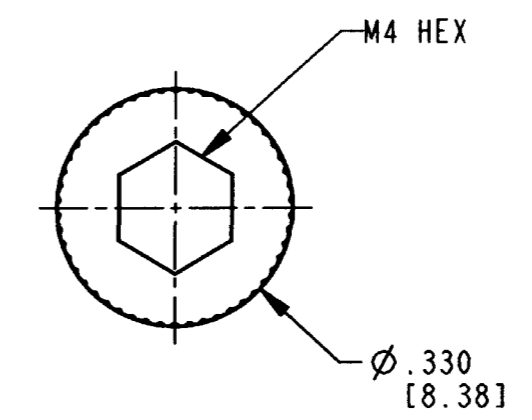
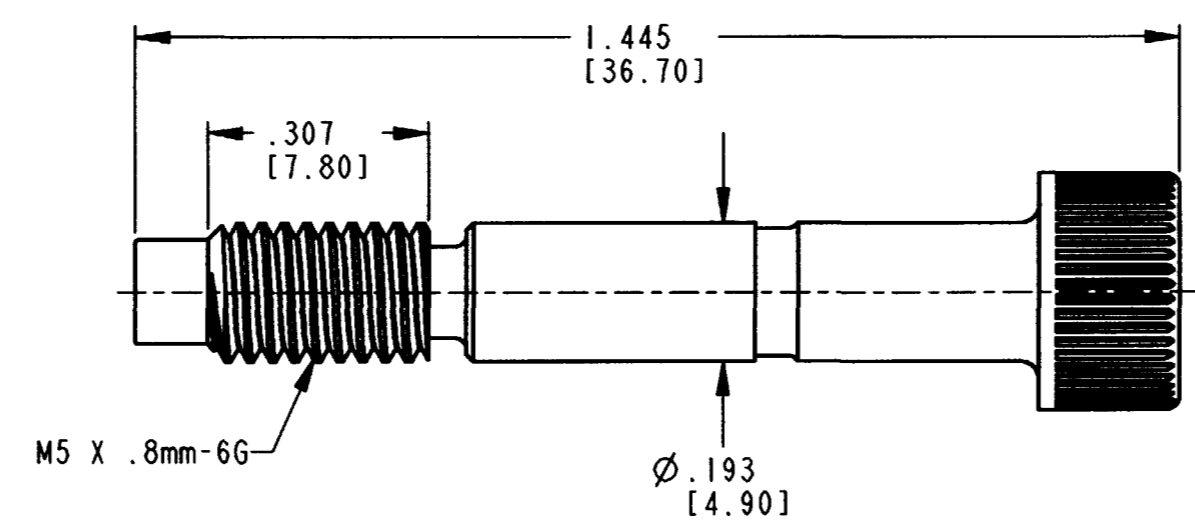


3D VIEW

REV
NC 0526-012-0090

REVISIONS			
SYM	DESCRIPTION	DATE	APPROVED
NC	NEW RELEASE PER E.O. P18724	11-12-04	RDR



4. MATERIAL: STAINLESS STEEL
3. THIS PART IS USED ON DRC26-24S*-****; DRC26-38S*-****; DRC26-40S*-****; DRC26-50S*-****; DRC26-60S*-**** PLUGS WHERE *=KEYS A,B,C,D; **=KEYS 01 THRU 10; ****=ALL MODIFICATIONS CONSULT FACTORY FOR MODS.
2. DIMENSION TOLERANCE: ±.025 [.64].
1. DIMENSIONS ARE IN INCHES [mm].

NOTES:

SIGNATURE & DATE	
DR	J. APOSTOL 25OCT2004
CHK	J. Lim 11/8/04
PE	D Meyer 10/25/04
APPD	P. Reed 11-12-04
SCALE	NONE
WT	

RETAINING BOLT
FOR PLUG
DRC SERIES

ENVELOPE

CP	MATL. CODE
The Deutsch Company DEUTSCH I.P.D. 3850 INDUSTRIAL AVE. HEMET, CALIF. 92545	
B	0526-012-0090
DWG SIZE	CODE 11139 SHEET OF