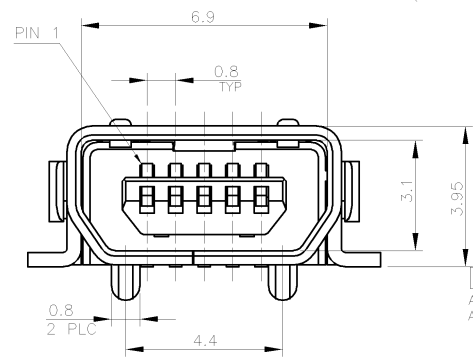
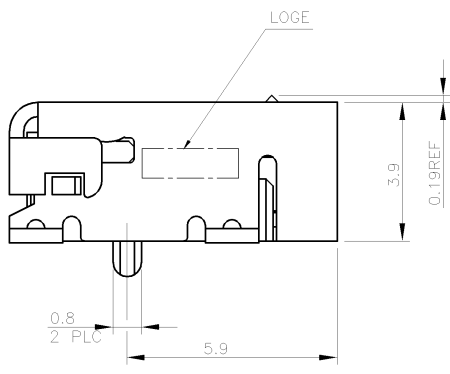
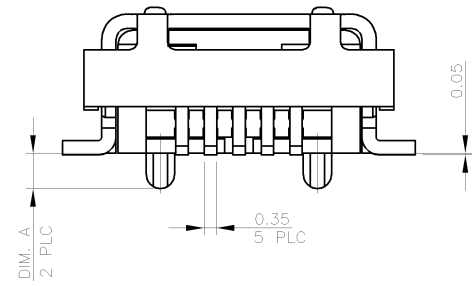
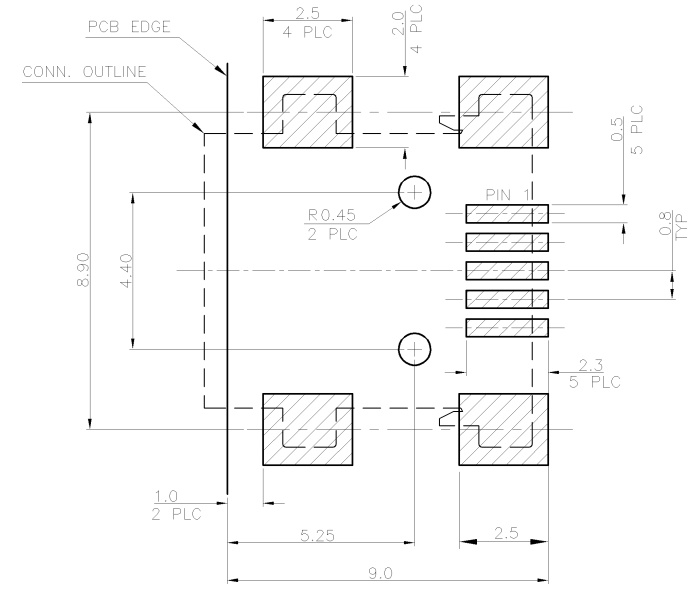
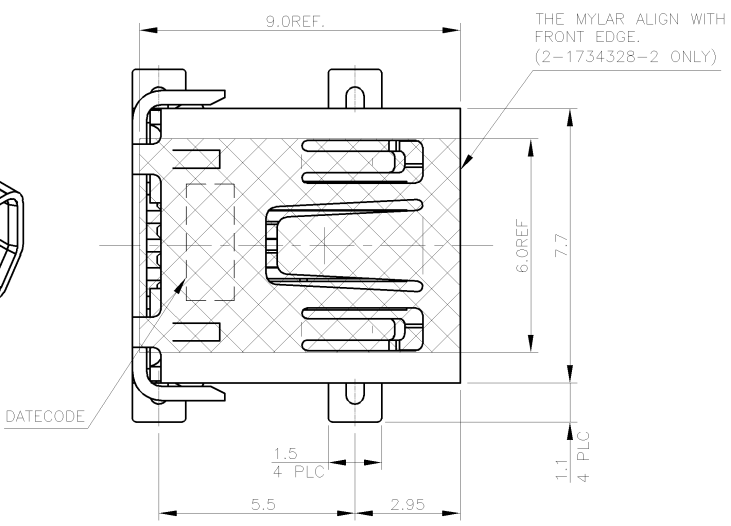
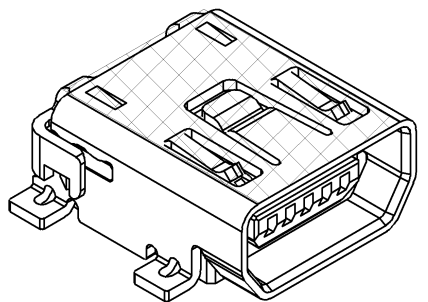


THIS DRAWING IS UNPUBLISHED. RELEASED FOR PUBLICATION AUG ,2006.
 © COPYRIGHT 2009 BY TYCO ELECTRONICS CORPORATION. ALL RIGHTS RESERVED.

LOC		DIST		REVISIONS				
DW	/	P	LTR	DESCRIPTION	DATE	DWN	APVD	
		D		REVISED. (ECR-12-016806)	13DEC12	JL	WK	



0.10 ALL SOLDER TAILS AND PEGS

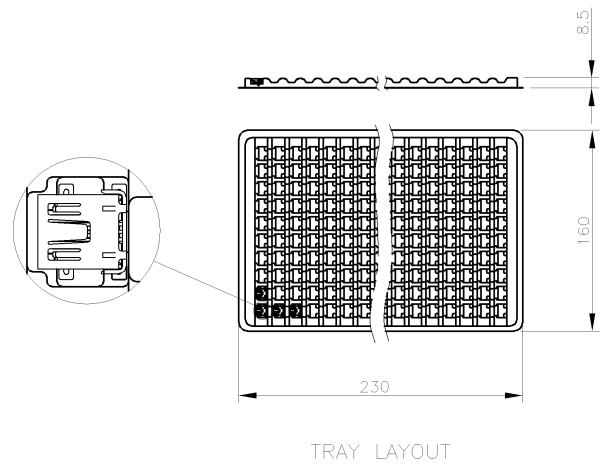
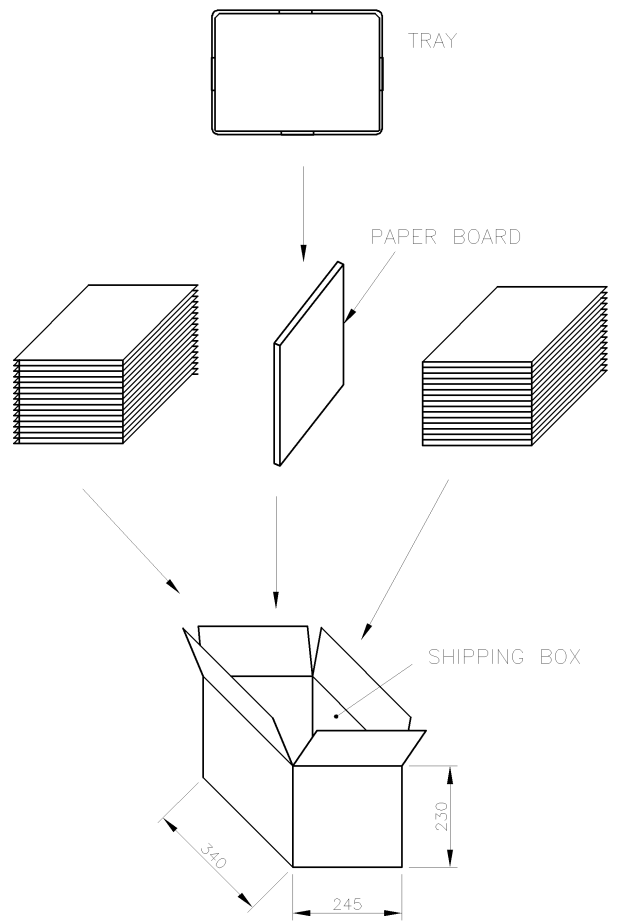
W/	1.0	REEL	2-1734328-2
W/O	0.6	REEL	1-1734328-2
W/O	0.6	TRAY	1-1734328-1
W/O	1.0	REEL	1734328-2
W/O	1.0	TRAY	1734328-1
MYLAR	DIM.A	PACKAGE	PART NUMBER

NOTE:
 1. MATERIAL:
 HOUSING: PA9T W/ 33% GF, UL 94V-0, COLOR:BLACK.
 CONTACT: PHOSPHOR BRONZE, THICKNESS:0.25±0.05mm.
 SHELL: PHOSPHOR BRONZE, THICKNESS:0.40±0.05mm.
 MYLAR: POLYESTER FILM.
 2. FINISH:
 CONTACTS: 0.762um [30u"] MIN GOLD PLATED ON CONTACT AREA,
 2.54um [100u"] MIN MATTE-TIN PLATED ON SOLDER TAILS,
 1.27um [50u"] MIN. NICKEL UNDERPLATED ALL OVER.
 SHELL : 2.032um [80u"] MIN. NICKEL PLATED ALL OVER.
 3. REFLOW SOLDER CAPABLE TO 260°C PER TE SPEC 109-201 CONDITION B.

THIS DRAWING IS A CONTROLLED DOCUMENT.		DWN	F. YANG	13JUL2009	 TE Connectivity MINI USB CONNECTOR, TYPE AB, RCPT, R/A, SMT TYPE
DIMENSIONS: MM		CHK	S. CHIEN	13JUL2009	
TOLERANCES UNLESS OTHERWISE SPECIFIED:		APVD	W. KODAMA	13JUL2009	
0 PLC ± - 1 PLC ± 0.3 2 PLC ± 0.2 3 PLC ± 0.15 4 PLC ± - ANGLES ± ± 3'		PRODUCT SPEC	108-57062		
MATERIAL	SEE NOTE	FINISH	SEE NOTE	WEIGHT	0.76 GRAMS
CUSTOMER DRAWING		SIZE	A3	CAGE CODE	00779
		DRAWING NO	C=1734328		RESTRICTED TO
		SCALE	SHEET 1 of 3		REV D

THIS DRAWING IS UNPUBLISHED. RELEASED FOR PUBLICATION AUG ,2006.
 © COPYRIGHT 2009 BY TYCO ELECTRONICS CORPORATION. ALL RIGHTS RESERVED.

LOC	DIST	REVISIONS					
DW		P	LTR	DESCRIPTION	DATE	DWN	APVD
				SEE SHEET 1.			

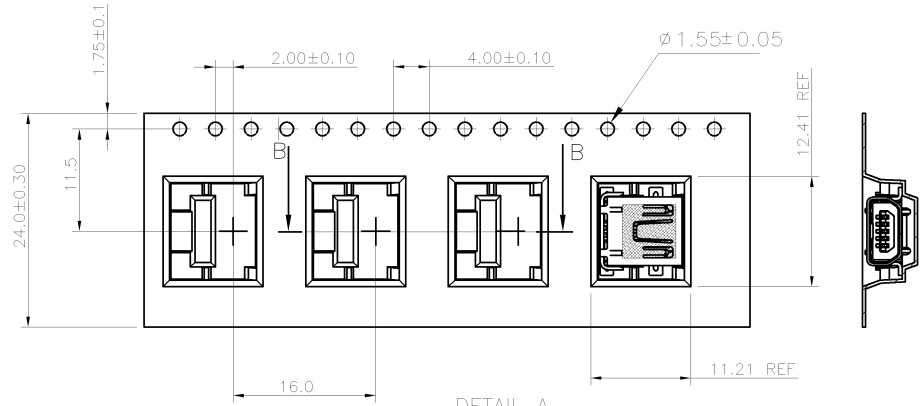


150	56	8400	9.2	6.7	1-1734328-1
PCS/TRAY	TRAYS/BOX	QUANTITY	G/W (Kg)	N/W (Kg)	PART NUMBER
					1734328-1

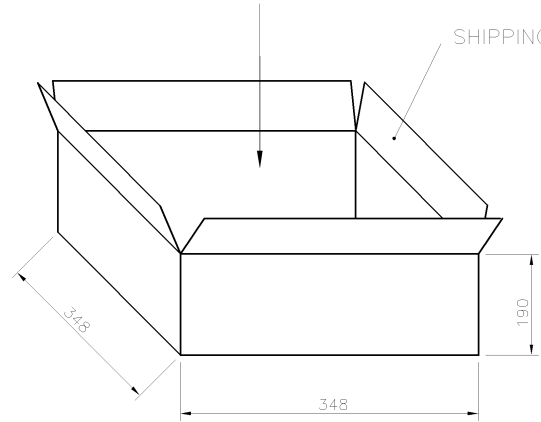
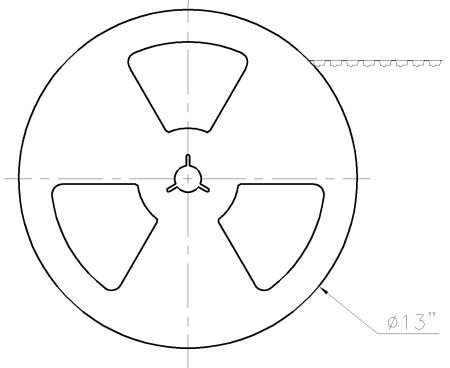
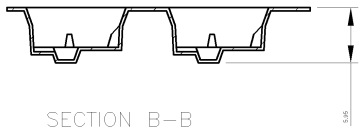
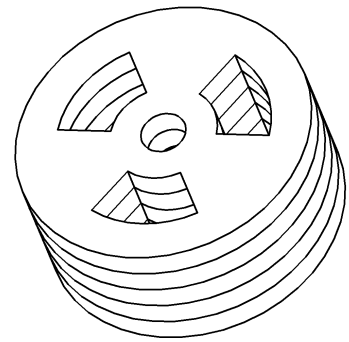
THIS DRAWING IS A CONTROLLED DOCUMENT.		DWN	STE TE Connectivity		
DIMENSIONS: MM		CHK			
TOLERANCES UNLESS OTHERWISE SPECIFIED:		APVD	NAME		
0 PLC ± -		PRODUCT SPEC	MINI USB CONNECTOR, TYPE AB, RCPT, R/A, SMT TYPE		
1 PLC ± -		APPLICATION SPEC	SIZE	CAGE CODE	DRAWING NO
2 PLC ± -		WEIGHT	A3	00779	C=1734328
3 PLC ± -		CUSTOMER DRAWING		RESTRICTED TO	
4 PLC ± -		SCALE	SHEET 2 of 3		REV D
ANGLES ± -					
MATERIAL	FINISH				

THIS DRAWING IS UNPUBLISHED. RELEASED FOR PUBLICATION AUG ,2006.
 © COPYRIGHT 2009 BY TYCO ELECTRONICS CORPORATION. ALL RIGHTS RESERVED.

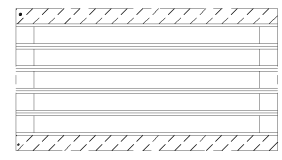
LOC	DIST	REVISIONS					
DW		P	LTR	DESCRIPTION	DATE	DWN	APVD
				SEE SHEET 1.			



DETAIL A



SHIPPING BOX



PACKING BOX

700	5	3500	6.5	5.5	2-1734328-2
					1-1734328-2
					1734328-2
PCS/REEL	REELS/BOX	QUANTITY	G/W (Kg)	N/W (Kg)	PART NUMBER

THIS DRAWING IS A CONTROLLED DOCUMENT.		DWN
DIMENSIONS: MM		CHK
TOLERANCES UNLESS OTHERWISE SPECIFIED:		APVD
0 PLC	±	PRODUCT SPEC
1 PLC	±	APPLICATION SPEC
2 PLC	±	WEIGHT
3 PLC	±	
4 PLC	±	
ANGLES	±	
MATERIAL	FINISH	

STE TE Connectivity

NAME

MINI USB CONNECTOR, TYPE AB, RCPT, R/A, SMT TYPE

SIZE	CAGE CODE	DRAWING NO	RESTRICTED TO
A3	00779	C=1734328	

CUSTOMER DRAWING

SCALE

SHEET 3 of 3

REV D