

D2E146 Series

Centrifugal Blower

Ø 146mm 4-speed



■ AC dual inlet, forward curved centrifugal blower operates at 4 air flow levels. Via brackets, the standard external-rotor motor is mounted on one side of the scroll housing.

■ Scroll housing with integrated terminal box made of polypropylene reinforced with French chalk, colored in black, and impeller made of polypropylene in natural color.

■ Direction of rotation is CCW as seen on plug. Insulation class "F".

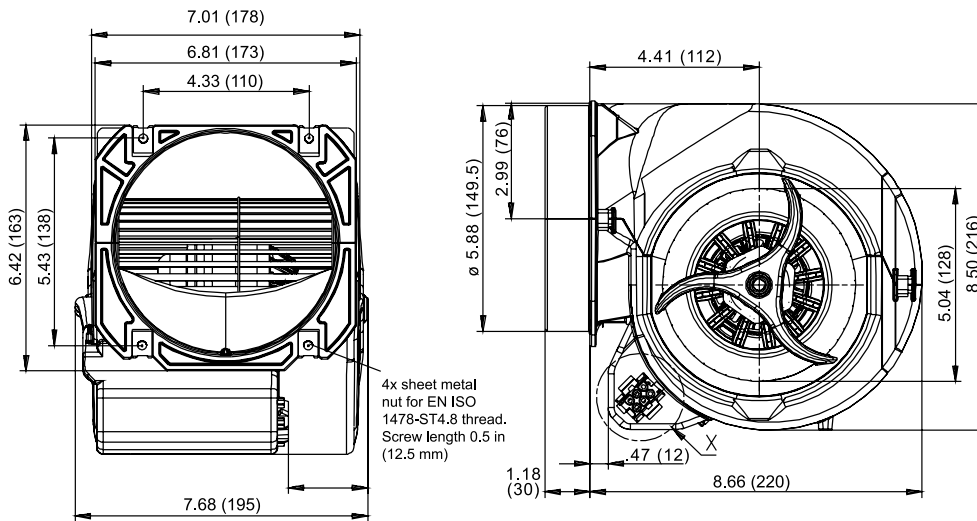
■ Cable harness must be ordered separately.

| Part Number | Inches | (mm) |
|--------------|--------|--------|
| 21956-4-1040 | 11.81 | (300) |
| 21957-4-1040 | 17.72 | (450) |
| 21958-4-1040 | 25.60 | (650) |
| 21959-4-1040 | 39.37 | (1000) |

■ VDE/CE approvals. UL on request.

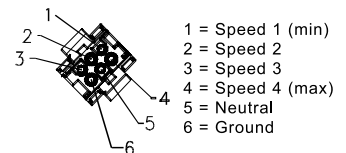
| Part Number | Curve | CFM @ 0 | VAC | Hertz | Power (W) | dBA | Max Amb. Temp C |
|----------------|-------|---------|-----|-------|-----------|-----|-----------------|
| D2E146-HT65-14 | 1 | 582 | 115 | 60 | 455 | 63 | 50 |
| D2E146-HR25-13 | 1 | 350 | 115 | 60 | 192 | 52 | 50 |
| D2E146-HS97-01 | 1 | 300 | 230 | 60* | 215 | 63 | 50 |
| D2E146-HR93-01 | 1 | 205 | 230 | 60* | 160 | 63 | 50 |

* 50 Hz data available.



Wiring Diagram View X

AMP Universal
MATE-N-LOCK
Housing # 926 682-3
Wire Pin # 926 866-1



D2E146 Series Performance Curves

Centrifugal Blower

Ø 146mm 4-speed

