



RPCE-01-E-00.25-D-C5E

RPBE-01-01-E

RPBE, RPCE SERIES

IP68 SEALED ETHERNET SOCKET

Mates with:

RCE

SPECIFICATIONS

For complete specifications see www.samtec.com?RPBE

- Insulator Material:** Black Liquid Crystal Polymer
- Contact:** Phosphor Bronze
- Operating Temp Range:** -40 °C to +75 °C
- Seal:** Rubber
- Screw:** Stainless Steel
- Nut:** Stainless Steel
- Sealing Washer:** Rubber

DUST CAPS

PORT	PART NO.	TYPE
-01	DCA-RPBE-01-01-P	Push-On/No Latch
-01	DCA-RPBE-01-01-L	Latching
-02	DCA-RPBE-02-01-L	

Note: Meets IP68 requirements for dust and waterproof sealing when mated or with dust cap.

RPBE

NO. OF PORTS

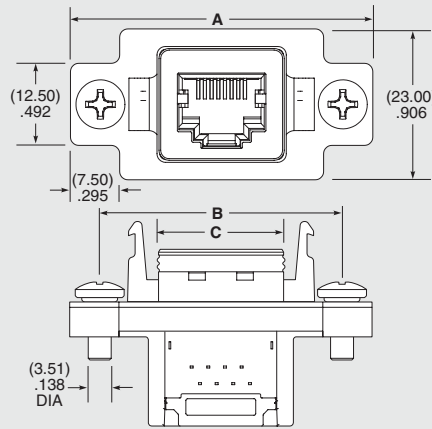
LEAD STYLE

PLATING

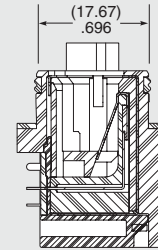
-01, -02

-01
= Right-angle

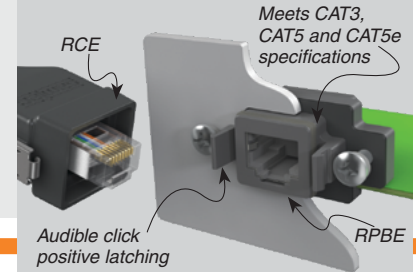
-E
= 50 μ" (1.27 μm) Gold on contact, Flash Gold on tail



NO. OF PORTS	A	B	C
-01	(46.10) 1.815	(36.95) 1.455	(19.72) .776
-02	(67.10) 2.642	(57.95) 2.281	(40.72) 1.603



APPLICATION



Mates with:

RCE

SPECIFICATIONS

For complete specifications see www.samtec.com?RPCE

- Insulator Material:** Glass Filled Thermoplastic
- Contact:** Phosphor Bronze
- Shield:** Phosphor Bronze
- Operating Temp Range:** -40 °C to +75 °C
- Overmold:** Rite Flex 640F
- Seal:** Rubber
- Screw:** Stainless Steel
- Nut:** Stainless Steel
- Sealing Washer:** Rubber
- Wire:** 24 AWG

DUST CAPS

PORT	PART NO.	TYPE
-01	DCA-RPBE-01-01-P	Push-On/No Latch
-01	DCA-RPBE-01-01-L	Latching
-02	DCA-RPBE-02-01-L	

Note: Meets IP68 requirements for dust and waterproof sealing when mated or with dust cap.

RPCE

01

PLATING

WIRE LENGTH

END OPTION

C5E

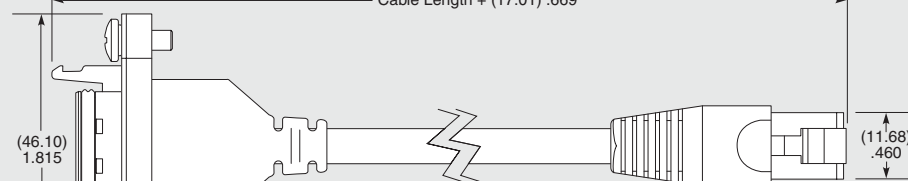
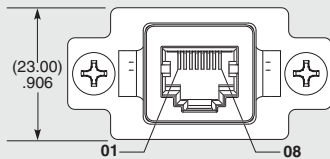
-E
= 50 μ" (1.27 μm) Gold on contact, Nickel on shell

-00.25
= (0.25 m) 9.84"

-00.50
= (0.50 m) 19.69"
Standard lengths

-D
= Double Ended

-BC
= Blunt Cut



ALSO AVAILABLE (MOQ Required)

- Other wire lengths

Due to technical progress, all designs, specifications and components are subject to change without notice.