



Features

● Miniaturization and Low profile

0.50 terminal with 2.0mm(W)X2.5mm(H) pitch is realized miniaturization and low profile.

Developed in pursuit of miniaturization and low profile as surface mounting type connector for automotive.
0.50 terminal with 2.0mm pitch realized miniaturization.



Specifications

- Current rating: 2A AC, DC (0.3mm²)
- Voltage rating: 14V AC, DC
- Temperature range: -40°C to +125°C (gold-plated)
-40°C to +105°C (tin-plated)
(including temperature rise in applying electrical current)
- Contact resistance: Initial value/10mΩ max.
After environmental testing/30mΩ max.
- Insulation resistance: 100MΩ min.
- Withstanding voltage: 1,000V AC/minute
- Applicable wire: AESSX 0.3mm², UL3265 0.3mm²
(Equivalent to AWG #22, Insulation O.D. φ1.5mm max.)

- * Compliant with ELV/RoHS.
- * Contact JST for details.

Female terminal



Model No.	Applicable wire range		Q'ty/reel
	Conductor (mm ²)	Insulation O.D. (mm)	
① SMEC-A021GF-M0.5	0.3	1.5 max.	10,000
② SMEC-A021T-M0.5			

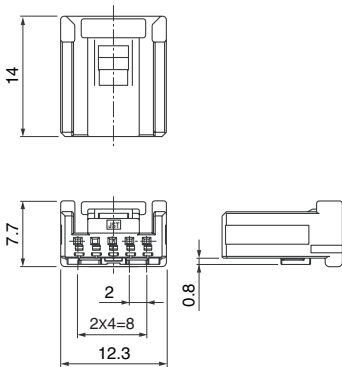
Material and Finish

- ① Copper alloy, nickel-undercoated, Contact area; gold-plated
Barrel area; tin-plated
- ② Copper alloy, nickel-undercoated, tin-plated

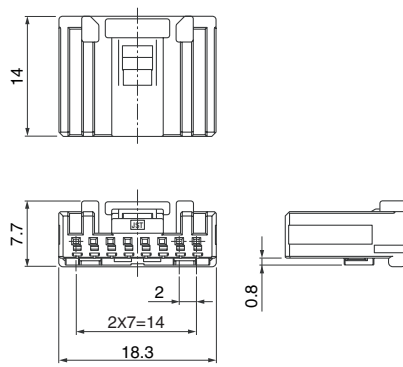
Female connector

Single row

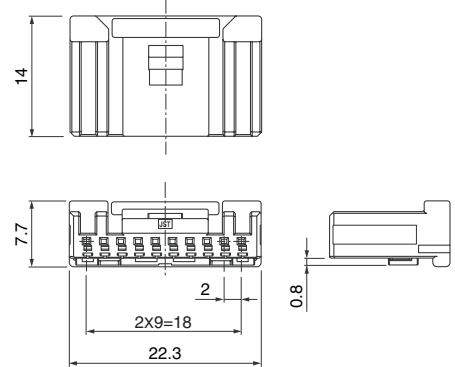
● 5 circuits



● 8 circuits

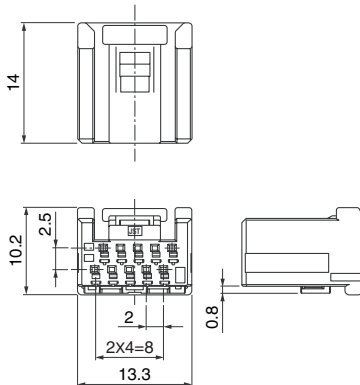


● 10 circuits

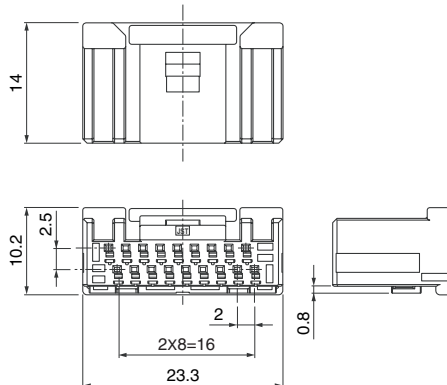


Double row

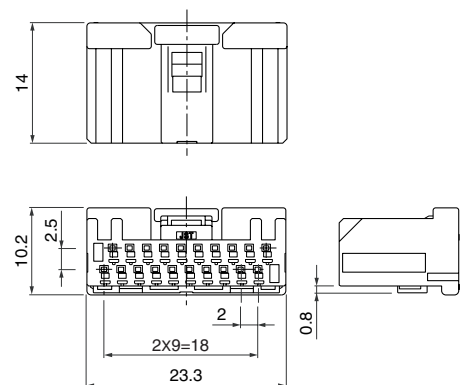
● 10 circuits



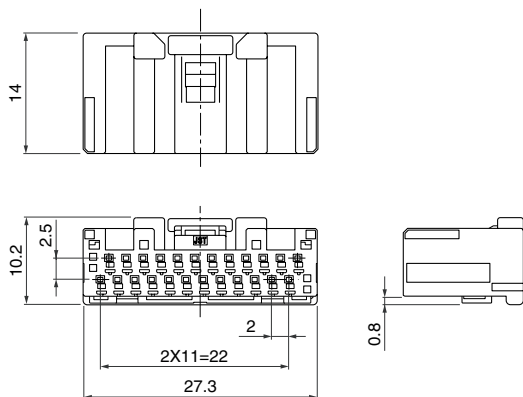
● 18 circuits



● 20 circuits



● 24 circuits



Type	Circuits	Model No.	Q'ty/box
Single row	5	① 05MEC-B-1A	400
	8	① 08MEC-B-1A	300
	10	① 10MEC-B-1A	200
Double row	10	① 10MEC-B-2A	250
	18	① 18MEC-B-2A	150
	20	Note) ② 20MEC-B-2A()	150
	24	① 24MEC-B-2A	90

Material

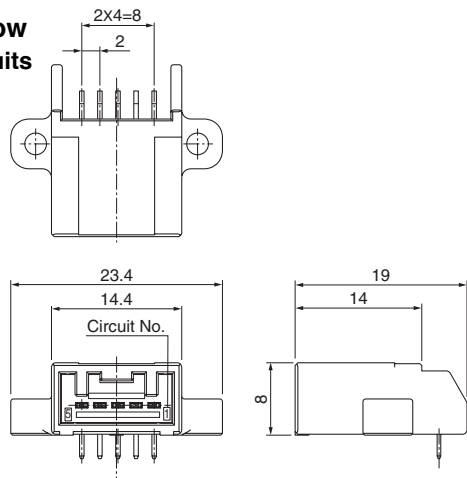
Housing: Glass-filled PBT, black
 Retainer: ① Glass-filled PBT, blue
 ② Glass-filled PBT, natural (white)

Note: Color/Key codes other than above-mentioned housing are also available.
 Contact JST for details.

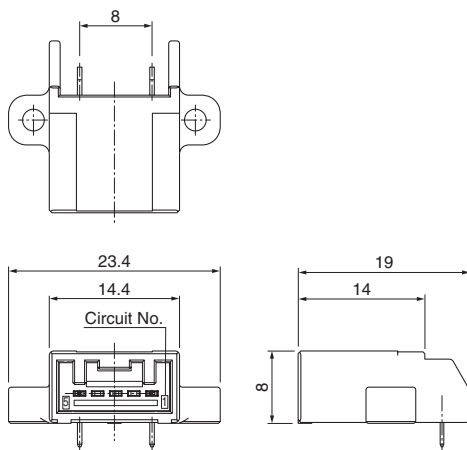
Male connector

DIP type

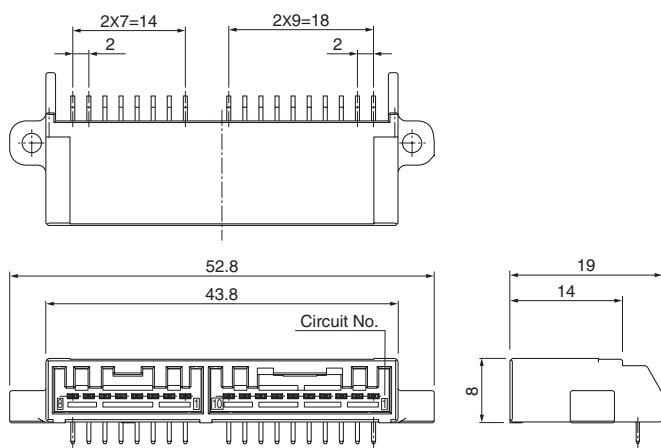
Single row • 5 circuits



• 5 circuits (plugged up)



• 18 (10+8) circuits



Double row • 10 circuits



• 10 circuits (plugged up)



• 18 circuits



Type	Circuits	Model No.	Q'ty/box
Single row	5	S05B-MECK-1GA-A	700
	Note) 5	S05B-MECK-1GA-B	700
	18 (10+8)	S18B-MECK-1GA-A	350

Material and Finish

Male housing: Glass-filled PBT, black
 Male terminal: Copper alloy, nickel-undercoated,
 Contact area; gold-plated
 Barrel area; tin-plated (reflow treatment)

Type	Circuits	Model No.	Q'ty/box
Double row	10	S10B-MECK-2GA-A	504
	Note) 10	S10B-MECK-2GA-B	504
	18	S18B-MECK-2GA-A	392

Material and Finish

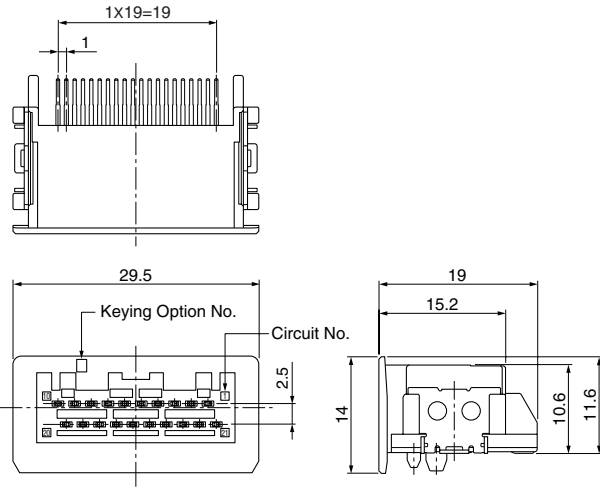
Male housing: Glass-filled PBT, black
 Male terminal: Copper alloy, nickel-undercoated,
 Contact area; gold-plated
 Barrel area; tin-plated (reflow treatment)

Male connector

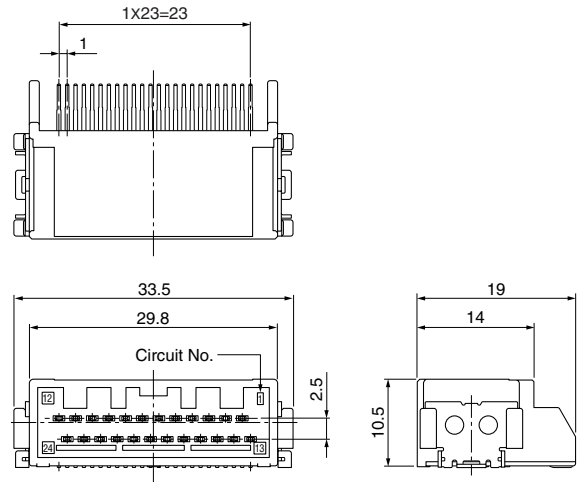
SMT type

Double row

● 20 circuits



● 24 circuits



Type	Circuits	Model No.	Q'ty/box
Double row	20	Note) SM20B-MECK-2TC(-)A-TB	200
	24	SM24B-MECK-2TA-A-TB	200

Material and Finish

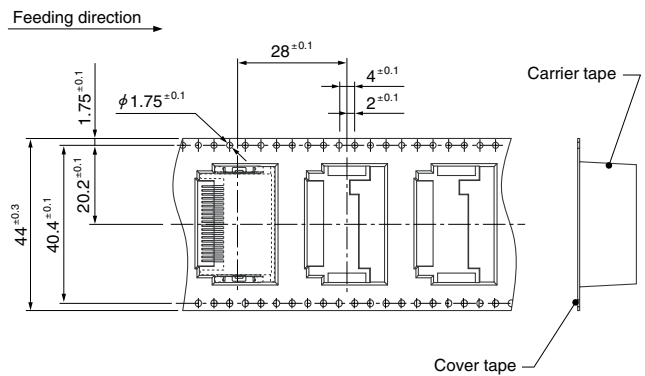
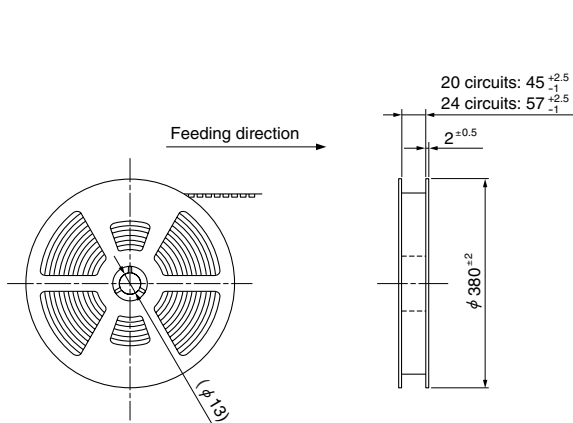
Housing: Glass-filled LCP, black

Terminal: Copper alloy, nickel-undercoated, tin-plated

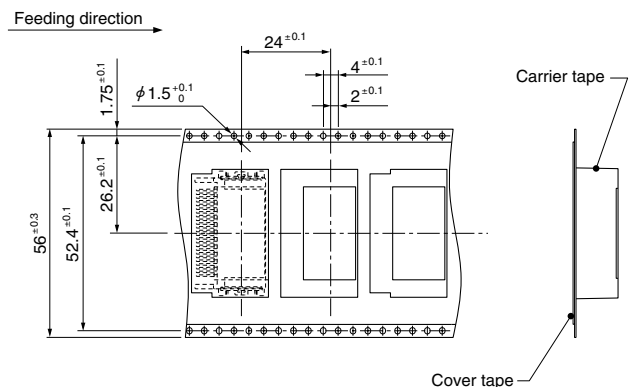
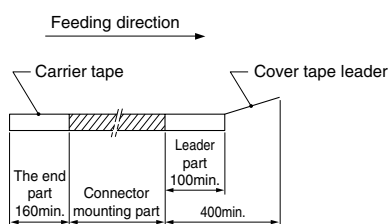
Note: Key codes other than above-mentioned housing are also available.
Contact JST for details.

Taping specifications

20 circuits



24 circuits

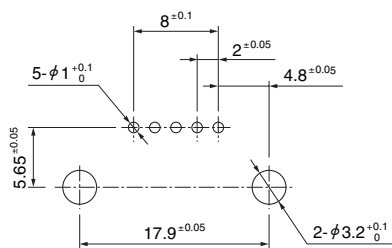


PC board layout, Assembly layout

DIP type

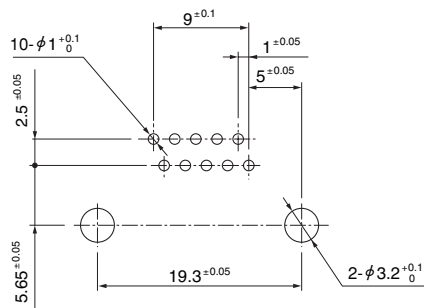
Single row

- 5 circuits

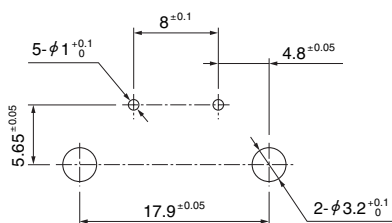


Double row

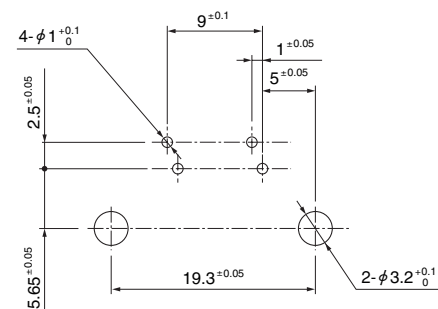
- 10 circuits



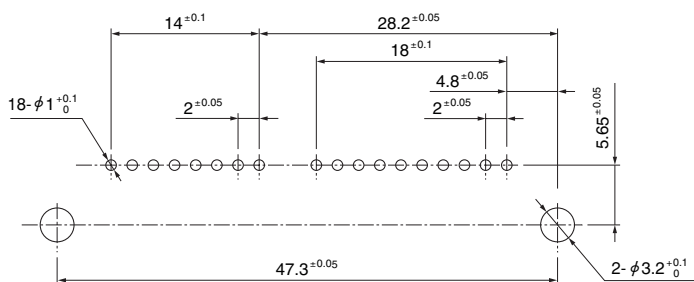
- 5 circuits (plugged up)



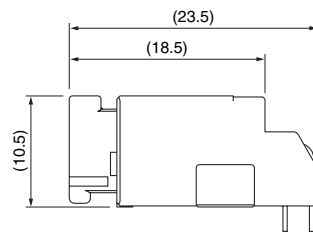
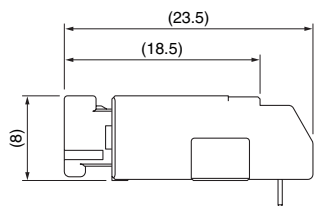
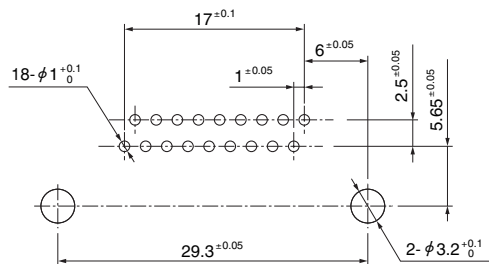
- 10 circuits (plugged up)



- 18 (10+8) circuits



- 18 circuits



Note: 1. Tolerances are non-cumulative: $\pm 0.05\text{mm}$ for all centers.
 2. Hole dimensions differ according to the type of PC board and piercing method.
 The dimensions above should serve as guideline. Contact JST for details.

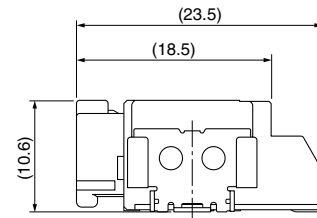
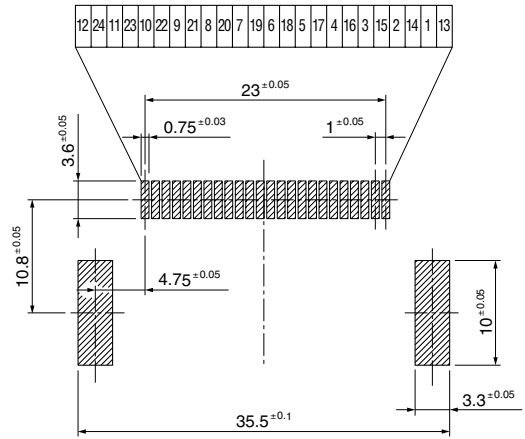
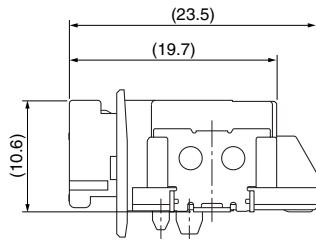
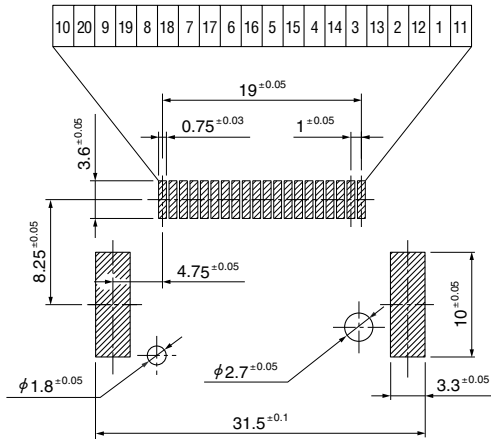
PC board layout, Assembly layout

SMT type

Double row

● 20 circuits

● 24 circuits



Crimping machine, Applicator

Strip terminal	Crimping machine	Crimp applicator MKS-L	
		Dies	Crimp applicator with dies
SMEC-A021GF-M0.5	AP-K2N	MK/SMEC-A021-05	APLMK SMEC-A021-05
SMEC-A021T-M0.5			

Note: When crimping operation is conducted using an applicator and die set other than the above, JST cannot guarantee the performance of the terminal.

Mouser Electronics

Authorized Distributor

Click to View Pricing, Inventory, Delivery & Lifecycle Information:

JST:

[S05B-MECK-1GA-B](#) [S10B-MECK-2GA-A](#) [S18B-MECK-2GA-A](#) [10MEC-B-1A](#) [10MEC-B-2A](#) [S05B-MECK-1GA-A](#)
[SMEC-A021GF-M0.5](#) [05MEC-B-1A](#) [08MEC-B-1A](#) [S10B-MECK-2GA-B](#)