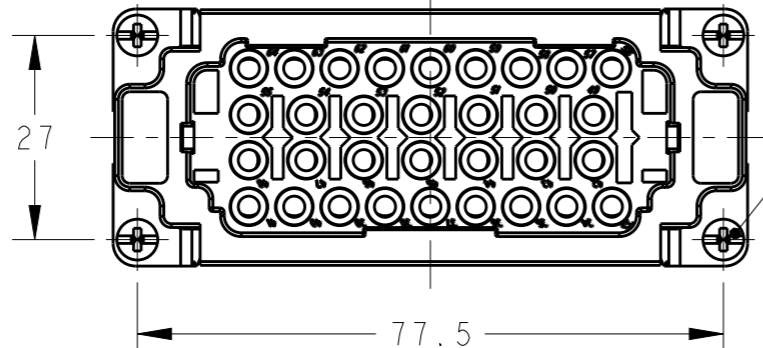
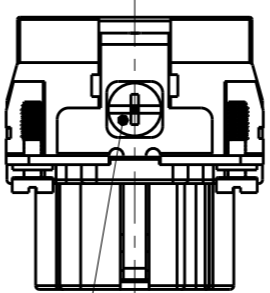
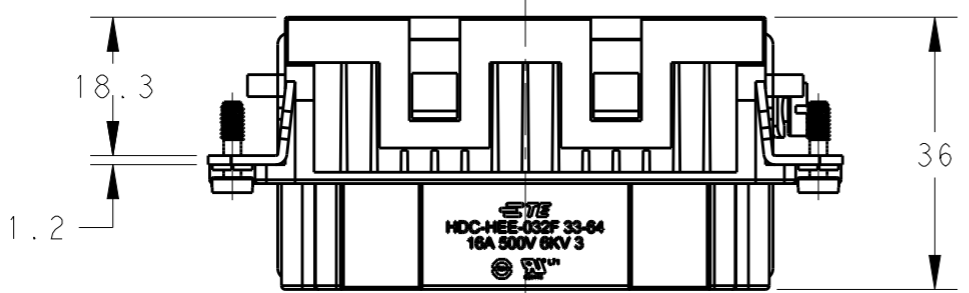
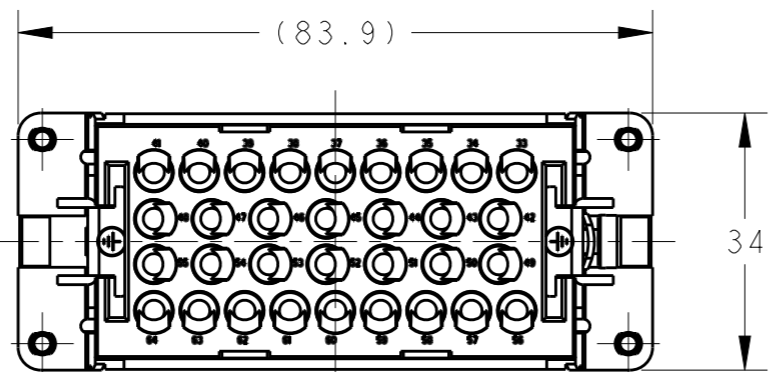
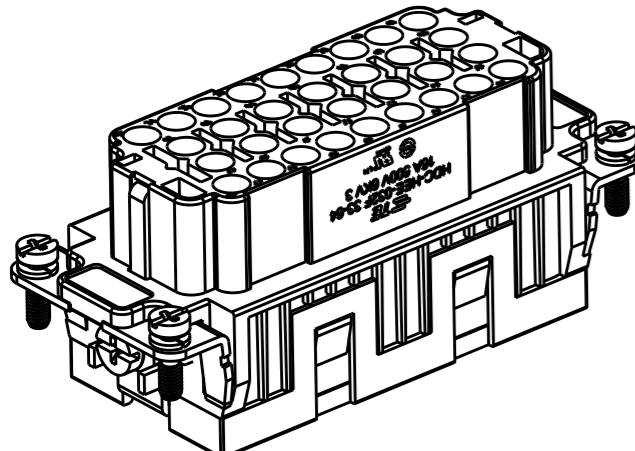


THIS DRAWING IS UNPUBLISHED. RELEASED FOR PUBLICATION 20
 © COPYRIGHT 20 BY - ALL RIGHTS RESERVED.

REVISIONS					
P	LTR	DESCRIPTION	DATE	DWN	APVD
A		INITIAL	03APR2015	DW	CW
B		ECR-15-014907	14OCT2015	DL	CW



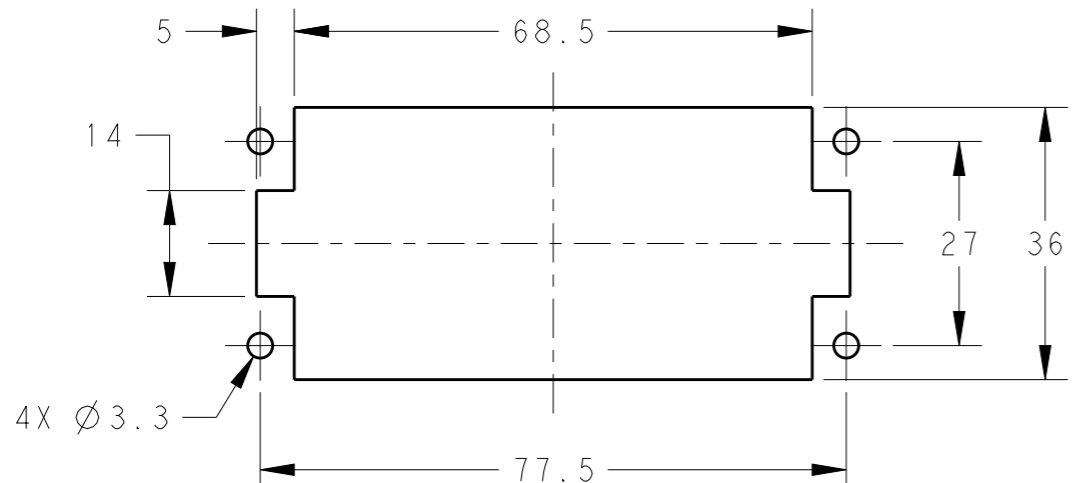
M4 THREAD
 RECOMMENDED
 TIGHTENING TORQUE
 1.2Nm

4X M3 THREAD, RECOMMENDED
 TIGHTENING TORQUE 0.5Nm


NOTES:
 1. TECHNICAL CHARACTERISTICS:
 INSULATION MATERIAL: PC
 RATED VOLTAGE: 500V
 RATED CURRENT: 16A
 INSULATION RESISTANCE: $\geq 400M\Omega$
 RATED IMPULSE VOLTAGE: 6KV
 POLLUTION DEGREE: 3
 FLAMMABILITY: UL94V-0
 MATING CYCLES: 500 CYCLES
 OPERATION TEMPERATURE: -40-+125°C
 WIRE RANGE: 0.14-4 mm² (26-12 AWG)
 CONTACT TYPE: CRIMP CONTACT
 2. CONTACT NEED TO BE ORDERED SEPARATELY.
 (ORDER No. REFER TO DRAWING:T20300X20XX000)

注释:
 1. 技术参数:
 绝缘材料: PC
 额定电压: 500V
 额定电流: 16A
 绝缘电阻: $\geq 400M\Omega$
 额定脉冲电压: 6KV
 污染等级: 3
 阻燃等级: UL94V-0
 插拔次数: 500次
 工作温度: -40-+125°C
 接线范围: 0.14-4 mm² (26-12 AWG)
 接线类型: 冷压接
 2. 端子需要单独订购.
 (订货号参考图面: T20300X20XX000)

PANEL CUT FOR INSERTS FOR USE
 WITHOUT HOODS/ HOUSINGS



HEE-032-F 33-64	T2050642201-000
DESCRIPTION	PART NUMBER

THIS DRAWING IS A CONTROLLED DOCUMENT.		DWN 01APR2015 David Wang	 TE Connectivity NAME HEE-032-F 33-64			
DIMENSIONS: mm		CHK 01APR2015 Chris Wang				
TOLERANCES UNLESS OTHERWISE SPECIFIED:		APVD 01APR2015 Xiang Xu				
0 PLC ±- 1 PLC ±- 2 PLC ±- 3 PLC ±- 4 PLC ±- ANGLES ±-		PRODUCT SPEC 108-106137				
MATERIAL	FINISH	APPLICATION SPEC 114-106137	SIZE A3	CAGE CODE 00779	DRAWING NO T2050642201000	RESTRICTED TO
-	-	WEIGHT -	SCALE 1:1		SHEET 1 OF 1	REV B
Customer Drawing						