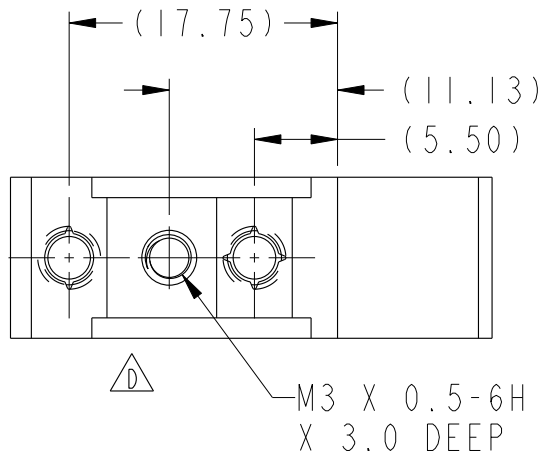
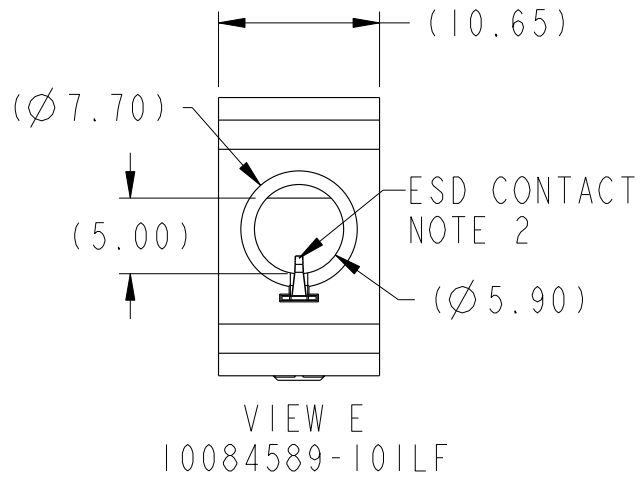
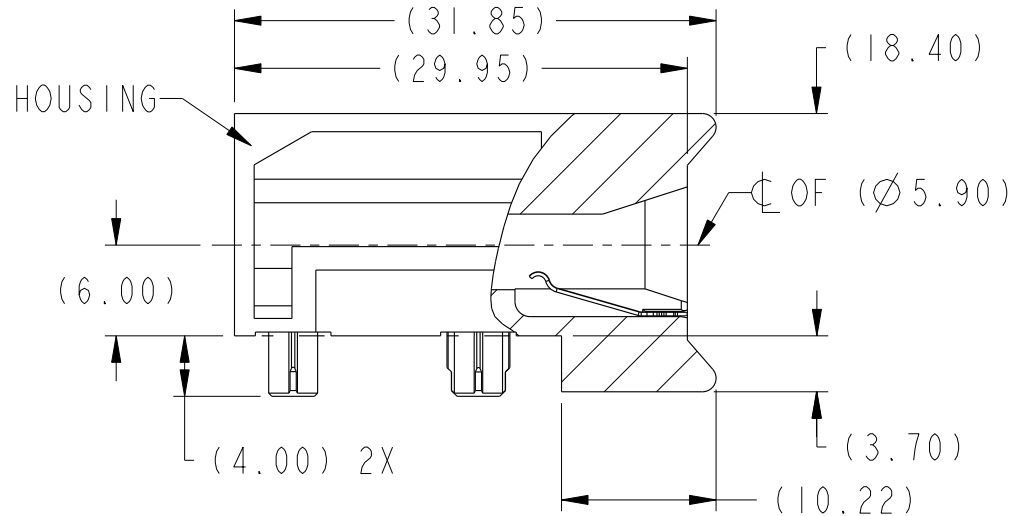




PRODUCT NUMBER	REMARKS
10084589-101LF	WITH ESD CONTACT (VIEW E)
10084589-111LF	WITHOUT ESD CONTACT (VIEW F)



Copyright FCI


rev	ecn no	dr	date
A	S08-0174	CH	2008-06-02
B	S08-0187	CH	2008-06-13
C	S08-0192	CH	2008-06-20
D	S10-0118	YK	2010-06-02
-	-	-	-
-	-	-	-
-	-	-	-

www.fciconnect.com		surface 3.2 ASME Y14.5	tolerance std ASME Y14.5	projection MM
Dr C. H. TAN 2008-06-20		TOLERANCES UNLESS OTHERWISE SPECIFIED		size A4 Scale 1:1
Eng Y. K. LIM 2010-06-02	Chr C. H. TAN 2010-06-02	ANGULAR 0° ±2°	LINEAR 0.X ±.3 0.XX ±.10 0.XXX ±.050	ECN S10-0118
Appr JOEY NG 2010-06-02	Product family AirMax Accessories		Spec ref	
 title 10.8mm GUIDE MODULE ASSY WITH KEYING OPTIONS		dwg no 10084589	Rev. D	
catalog no		CUSTOMER	sheet 1 of 3	

REV E - 2008-03-28

1

2

3

4

A

B

C

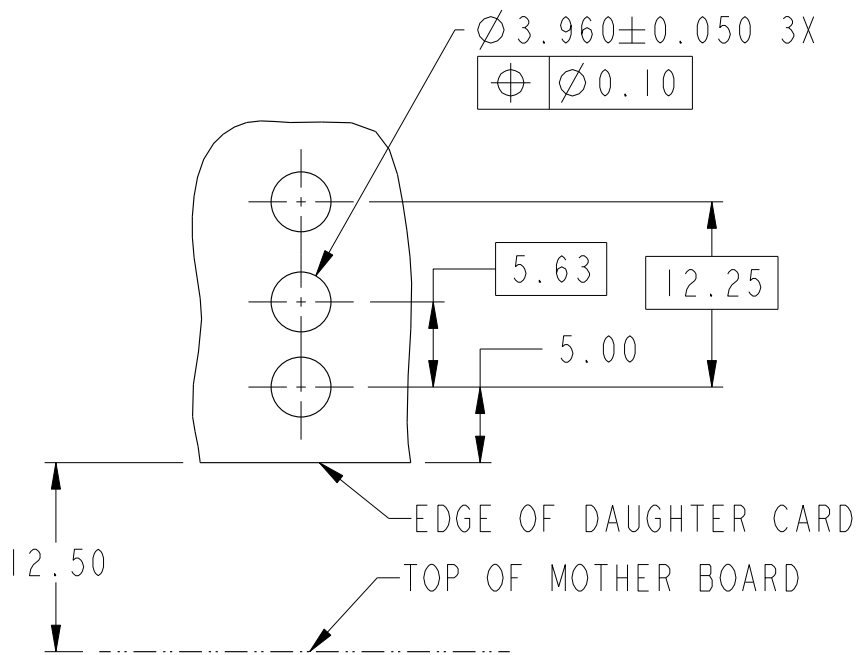
D

A

B

C

D



SCALE 2:1

RECOMMENDED PCB LAYOUT NOTES 4 & 5



Copyright FCI.

	title	10.8mm GUIDE MODULE ASSY WITH KEYING OPTIONS	dwg no	10084589	Rev.	D
	catalog no	-	CUSTOMER	sheet 2 of 3		

1

2

3

4

A

B

C

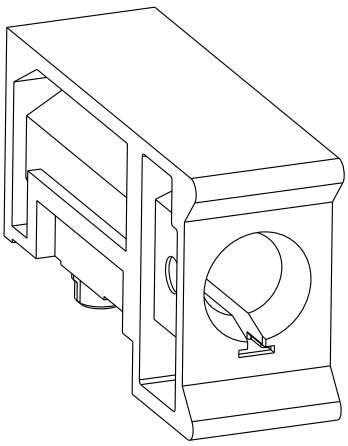
D


A

B

C

D



- ①. MATERIAL: ZINC ALLOY
- ②. FINISH: HOUSING; TRIVALENT CHROMATE IRIDESCENT
ESD CONTACT; 1.27um MINIMUM NICKEL ALL OVER
- 3. APPLICATION SPEC: GS-20-045
- ④. THRU HOLE PLATING AND ANNULAR RINGS MUST BE ADDED AS APPROPRIATE FOR APPLICATIONS WITH THE ESD GROUNDING OPTION. FINISHED HOLE SIZE IS THE SAME REGARDLESS OF PLATED BARREL OR NOT
- ⑤. REFER TO CUSTOMER DRAWING 10035911 FOR INFORMATION REGARDING PCB LAYOUT OF POWER AND GUIDE MODULES RELATIVE TO SIGNAL MODULES
- 6. THIS PRODUCT MEETS EUROPEAN UNION DIRECTIVES AND OTHER COUNTRY REGULATIONS AS DESCRIBED IN GS-22-008.
- 7. PACKAGING MEETS GS-14-920 LEAD FREE LABELING SPECIFICATION.
- 8. A  SYMBOL WOULD BE NEXT TO DIMENSIONS, VIEW OR NOTE WHICH HAS BEEN MODIFIED WITH THE CURRENT DRAWING REVISION



Copyright FCI.

	title 10.8mm GUIDE MODULE ASSY WITH KEYING OPTIONS	dwg no 10084589	Rev. D
	catalog no -	CUSTOMER	sheet 3 of 3