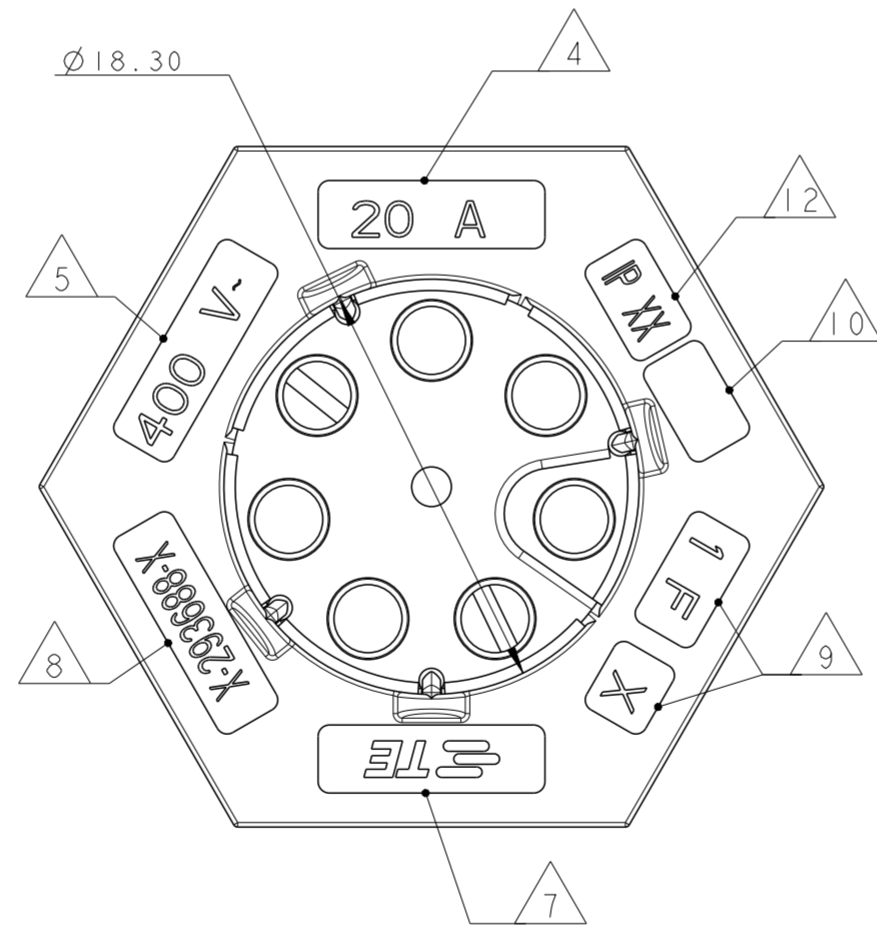
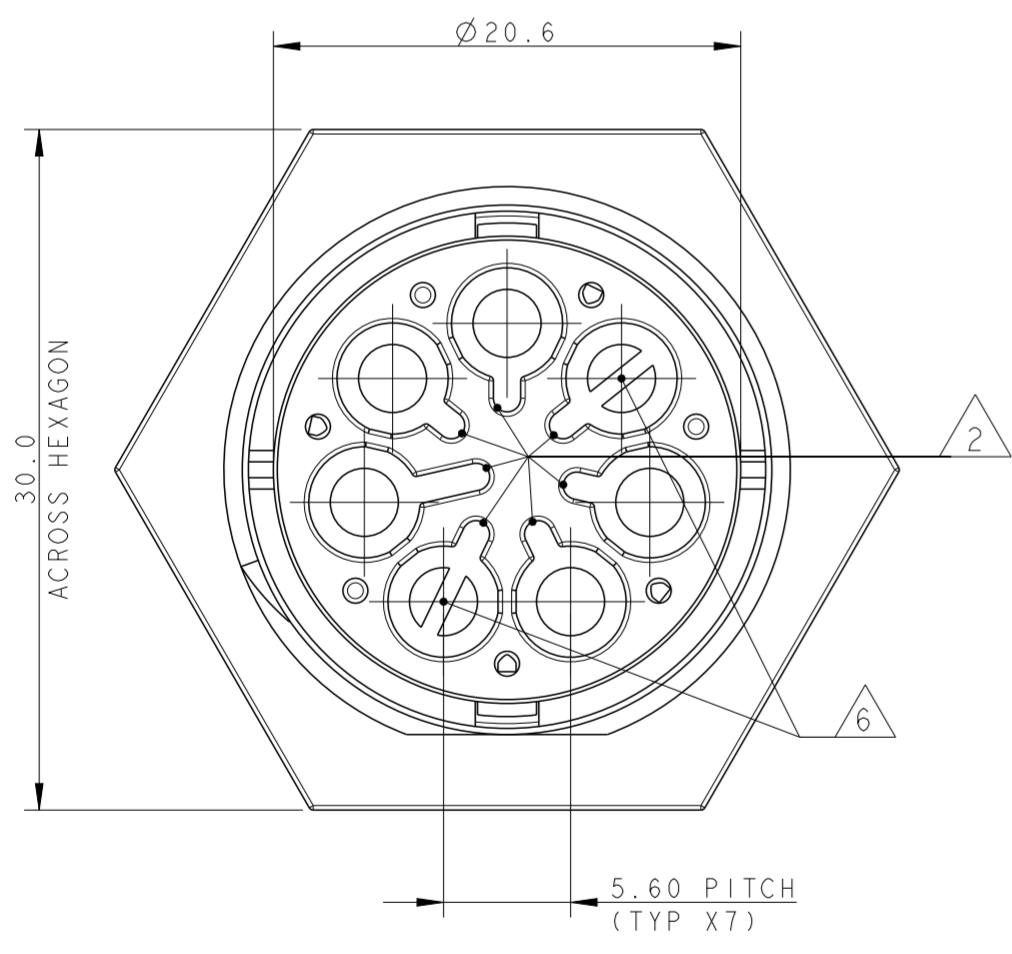
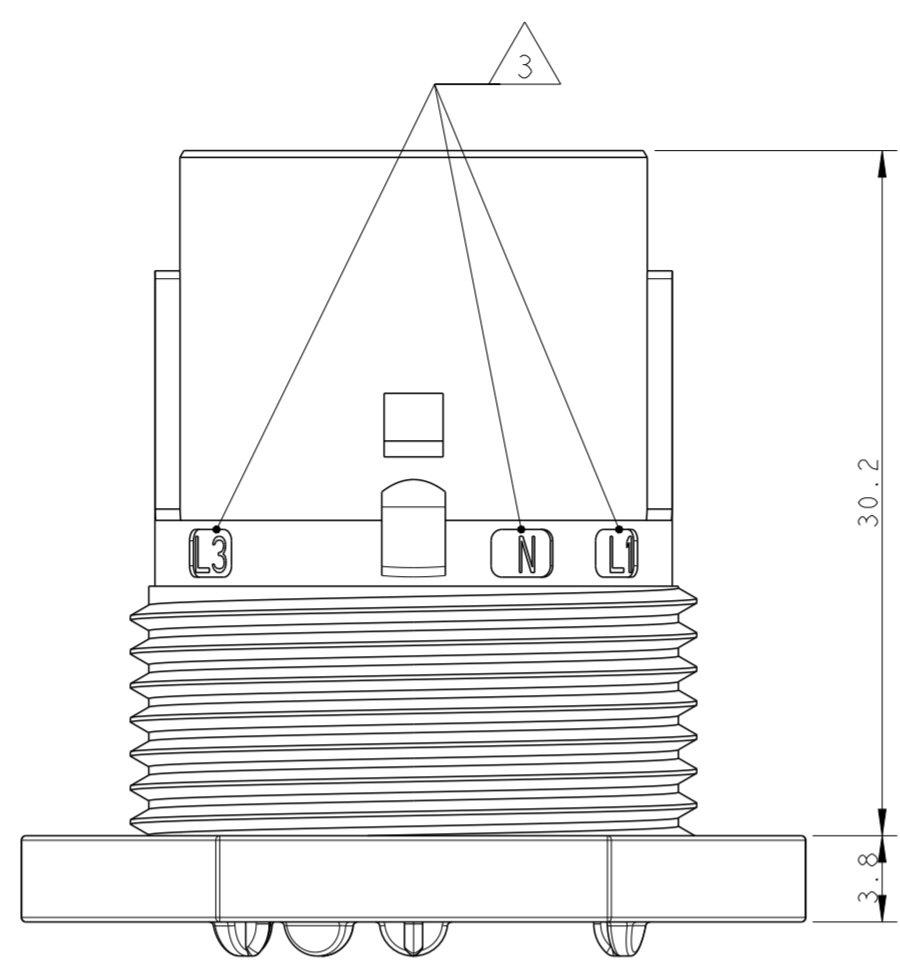
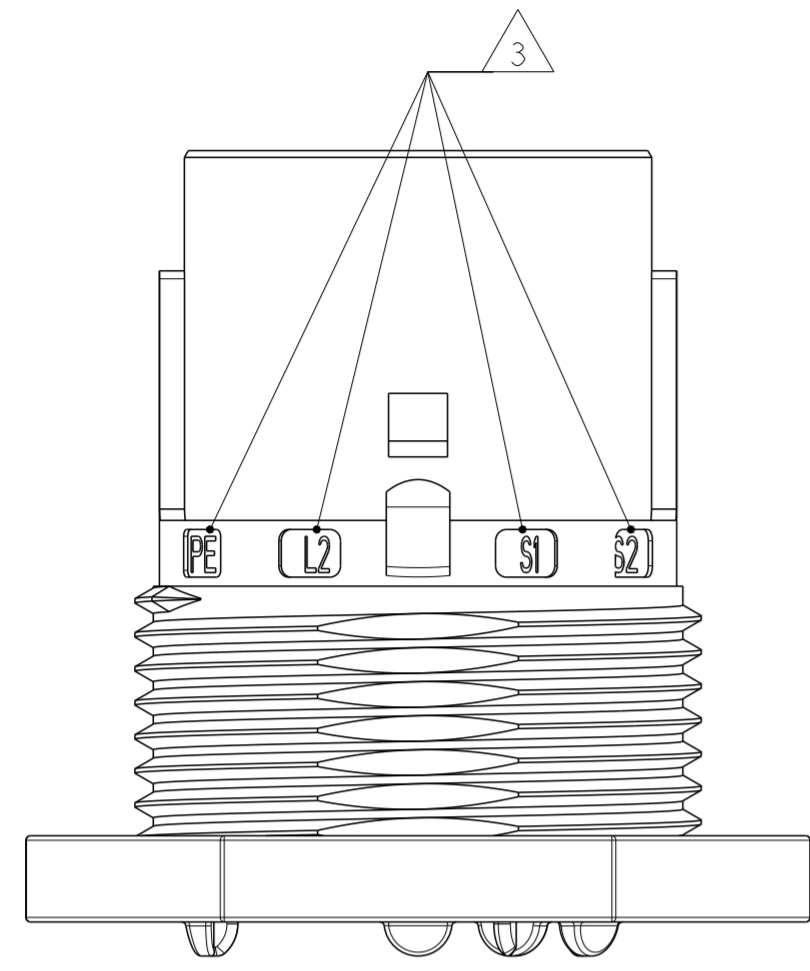
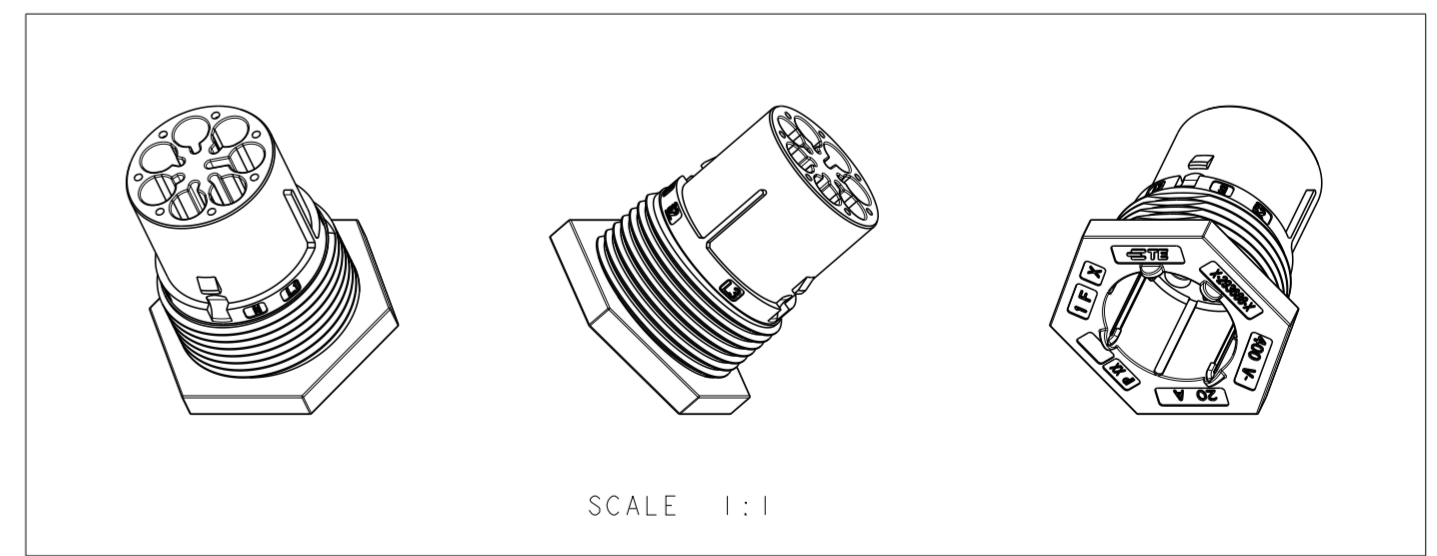


THIS DRAWING IS UNPUBLISHED. RELEASED FOR PUBLICATION 2011  
 © COPYRIGHT 2011 ALL RIGHTS RESERVED.

LOC		DIST		REVISIONS			
P	LTR	DESCRIPTION	DATE	DWN	APVD		
4		REVISED	02MAY2013	KR	JC		
5		UPDATED	22JUL2013	MZ	JC		
6		REVISED LATCH SHAPE	09AUG2013	KR	JC		
A		PARTS RELEASED FOR PRODUCTION	13NOV2013	MZ	JC		



- NOTES:
- 1 MATERIAL: PA GF (NATURAL AND BLACK COLOUR)
  - 2 ALL POLARIZATION KEYS SHOWN FOR REF ONLY
  - 3 WAYS I.D.
  - 4 CURRENT RATING
  - 5 VOLTAGE RATING
  - 6 RIB CLOSING CAVITIES BY CHANGE OVER
  - 7 TE LOGO
  - 8 TE PART NUMBER
  - 9 DATA CODE AND CAVITY I.D.
  - 10 AREA FOR AGENCIES APPROVAL LOGO
- 11) SEE C-DRAWING 293682 (LOCKING CAP) TO GET IP 40
- 12 IP CODE
  - 13 POLARISATION KEY "TYPE D" SUITABLE FOR DALI APPLICATION



THIS DRAWING IS A CONTROLLED DOCUMENT.		DWN M. ZUCCA 01APR2011		TE Connectivity		
DIMENSIONS: mm		CHK M. ZUCCA 01APR2011		NAME PIN HOUSING PANEL MOUNT		
TOLERANCES UNLESS OTHERWISE SPECIFIED:		APVD G. TURCO 01APR2011		NECTOR* M-LINE 5 POLES		
0 PLC ±- 1 PLC ±0.3 2 PLC ±0.20 3 PLC ±- 4 PLC ±- ANGLES ±3° FINISH		PRODUCT SPEC -		UNSEALED VERSION		
MATERIAL -		APPLICATION SPEC -	SIZE A2	CAGE CODE 0779	DRAWING NO C-293688	RESTRICTED TO -
		WEIGHT -	SCALE 3:1		SHEET 1 OF 3	REV A
		Customer Drawing				

THIS DRAWING IS UNPUBLISHED. RELEASED FOR PUBLICATION 2011  
 © COPYRIGHT 2011 ALL RIGHTS RESERVED.

LOC	DIST	REVISIONS			
P	LTR	DESCRIPTION	DATE	DWN	APVD
	-	SEE SHEET 1	-	-	-

### POLARIZATION TYPES

POLARIZATION TYPE "A"



PNs 0-293688-1 AND  
1-293688-1

POLARIZATION TYPE "B"



PNs 0-293688-2 AND  
1-293688-2

POLARIZATION TYPE "C"



PNs 0-293688-3 AND  
1-293688-3

POLARIZATION TYPE "D"



PNs 0-293688-4 AND  
1-293688-4

POLARIZATION TYPE "E"



PNs 0-293688-5 AND  
1-293688-5

TABLE 1

NOTE	POL. KEYING	COLOUR	DESCRIPTION	REV.	P/N
	E	BLACK	PIN HSG 5 POLES PANEL MOUNT NECTOR* M-LINE	A	1-293688-5
	D	BLACK	PIN HSG 5 POLES PANEL MOUNT NECTOR* M-LINE	A	1-293688-4
	C	BLACK	PIN HSG 5 POLES PANEL MOUNT NECTOR* M-LINE	A	1-293688-3
	B	BLACK	PIN HSG 5 POLES PANEL MOUNT NECTOR* M-LINE	A	1-293688-2
	A	BLACK	PIN HSG 5 POLES PANEL MOUNT NECTOR* M-LINE	A	1-293688-1
	E	NATURAL	PIN HSG 5 POLES PANEL MOUNT NECTOR* M-LINE	A	0-293688-5
	D	NATURAL	PIN HSG 5 POLES PANEL MOUNT NECTOR* M-LINE	A	0-293688-4
	C	NATURAL	PIN HSG 5 POLES PANEL MOUNT NECTOR* M-LINE	A	0-293688-3
	B	NATURAL	PIN HSG 5 POLES PANEL MOUNT NECTOR* M-LINE	A	0-293688-2
	A	NATURAL	PIN HSG 5 POLES PANEL MOUNT NECTOR* M-LINE	A	0-293688-1

THIS DRAWING IS A CONTROLLED DOCUMENT.

DWN	M. ZUCCA	01APR2011
CHK	M. ZUCCA	01APR2011
APVD	G. TURCO	01APR2011

**STE** TE Connectivity

NAME: PIN HOUSING PANEL MOUNT  
NECTOR\* M-LINE 5 POLES  
UNSEALED VERSION

SIZE	CAGE CODE	DRAWING NO	RESTRICTED TO
A2	0779	C-293688	-

Customer Drawing SCALE 3:1 SHEET 2 OF 3 REV A

DIMENSIONS:	TOLERANCES UNLESS OTHERWISE SPECIFIED:
mm	0 PLC ± 1 PLC ±0.3 2 PLC ±0.20 3 PLC ± 4 PLC ± ANGLES ±3° FINISH

THIS DRAWING IS UNPUBLISHED. RELEASED FOR PUBLICATION 2011  
 © COPYRIGHT 2011 ALL RIGHTS RESERVED.

LOC	DIST	REVISIONS			
P	LTR	DESCRIPTION	DATE	DWN	APVD
-	-	SEE SHEET 1	-	-	-



### PANEL/WALL SUGGESTED LAYOUT



THIS DRAWING IS A CONTROLLED DOCUMENT.		DWN M. ZUCCA	01APR2011	TE Connectivity	
DIMENSIONS: mm		CHK M. ZUCCA	01APR2011		
TOLERANCES UNLESS OTHERWISE SPECIFIED:		APVD G. TURCO	01APR2011	NAME PIN HOUSING PANEL MOUNT	
0 PLC ±		PRODUCT SPEC		NECTOR* M-LINE 5 POLES	
1 PLC ±0.3		APPLICATION SPEC		UNSEALED VERSION	
2 PLC ±0.20		WEIGHT		SIZE	CAGE CODE
3 PLC ±		Customer Drawing		A2	0779
4 PLC ±		SCALE 3:1		C-	293688
ANGLES ±3°		SHEET 3 OF 3		REV A	
FINISH		RESTRICTED TO		-	