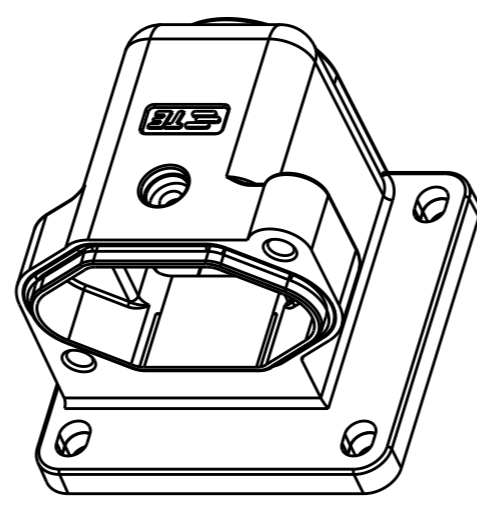
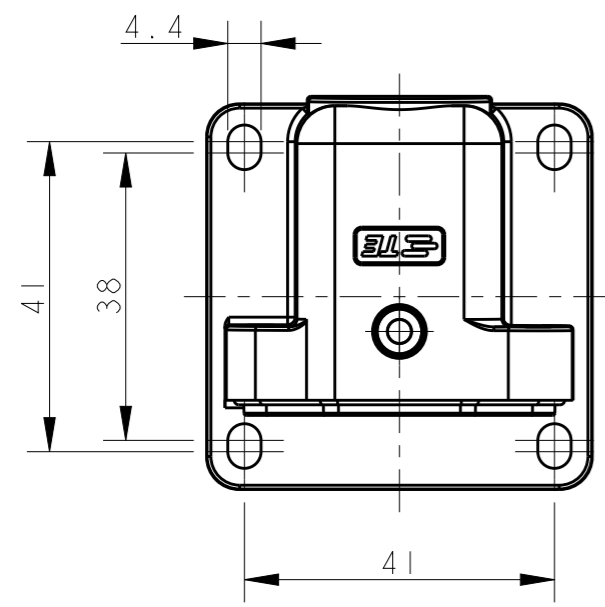


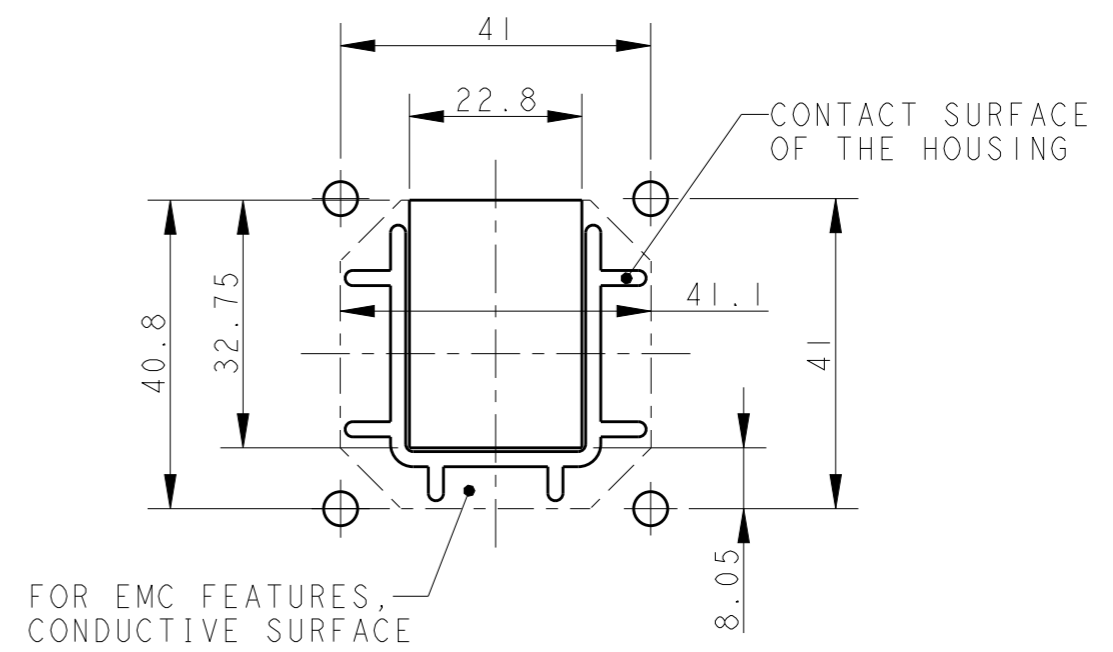
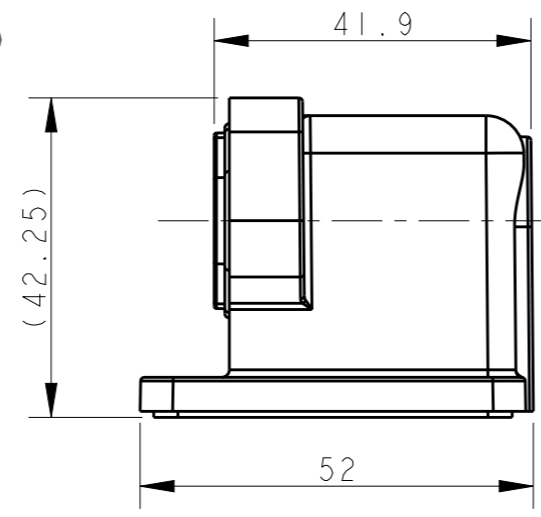
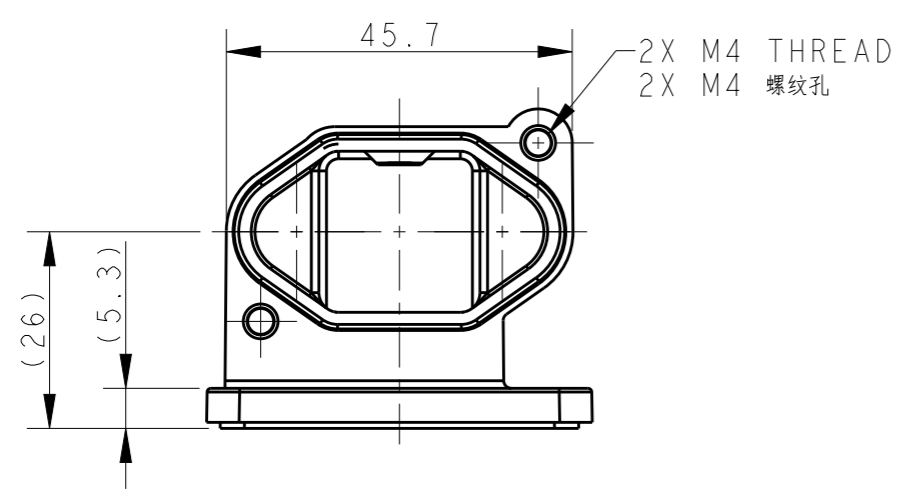
THIS DRAWING IS UNPUBLISHED. RELEASED FOR PUBLICATION 20
 © COPYRIGHT 20 BY - ALL RIGHTS RESERVED.

| REVISIONS | | | | | |
|-----------|-----|-----------------|-----------|-----|------|
| P | LTR | DESCRIPTION | DATE | DWN | APVD |
| | A | INITIAL RELEASE | 27SEP2016 | DW | CW |
| | | | | | |
| | | | | | |

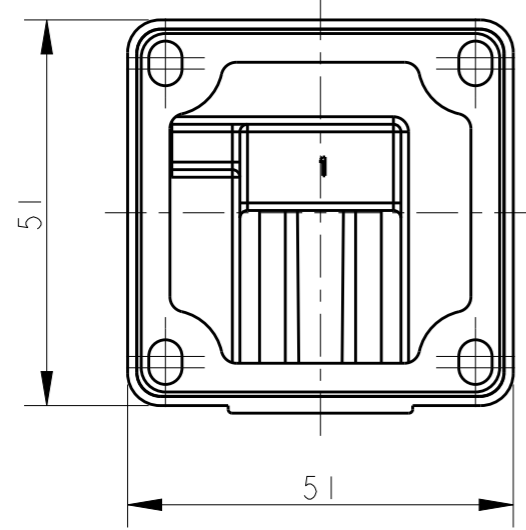


NOTES:
 1. TECHNICAL CHARACTERISTICS:
 HOUSING MATERIAL: DIE CAST ALUMINIUM ALLOY
 SURFACE : SEE TABLE
 DEGREE OF PROTECTION: IP68 (MATED)

注释:
 1. 技术参数:
 壳体材料: 铝合金
 表面处理: 见表格
 防护等级: IP68 (配合)



Panel Cut Out Dimension, Only for Reference
 面板开口尺寸, 仅供参考



| | | | | | | |
|--|--|--------------------------------|---|---|-----------------|---|
| THIS DRAWING IS A CONTROLLED DOCUMENT. | | DWN 27SEP2016 DAVID WANG | TE Connectivity | | | |
| DIMENSIONS: mm | | CHK 27SEP2016 CHRIS WANG | | | | |
| TOLERANCES UNLESS OTHERWISE SPECIFIED: | | APVD 27SEP2016 XIANG XU | NAME H3APR-MAGS-EMC-C | | | |
| 0 PLC ±- | | PRODUCT SPEC 108-137187 | SIZE CAGE CODE DRAWING NO RESTRICTED TO | | | |
| 1 PLC ±- | | APPLICATION SPEC 114-137187 | A3 | - | ©T194603X000009 | - |
| 2 PLC ±- | | WEIGHT | SCALE 1:1 SHEET 1 OF 2 REV A | | | |
| 3 PLC ±- | | CUSTOMER DRAWING | | | | |
| 4 PLC ±- | | | | | | |
| ANGLES ±- | | | | | | |
| FINISH | | | | | | |
| MATERIAL | | | | | | |

THIS DRAWING IS UNPUBLISHED.

RELEASED FOR PUBLICATION 20

© COPYRIGHT 20 BY - ALL RIGHTS RESERVED.

REVISIONS

| P | LTR | DESCRIPTION | DATE | DWN | APVD |
|---|-----|-------------|------|-----|------|
| - | | SEE SHEET 1 | - | - | - |
| | | | | | |
| | | | | | |

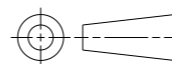
NOTES:
SEE SHEET 1

| | | | |
|-------------------|------------------------|-------------|--|
| T1946032000-009 | H3APR-MAGS-EMC-C | H3APR H3ARP | HOUSING, QUADRANGLED INNER-HEX SCREW LOCKING, BULKHEAD MOUNTED, ANGLED, POWDER COATED, GREY 内六角螺丝四角锁定开孔侧出下壳 黑色 |
| T1946031000-009 | H3APR-MAGS-EMC-C | H3APR H3ARP | HOUSING, QUADRANGLED INNER-HEX SCREW LOCKING, BULKHEAD MOUNTED, ANGLED, POWDER COATED, SILVER WHITE 内六角螺丝四角锁定开孔侧出下壳 银白色 |
| T1946030000-009 | H3APR-MAGS-EMC-C | H3APR H3ARP | HOUSING, QUADRANGLED INNER-HEX SCREW LOCKING, BULKHEAD MOUNTED, ANGLED, POWDER COATED, BLACK 内六角螺丝四角锁定开孔侧出下壳 黑色 |
| PART NUMBER 料号 | PART DESCRIPTION 描述 | | |

THIS DRAWING IS A CONTROLLED DOCUMENT.

DIMENSIONS:

mm



TOLERANCES UNLESS OTHERWISE SPECIFIED:

| | |
|--------|----|
| 0 PLC | ±- |
| 1 PLC | ±- |
| 2 PLC | ±- |
| 3 PLC | ±- |
| 4 PLC | ±- |
| ANGLES | ±- |

MATERIAL

FINISH

-

-

DWN 27SEP2016

DAVID WANG

CHK 27SEP2016

CHRIS WANG

APVD 27SEP2016

XIANG XU

PRODUCT SPEC

108-137187

APPLICATION SPEC

114-137187

WEIGHT

-

CUSTOMER DRAWING



TE Connectivity

NAME

H3APR-MAGS-EMC-C

SIZE

A3

CAGE CODE

-

DRAWING NO

©-T194603X000009

RESTRICTED TO

-

SCALE

1:1

SHEET

2 OF 2

REV

A