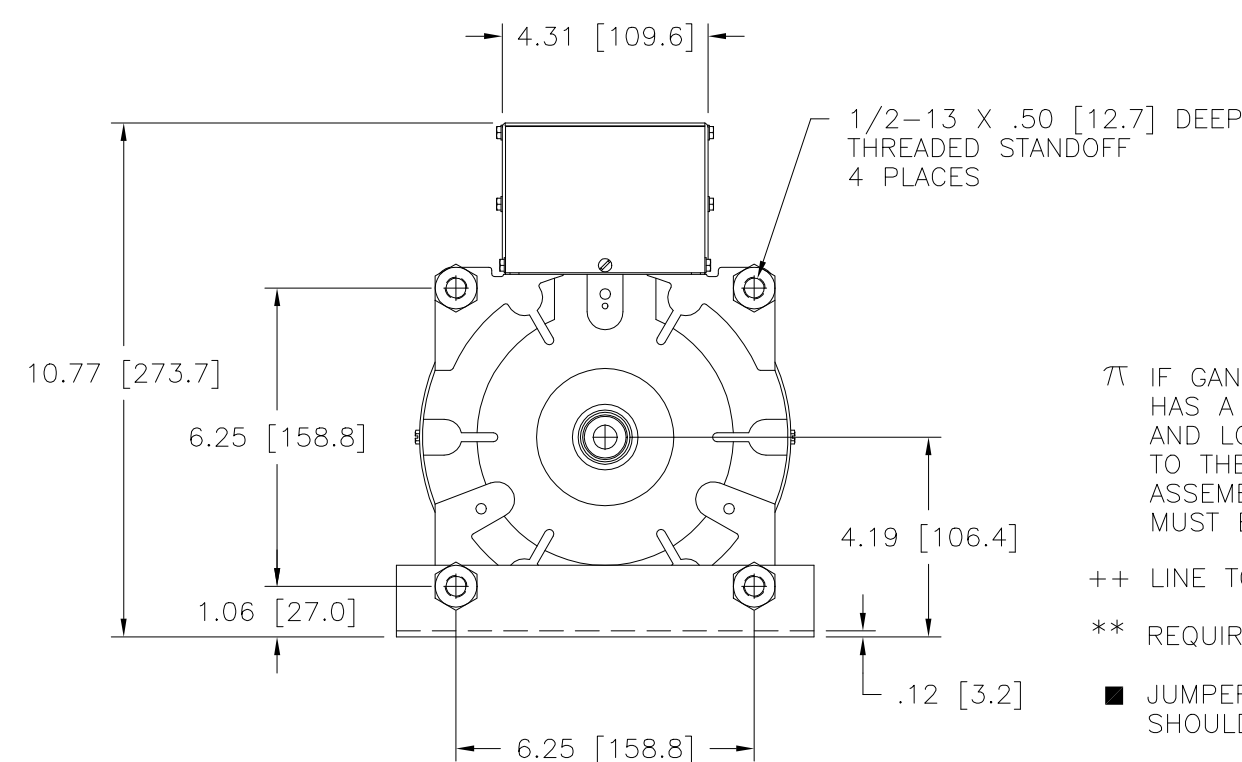


SCHMATIC  
 THREE PHASE OPEN DELTA AND SINGLE  
 PHASE SERIES. FUSE RECOMMENDED BUT  
 NOT SUPPLIED  
 SCHMATIC  
 SINGLE PHASE PARALLEL  
 FUSE RECOMMENDED BUT NOT SUPPLIED



π IF GANGED UNITS ARE USED IN A SYSTEM THAT ORDINARILY HAS A COMMON NEUTRAL OR GROUND BETWEEN SOURCE AND LOAD, THE NEUTRAL OR GROUND MUST BE CONNECTED TO THE COMMON TERMINALS OF THE VARIABLE TRANSFORMER ASSEMBLY. IF THE SYSTEM HAS NO NEUTRAL, THE LOAD MUST BE BALANCED OR THE TRANSFORMER WILL BE DAMAGED.

++ LINE TO LINE VOLTAGE.

\*\* REQUIRES ONE 51LAC PARALLELING CHOKE (NOT SUPPLIED).

■ JUMPER PROVIDED IN STANDARD COMMON POSITION AND SHOULD BE MOVED OR REMOVED AS REQUIRED.

NOTE:  
 UNIT IS SUPPLIED WITH A 7.00 [177.8] DIA.  
 0-100 GRADUATED DIAL PLATE FOR PANEL MOUNTING.

SPECIFICATIONS											
WIRING	INPUT		OUTPUT				SHAFT ROTATION TO INCREASE VOLTAGE	TERMINAL CONNECTIONS			
	VOLTS	HERTZ	VOLTS	CONSTANT CURRENT LOAD MAX. AMPS	CONSTANT IMPEDANCE LOAD MAX. KVA	MAX. AMPS		MAX. KVA	FOR INCREASING VOLTAGE AS VIEWED FROM BASE END ■		
SINGLE PHASE PARALLEL **	120	50/60	0-120	50	6.00	60	7.2	CW	2-2,4-4	---	4-B
			0-140	50	7.00	---	---	CCW	2-2,4-4	---	2-B
SINGLE PHASE SERIES	240	50/60	0-240	25	6.00	30	7.2	CW	2-2	4-4	3-3
			0-280	25	7.00	---	---	CCW	4-4	2-2	3-3
THREE PHASE OPEN DELTA π	120	50/60	0-120	25	5.20	30	6.2	CW	2-4-2	4-4	3-4-3
			0-140	25	6.06	---	---	CCW	4-2-4	2-2	3-2-3
								CW	1-4-1	4-4	3-4-3
								CCW	5-2-5	2-2	3-2-3

UNLESS OTHERWISE SPECIFIED, TOLERANCE IS # DECIMALS Holes .01 ANGLES DRAFT 1° UNITS IN [mm] 1-1/2"

MATERIAL: ALL DIMENSIONS APPLY AFTER PLATING

TITLE: SPEC. CONTROL DRAWING VARIABLE TRANSFORMER MODEL: 2510CT-2

STACO ENERGY PRODUCTS CO. A COMPONENTS CORPORATION OF AMERICA COMPANY DAYTON, OHIO U.S.A.

DRAWN BY S.A. SMITH DATE 6/19/97 FIRST USED ON DO NOT SCALE DWG. CUSTOMER APPROVAL DATE

CHECKER DATE WEIGHT APPROX. 50 LBS CODE IDENT. NO. 83008 DWG. NO. 031-5013

ENGINEER DATE SCALE .50=1 SHEET 1 OF 1