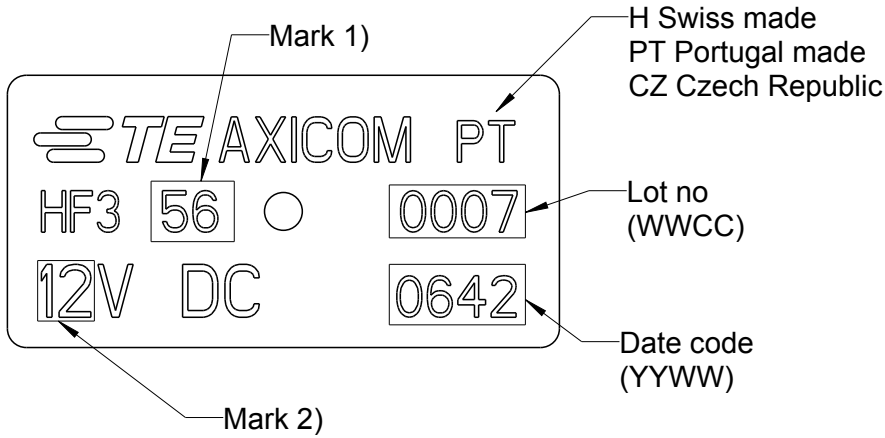


LOC	DIST	REVISIONS					
HJ	-	P	LTR	DESCRIPTION	DATE	DWN	APVD
			C1	ECR-14-007162 (Packaging information)	13OCT2015	AP	AK
			C	REVISED PER ECO-13-009645	18JUN2013	UKo	AK
			B3	New HF3 91R, HF3 93R, HF3 96R	12JAN2012	UKo	BK
			B2	Printing, new HF3 53RS	09JUL2010	UKo	HD



Packaging data code (Box, bag, reels):
P(YWWDSL)000
Shipping data code:
YYWW

P - Product code (9 to HF relay)
Y(Y) - Year (last digit for packaging)
WW - calendar week (from date code)
D - Day of the week (1=Sat,.....and 7=Fri)
S - Shift (1=day shift, 2 night shift)
L - Production Line
C - Weekly sequential number
000 - For internal use

Pos.	Relay-Typ	Mark 1)	Mark 2)	PN
1	HF3 51	51	3	1462051-1
2	HF3 51S	51S	3	3-1462051-0
3	HF3 52	52	4.5	1-1462051-6
4	HF3 52S	52S	4.5	2-1462051-8
5	HF3 53	53	5	1462051-2
6	HF3 53RS	53RS	5	3-1462051-3
7	HF3 53S	53S	5	2-1462051-3
8	HF3 54	54	6	1-1462051-7
9	HF3 55	55	9	1462051-3
10	HF3 56	56	12	1462051-4
11	HF3 56S	56S	12	3-1462051-1
12	HF3 57	57	24	1462051-5
13	HF3 57S	57S	24	2-1462051-2
14	HF3 71	71	3	1462051-6
15	HF3 72	72	4.5	1-1462051-8
16	HF3 73	73	5	1462051-7
17	HF3 73S	73S	5	2-1462051-7
18	HF3 74	74	6	1-1462051-9

2007

RELEASED FOR PUBLICATION

ALL RIGHTS RESERVED.

THIS DRAWING IS UNPUBLISHED.

© COPYRIGHT 2007

DIMENSIONS: mm	DWN UKo 9193	04APR2007	MATERIAL	-	FINISH	-
	CHK HD 9121	04APR2007	TE Connectivity			
TOLERANCES UNLESS OTHERWISE SPECIFIED: DIN 7168-m	APVD HD 9121	04APR2007				
0 PLC ±-	PRODUCT SPEC	-	HF3-Relay 50Ω			
1 PLC ±-	APPLICATION SPEC	-	Marking			
2 PLC ±-	WEIGHT	-	SIZE	CAGE CODE	DRAWING NO	RESTRICTED TO
3 PLC ±-			A4	00779	C- 1462051-1	-
4 PLC ±-			CUSTOMER DRAWING			
ANGLES ±-			SCALE	SHEET	OF	REV
			5:1	1	2	C1

LOC	DIST	REVISIONS					
		P	LTR	DESCRIPTION	DATE	DWN	APVD
HJ	-						
				SEE SHEET 1	-	-	-

Pos.	Relay-Typ	Mark 1)	Mark 2)	PN
19	HF3 75	75	9	1462051-8
20	HF3 76	76	12	1462051-9
21	HF3 77	77	24	1-1462051-0
22	HF3 91	91	3	1-1462051-1
23	HF3 91S	91S	3	3-1462051-2
24	HF3 91R	91R	3	3-1462051-7
25	HF3 92	92	4.5	2-1462051-0
26	HF3 92S	92S	4.5	2-1462051-5
27	HF3 93	93	5	1-1462051-2
28	HF3 93S	93S	5	2-1462051-4
29	HF3 93R	93R	5	3-1462051-5
30	HF3 94	94	6	2-1462051-1
31	HF3 95	95	9	1-1462051-3
32	HF3 96	96	12	1-1462051-4
33	HF3 96S	96S	12	2-1462051-6
34	HF3 96R	96R	12	3-1462051-6
35	HF3 97	97	24	1-1462051-5

2007





RELEASED FOR PUBLICATION

ALL RIGHTS RESERVED.

COPYRIGHT 2007

THIS DRAWING IS UNPUBLISHED.



DIMENSIONS: mm	DWN UKo 9193	04APR2007	MATERIAL	-	FINISH	-		
	CHK HD 9121	04APR2007	 TE Connectivity	HF3-Relay 50Ω Marking				
TOLERANCES UNLESS OTHERWISE SPECIFIED: DIN 7168-m	APVD HD 9121	04APR2007					NAME	
0 PLC \pm -	PRODUCT SPEC		SIZE	CAGE CODE	DRAWING NO	RESTRICTED TO		
1 PLC \pm -	-		A4 00779  1462051-1					
2 PLC \pm -	APPLICATION SPEC		-					
3 PLC \pm -	-		-					
4 PLC \pm -	WEIGHT		-					
ANGLES \pm -	-		-					
 	CUSTOMER DRAWING		SCALE	5:1	SHEET	2 OF 2	REV	C1