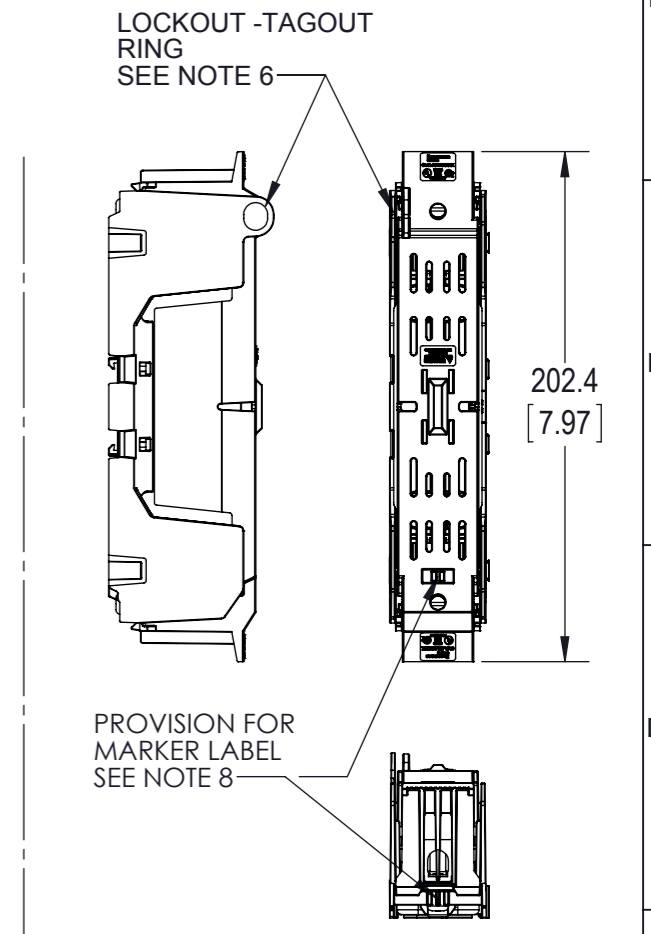
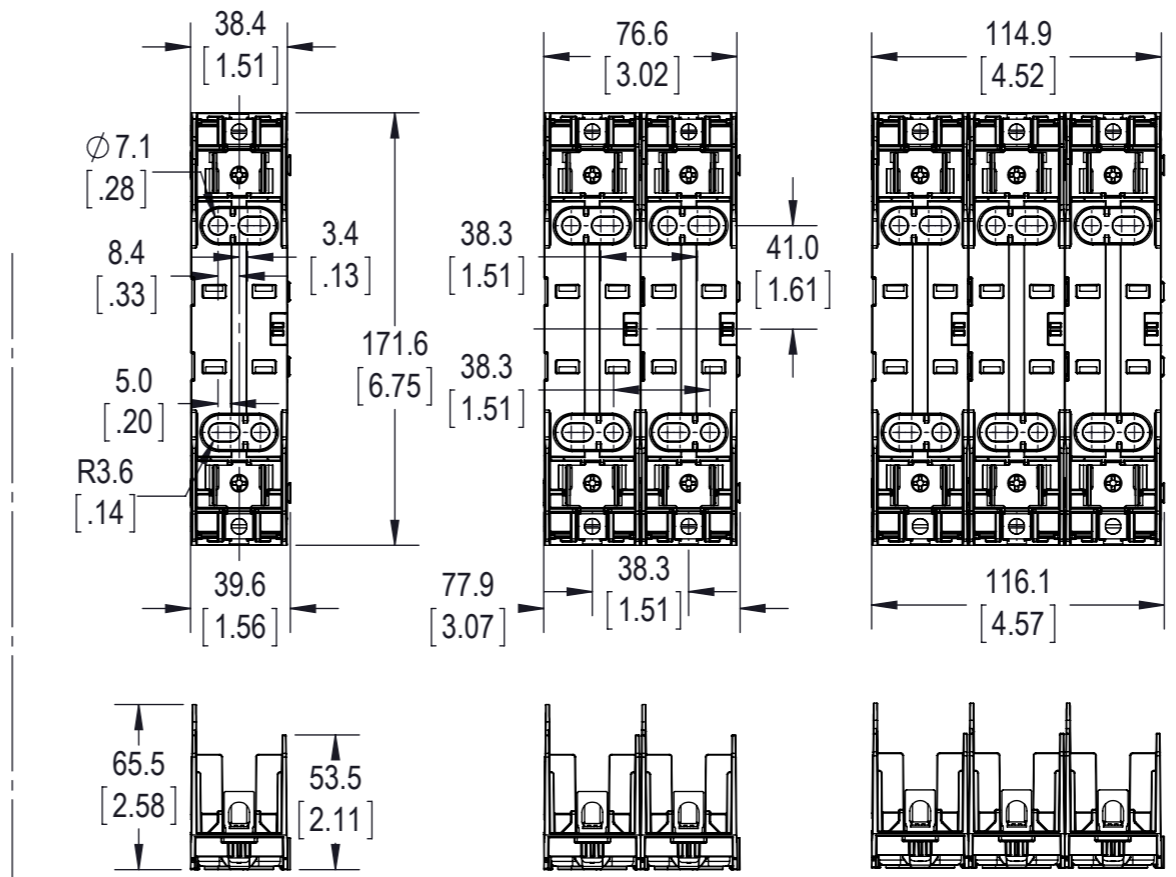
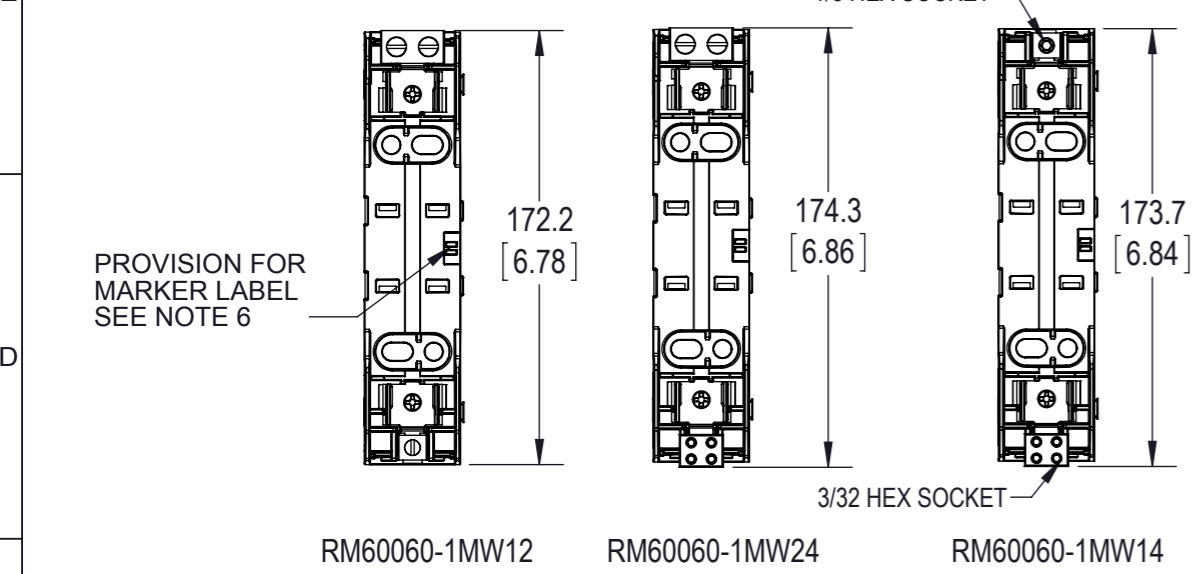


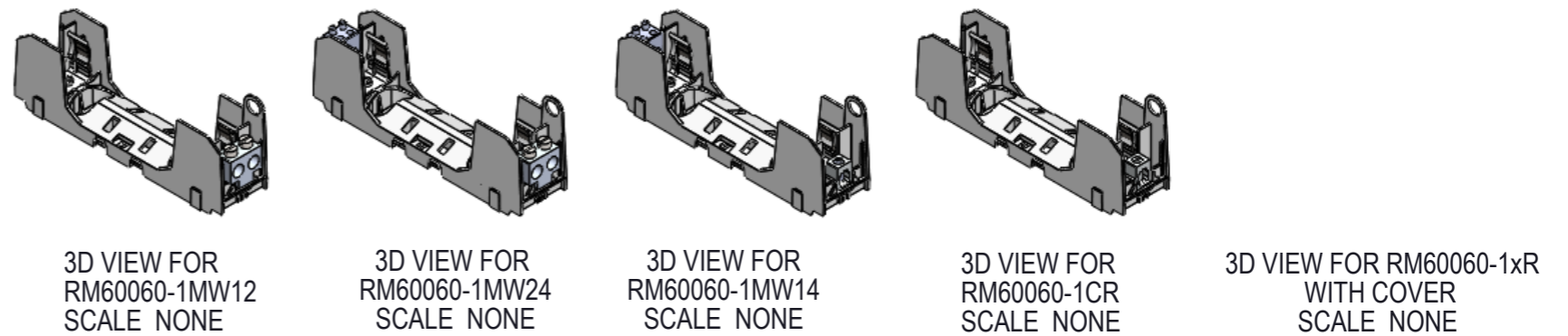
CATALOG NO.	TERMINAL TYPE	IP20 FINGER SAFE COVERS		NO. OF POLES
		W/O INDICATION	INDICATION	
RM60060-1CR*	BOX LUG 1 PORT			1
RM60060-2CR*	BOX LUG 1 PORT			2
RM60060-3CR*	BOX LUG 1 PORT			3
RM60060-1MW14	BOX LUG - 1 TO 4 PORT			1
RM60060-2MW14	BOX LUG - 1 TO 4 PORT			2
RM60060-3MW14	BOX LUG - 1 TO 4 PORT			3
RM60060-1MW12	BOX LUG - 1 TO 2 PORT	CVR-RH-60060	CVRI-RH-60060	1
RM60060-2MW12	BOX LUG - 1 TO 2 PORT			2
RM60060-3MW12	BOX LUG - 1 TO 2 PORT			3
RM60060-1MW24	BOX LUG - 2 TO 4 PORT			1
RM60060-2MW24	BOX LUG - 2 TO 4 PORT			2
RM60060-3MW24	BOX LUG - 2 TO 4 PORT			3

\* -CHR ALSO AVAILABLE; SEE NOTE 10



- NOTES:
- VOLTAGE RATING: 600V
  - AMPERAGE: 60A
  - WITHSTAND RATING: CLASS R = 200kA; CLASS H = 10kA
  - WIRE: -CR/-MW12/MW14 CU/AL 75C  
-MW24 CU/AL 75/90C
  - 1 PORT WIRE RANGE: (1) 2 - 14 AWG CU  
2-3: 50 lb-in (5.6 Nm)  
4-6, 45 lb-in (5.1 Nm)  
8, 40 lb-in (4.5 Nm)  
10-14, 35 lb-in (4.0 Nm)  
(2) 12-14, 50 lb-in (5.6 Nm)  
(1) 2 - 8 AWG AL  
2-3: 50 lb-in (5.6 Nm)  
4-6, 45 lb-in (5.1 Nm)  
8, 40 lb-in (4.5 Nm)
  - 4 PORT WIRE RANGE: (1) 8-14 AWG CU  
8 AWG 3.4 Nm (30 in-lb)  
14-10 2.8 Nm (25 in-lb)  
(2) 12-14 AWG CU  
12-14 3.4 Nm (30 in-lb)  
(1) 8-10 AWG AL  
8 Str/10 Sol: 3.4 Nm (30 in-lb)
  - 2 PORT WIRE RANGE: (1) CU 2-14, AL 2-8  
2 - 4 AWG 5.6 Nm (50 lb-in)  
6-10 AWG 4.5 Nm (40 lb-in)  
12-14 AWG 1.7 Nm (15 lb-in)
  - USE 4MM DIA. CABLE LOCK OR 1/4 INCH DIA. HASP PADLOCK.
  - RECOMMEND USING DIN-RAIL END STOPS FOR DIN RAIL MOUNTED APPLICATIONS  
BUSSMANN PART NUMBERS BRKT-ND OR BRKT-NDSCREW2
  - USE BUSSMANN MAKER LABEL TM26CB
  - ALL DIMENSIONS ARE TYPICAL UNLESS OTHERWISE INDICATED
  - CHR IS IDENTICAL TO THE -CR EXCEPT WITH A 1/8 INCH HEX WIRE CONNECTOR SCREW

1-POLE RM60060-1CR SHOWN      2-POLE RM60060-2CR SHOWN      3-POLE RM60060-3CR SHOWN      RM60060-1CR SHOWN WITH COVER



EATON CORPORATION - CONFIDENTIAL AND PROPRIETARY  
NOTICE TO PERSONS RECEIVING THIS DOCUMENT AND/OR TECHNICAL INFORMATION

THIS DRAWING IS AN UNCONTROLLED COPY IF PRINTED OR SENT ELECTRONICALLY. DO NOT SCALE DRAWING

GENERAL DRAWING PRACTICES IN ACCORDANCE WITH ASME - Y14.100-2004 DIMENSIONS AND TOLERANCES IN ACCORDANCE WITH ASME - Y14.5M-1994 UNLESS OTHERWISE SPECIFIED DIMENSIONS ARE IN MILLIMETERS

UNLESS OTHERWISE SPECIFIED TOLERANCES TO BE MILLIMETERS ± 0.13 mm ANGULAR ± 1°

**EATON** BUSSMANN SERIES

TITLE: **600V / 60AMP CLASS R & H FUSE BLOCK**

SIZE: **A3** DWG NO.: **RM60060-HM60060-CP** REV: **B**

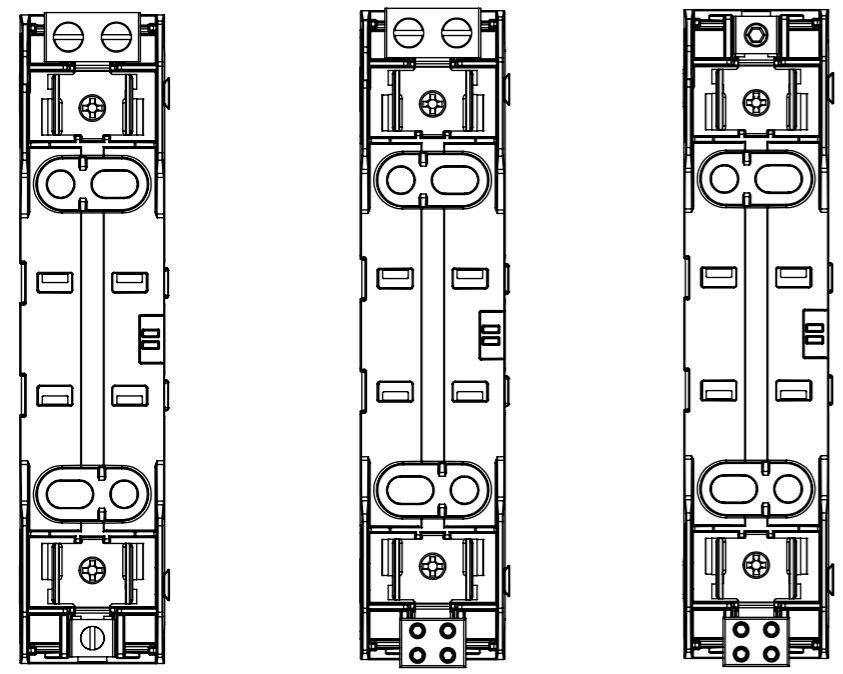
SCALE: 1:3 SHEET 1 OF 3

CUSTOMER PRINT  
THIRD ANGLE PROJECTION

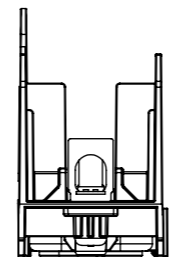
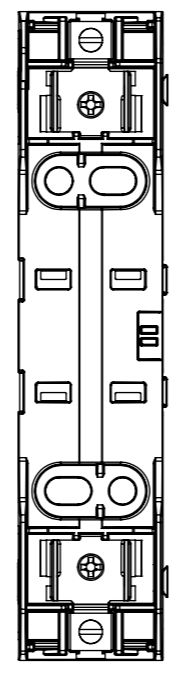
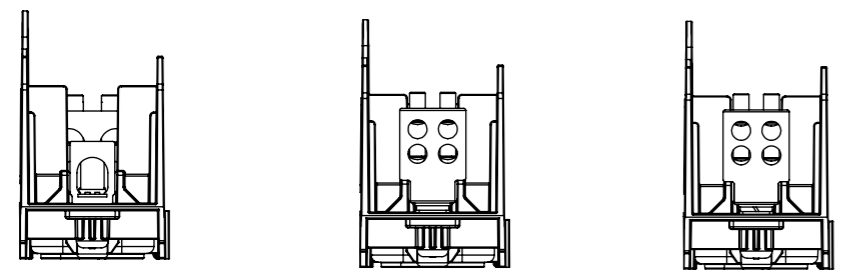
© 2012 Eaton Corporation. All Rights Reserved.

CATALOG NO.	TERMINAL TYPE	IP20 FINGER SAFE COVERS		NO. OF POLES
		W/O INDICATION	INDICATION	
HM60060-1CR*	BOX LUG 1 PORT	CVR-RH-60060	CVRI-RH-60060	1
HM60060-2CR*	BOX LUG 1 PORT			2
HM60060-3CR*	BOX LUG 1 PORT			3
HM60060-1MW14	BOX LUG - 1 TO 4 PORT			1
HM60060-2MW14	BOX LUG - 1 TO 4 PORT			2
HM60060-3MW14	BOX LUG - 1 TO 4 PORT			3
HM60060-1MW12	BOX LUG - 1 TO 2 PORT			1
HM60060-2MW12	BOX LUG - 1 TO 2 PORT			2
HM60060-3MW12	BOX LUG - 1 TO 2 PORT			3
HM60060-1MW24	BOX LUG - 2 TO 4 PORT			1
HM60060-2MW24	BOX LUG - 2 TO 4 PORT			2
HM60060-3MW24	BOX LUG - 2 TO 4 PORT			3

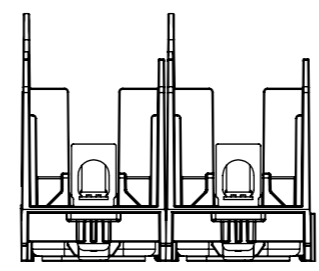
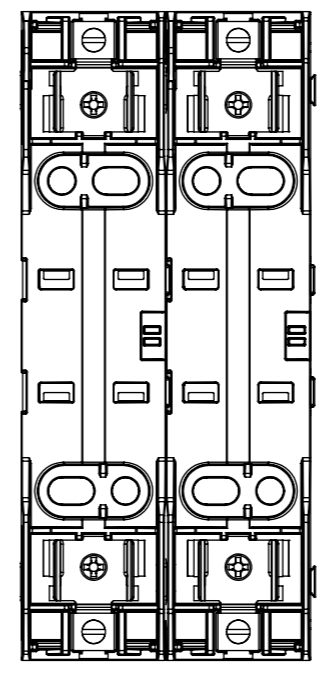
\* -CHR ALSO AVAILABLE; SEE NOTE 10



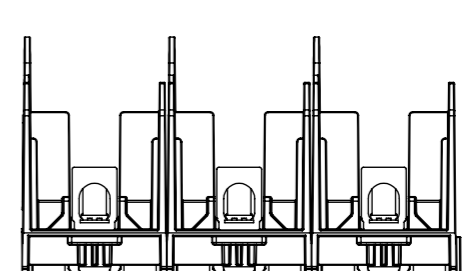
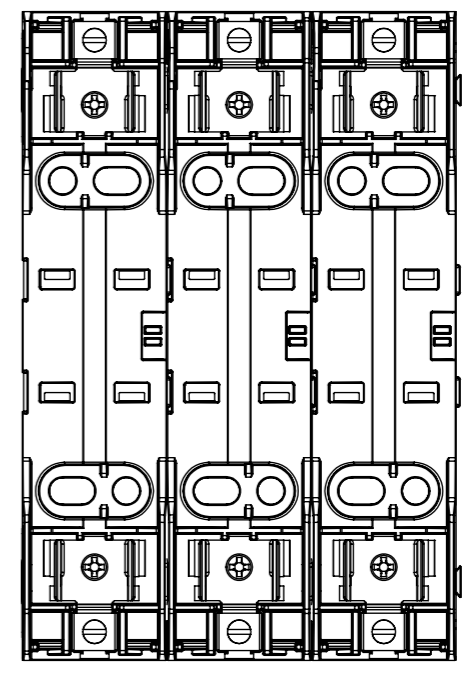
HM60060-1MW12      HM60060-1MW24      HM60060-1MW14



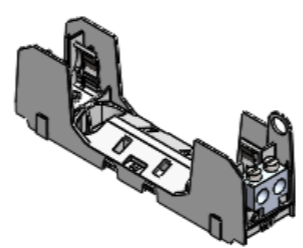
1-POLE  
HM60060-1CR SHOWN



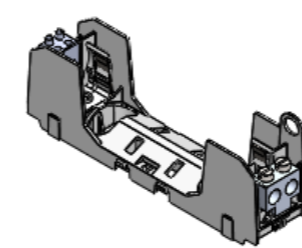
2-POLE  
HM60060-2CR SHOWN



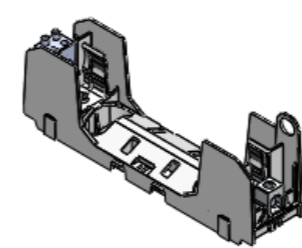
3-POLE  
HM60060-3CR SHOWN



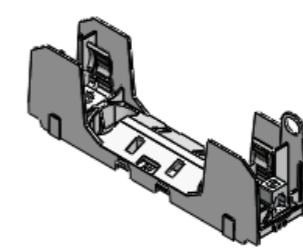
3D VIEW FOR  
HM600060-1MW12  
SCALE NONE



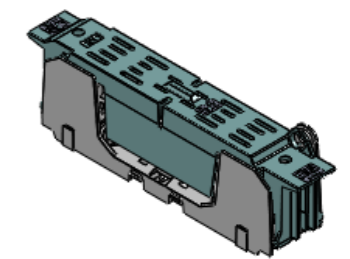
3D VIEW FOR  
HM60060-1MW24  
SCALE NONE



3D VIEW FOR  
HM60060-1MW14  
SCALE NONE



3D VIEW FOR  
HM60060-1CR  
SCALE NONE



3D VIEW FOR HM60060-1xR  
WITH COVER  
SCALE NONE

**EATON** BUSSMANN SERIES

TITLE: **600V / 60AMP CLASS R & H FUSE BLOCK**

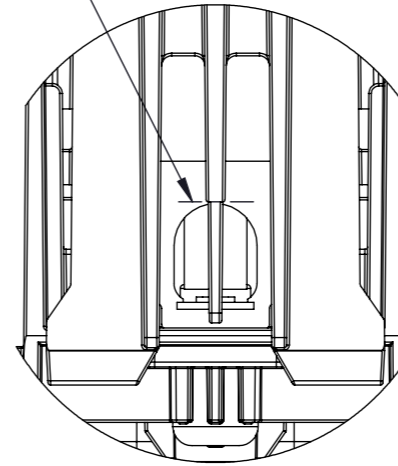
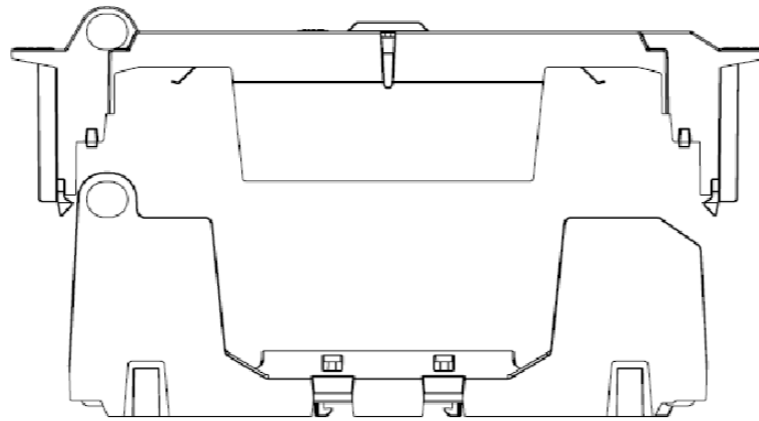
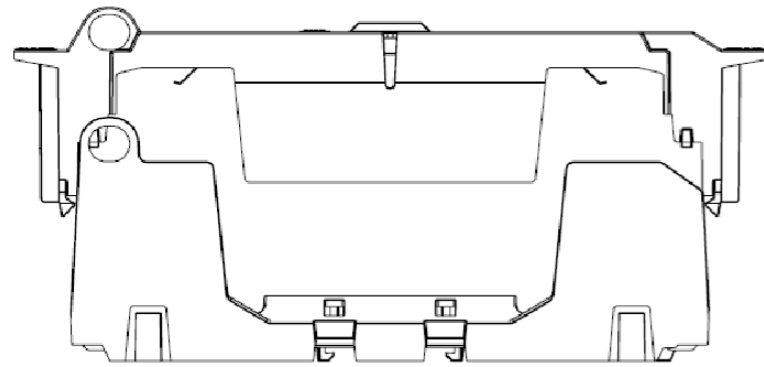
SIZE: **A3**      DWG NO.: **RM60060-HM60060-CP**      REV: **B**

SCALE: 1:2      SHEET 2 OF 3

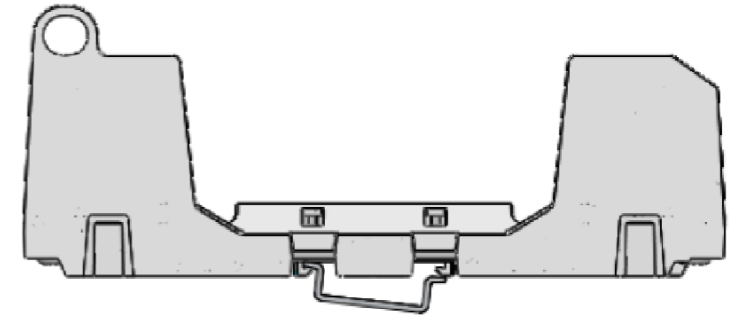
8.A3\_BUSS\_M60\_CERBL\_REV\_A

8 7 6 5 4 3 2 1

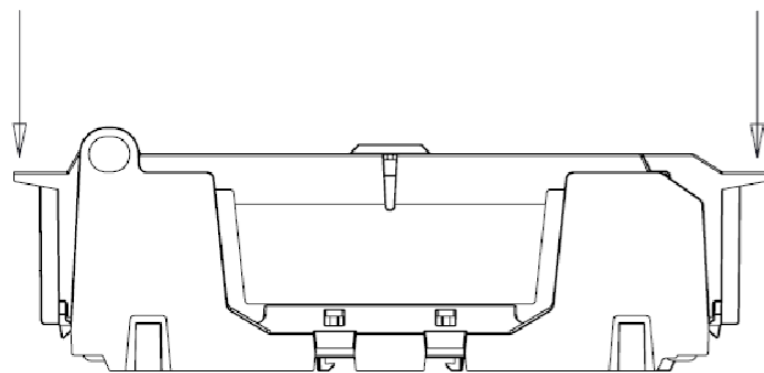
CUT COVER TAB  
AT NOTCH FOR  
USE WITH WIRES  
LARGER THAN  
8 AWG



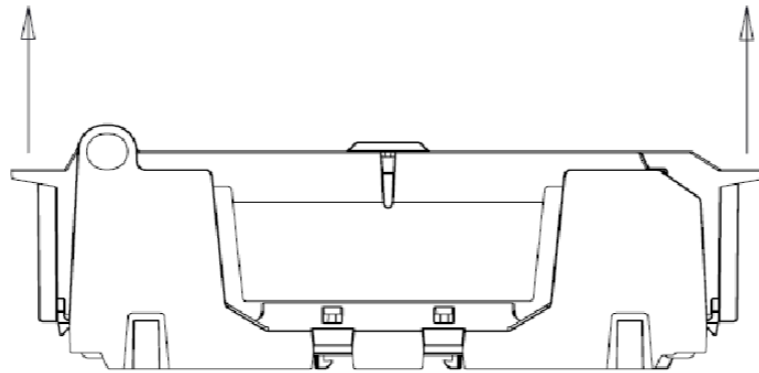
DETAIL A  
SCALE 4 : 3



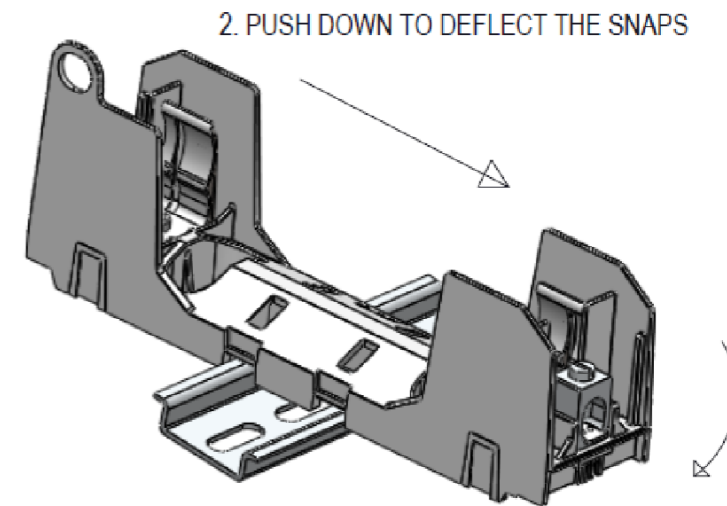
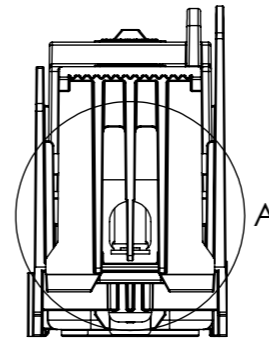
1. HOOK DIN RAIL SNAPS ON ONE SIDE OF THE DIN RAIL



**CLOSING**  
PUSH STRAIGHT DOWN UNTIL SNAPS CLICK  
INTO PLACE



**OPENING**  
PULL STRAIGHT UP AT BOTH OUTSIDE  
HANDLES



2. PUSH DOWN TO DEFLECT THE SNAPS

3. ROTATE UNTIL THE  
OPPOSITE SIDE SNAPS  
ONTO DIN RAIL

**INSTALLATION ON DIN RAIL**  
END STOPS MAY BE NECESSARY FOR SOME  
ASSEMBLY CONDITIONS - SEE NOTE 7

**EATON** BUSSMANN  
SERIES

TITLE  
**600V / 60AMP CLASS R & H FUSE BLOCK**

SIZE DWG NO. REV  
**A3** **RM60060-HM60060-CP** **B**

SCALE: 2:3 SHEET 3 OF 3

8 7 6 5 4 3 2 1

F  
E  
D  
C  
B  
A

F  
E  
D  
C  
B  
A

SLA3\_BUSS\_MAL\_CERBL\_REV\_A