

THIS DOCUMENT CONTAINS PROPRIETARY DATA OF POLARIS INDUSTRIAL ENTERPRISES, INC. NO DISCLOSURE, REPRODUCTION, OR USE OF ANY PART THERE OF MAY BE MADE EXCEPT BY WRITTEN PERMISSION.

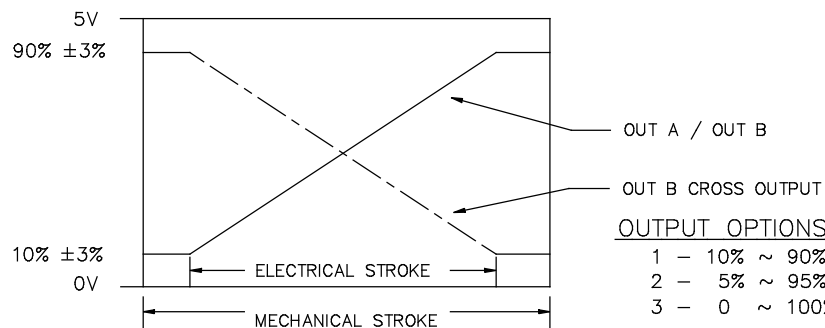
REV.	BY	DATE	APPRVL.	P/N	LHK15-30
------	----	------	---------	-----	----------

GENERAL SPECIFICATION:

CURRENT CONSUMPTION SINGLE OUTPUT ----- WITHIN 15mA  
 CURRENT CONSUMPTION DUAL OUTPUT----- WITHIN 30mA  
 INDEPENDENT LINEARITY TOL. -----  $\pm 0.5\%FS$   
 MECHANICAL STROKE (MS) ----- APPROX. 34mm  
 ELECTRICAL STROKE ----- 30mm $\pm 0.5mm$   
 APPLIED VOLTAGE ----- 5V $\pm 10\%D.C$   
 LOAD RESISTANCE ----- 10KOHMS MIN  
 EFFECTIVE OUTPUT ----- 10%  $\pm 3\%$  ~ 90%  $\pm 3\%$  VIN  
 OUTPUT TEMPERATURE CHARACT. ----- WITHIN $\pm 0.8\%VOUT.FS$   
 OPERATING TEMPERATURE RANGE -----  $-40^{\circ}C$  ~  $+105^{\circ}C$   
 STORAGE TEMPERATURE RANGE -----  $-40^{\circ}C$  ~  $+105^{\circ}C$   
 STOPPER STRENGTH ----- APPROX. 20N (2kgF)  
 FRICTION ----- WITHIN 0.6N(60gF)  
 MASS ----- APPROX 44g

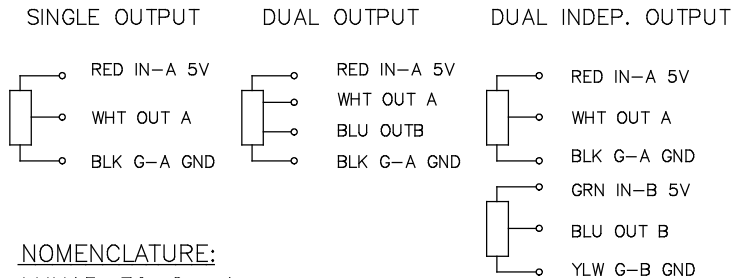
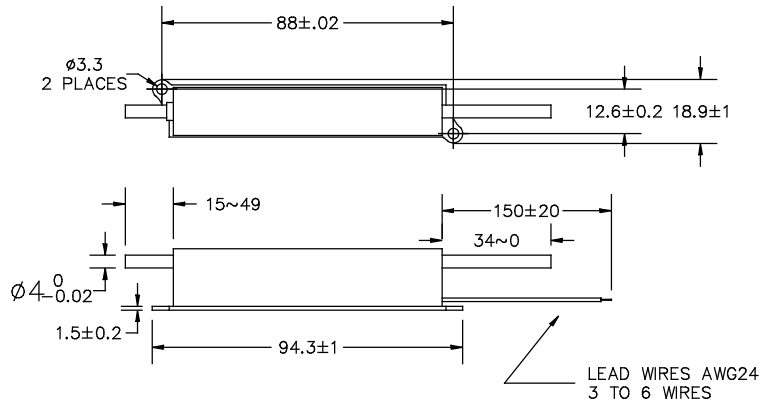
ENVIRONMENTAL SPECIFICATION:

THERMAL SHOCK ----- 5 CYCLES  $-40^{\circ}C$  ~  $+105^{\circ}C$   
 EXPOSURE TO LOW TEMPERATURE ----- 24 HOURS AT  $-40^{\circ}C$   
 EXPOSURE AT HIGH TEMPERATURES ----- 1,000 HOURS AT  $+105^{\circ}C$   
 VIBRATION ----- 10 ~ 2,000Hz 196m/s.s 12 HOURS  
 SHOCK ----- 980m/s.s 6ms (18 TIMES)  
 LIFE EXPECTANCY ----- APPROX. 50,000,000 RECIPROCATING MOTIONS  
 EMS TOLERANCE ----- 100V/m (80MHz ~ 1GHz 1KHz SIN WAVE  
 80% AMPLITUDE MODULATION)  
 ESD TOLERANCE -----  $\pm 8KV$  CONTACT /  $\pm 15KV$  AERIAL DISCHARGE



OUTPUT OPTIONS:

- 1 - 10% ~ 90%
- 2 - 5% ~ 95%
- 3 - 0 ~ 100%



NOMENCLATURE:

LHK15-30-S -1  
 OUTPUT OPTION (1,2 OR 3)  
 OUTPUT TYPE (S, X, P, IX OR IP)  
 SERIES

<p><u>TOLERANCES</u>          XX = +/- .010" FRACT. = +/- 1/64"          XXX = +/- .005" ANGLES = +/- 1/2"          ALL SPECIFICATIONS SUBJECT TO CHANGE WITHOUT NOTICE.</p>	SCALE	DATE: 9-11-13		<p>ETI SYSTEMS          CARLSBAD CALIFORNIA</p>	TITLE	<p>PART NO.          LHK15-30</p>
	NONE	BY AT			CONTACTLESS POTENTIOMETER	
	CODE IDENT: 19477	APPRV'D				