

THIS DOCUMENT CONTAINS PROPRIETARY DATA OF POLARIS INDUSTRIAL ENTERPRISES, INC. NO DISCLOSURE, REPRODUCTION, OR USE OF ANY PART THERE OF MAY BE MADE EXCEPT BY WRITTEN PERMISSION.

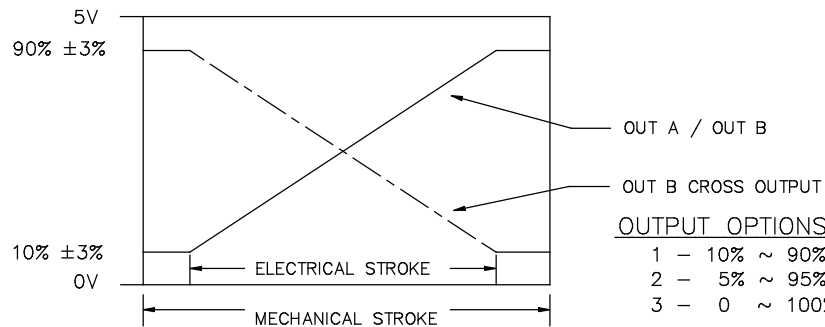
|      |    |      |         |     |          |
|------|----|------|---------|-----|----------|
| REV. | BY | DATE | APPRVL. | P/N | LHK15-30 |
|------|----|------|---------|-----|----------|

GENERAL SPECIFICATION:

CURRENT CONSUMPTION SINGLE OUTPUT ----- WITHIN 15mA  
 CURRENT CONSUMPTION DUAL OUTPUT----- WITHIN 30mA  
 INDEPENDENT LINEARITY TOL. ----- ±0.5%FS  
 MECHANICAL STROKE (MS) ----- APPROX. 34mm  
 ELECTRICAL STROKE ----- 30mm±0.5mm  
 APPLIED VOLTAGE ----- 5V±10%D.C  
 LOAD RESISTANCE ----- 10KOHMS MIN  
 EFFECTIVE OUTPUT ----- 10% ±3% ~ 90% ±3% VIN  
 OUTPUT TEMPERATURE CHARACT. ----- WITHIN±0.8%VOUT.FS  
 OPERATING TEMPERATURE RANGE ----- -40°C ~ +105°C  
 STORAGE TEMPERATURE RANGE ----- -40°C ~ +105°C  
 STOPPER STRENGTH ----- APPROX. 20N (2kgF)  
 FRICTION ----- WITHIN 0.6N(60gF)  
 MASS ----- APPROX 44g

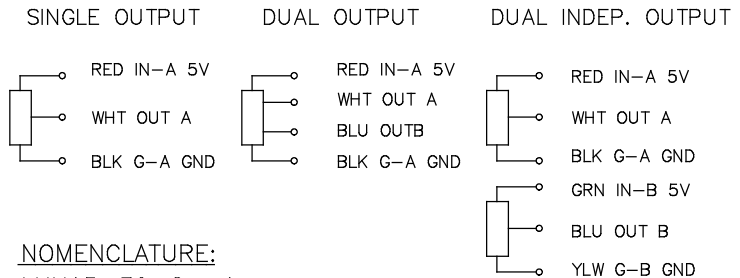
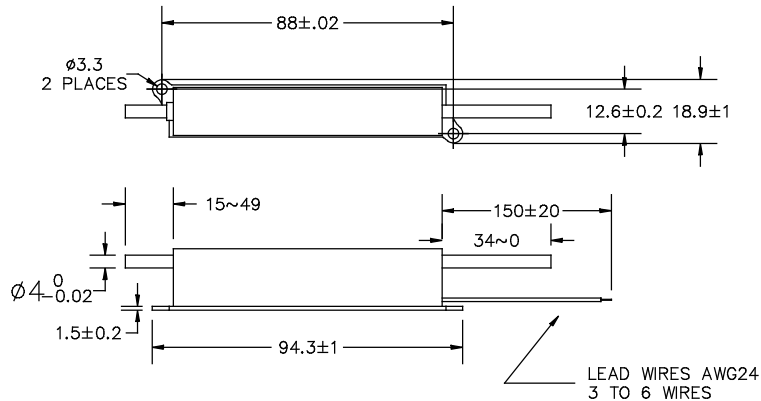
ENVIRONMENTAL SPECIFICATION:

THERMAL SHOCK ----- 5 CYCLES -40°C ~ +105°C  
 EXPOSURE TO LOW TEMPERATURE ----- 24 HOURS AT -40°C  
 EXPOSURE AT HIGH TEMPERATURES ----- 1,000 HOURS AT +105°C  
 VIBRATION ----- 10 ~ 2,000Hz 196m/s.s 12 HOURS  
 SHOCK ----- 980m/s.s 6ms (18 TIMES)  
 LIFE EXPECTANCY ----- APPROX. 50,000,000 RECIPROCATING MOTIONS  
 EMS TOLERANCE ----- 100V/m (80MHz ~ 1GHz 1KHz SIN WAVE  
 80% AMPLITUDE MODULATION)  
 ESD TOLERANCE ----- ±8KV CONTACT / ±15KV AERIAL DISCHARGE



OUTPUT OPTIONS:

- 1 - 10% ~ 90%
- 2 - 5% ~ 95%
- 3 - 0 ~ 100%



NOMENCLATURE:

LHK15-30-S -1  
 -1 OUTPUT OPTION (1,2 OR 3)  
 -S OUTPUT TYPE (S, X, P, IX OR IP)  
 - SERIES

|  |                   |               |  |   |               |                                       |
|--|-------------------|---------------|--|---|---------------|---------------------------------------|
| <p><u>TOLERANCES</u><br/>         XX = +/- .010" FRACT. = +/- 1/64"<br/>         XXX = +/- .005" ANGLES = +/- 1/2"<br/>         ALL SPECIFICATIONS SUBJECT TO CHANGE WITHOUT NOTICE.</p> | SCALE             | DATE: 9-11-13 |  | <p>ETI SYSTEMS<br/>         CARLSBAD CALIFORNIA</p> | TITLE         | <p>PART NO.<br/>         LHK15-30</p> |
|  | NONE              | BY AT         |  |   | CONTACTLESS   |                                       |
|  | CODE IDENT: 19477 | APPRV'D       |  |   | POTENTIOMETER |                                       |