

DESCRIPTION

The IS31SE5104 is an ultra low power, fully integrated solution for capacitive touch applications with up to 4 surfaces. The chip allows electrodes to project sense fields through any dielectric such as glass or plastic. On-chip calibration logic continuously monitors the environment and automatically adjusts on-and-off threshold levels to prevent false sensor activation.

The IS31SE5104 is fully programmable via a 400kHz I2C serial bus protocol.

FEATURES

- Supply voltage from 2.7V to 5.5V
- I2C interface, 1.8V/2.8V is allowed
- Auto offset compensation
- Fully integrated sense controller with 4 capacitive touch inputs
- Interrupt driven output
- Adjustable sensitivity with external capacitor or by internal register
- Low power consumption
- ESD HBM 8kV
- IC controller in QFN-16 (3mm × 3mm)

QUICK START



Figure 1: Photo of IS31SE5104 Evaluation Board

RECOMMENDED EQUIPMENT

- 5.0V, 500mA power supply

ABSOLUTE MAXIMUM RATINGS

- ≤ 5.5V power supply

Caution: Do not exceed the conditions listed above, otherwise the board will be damaged.

PROCEDURE

The IS31SE5104 evaluation board is fully assembled and tested. Follow the steps listed below to verify board operation.

Caution: Do not turn on the power supply until all connections are completed.

- 1) Connect the ground lead of the power supply to the EVB GND terminal and the positive lead to the EVB VCC terminal. Or use the connector (DC IN) with a power adaptor: jack size 3.5mm x 1.35mm.
- 2) Turn on the power supply and pay attention to the supply current. If the current exceeds 100mA, please check for a circuit fault.

EVALUATION BOARD OPERATION

This evaluation board is controlled by a pre-programmed P89LPC922 (80C51 core).

IS31SE5104 evaluation board has 4 touch surfaces designed on a 2mm thick acrylic board to induce a dielectric. Each touch surface has an associated LED that will light when the corresponding surface area is touched.

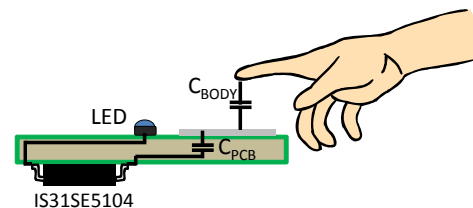


Figure 2: Capacitance Detection

The capacitance (C_{BODY}) of an approaching finger increases as it approaches the sense area. The IS31SE5104 detects this increase in capacitance and turns on the associated LED.

SOFTWARE SUPPORT

Please refer to the integrated program.

Please refer to the datasheet for more information.

IS31SE5104 4-CH CAPACITIVE TOUCH SENSOR EVALUATION BOARD

ORDERING INFORMATION

Part No.	Temperature Range	Package
IS31SE5104-QFLS2-EB	-40°C ~ +85°C (Industrial)	QFN-16, Lead-free

Table 1: Ordering Information

For pricing, delivery, and ordering information, please contacts ISSI's analog marketing team at analog@issi.com or (408) 969-6600.

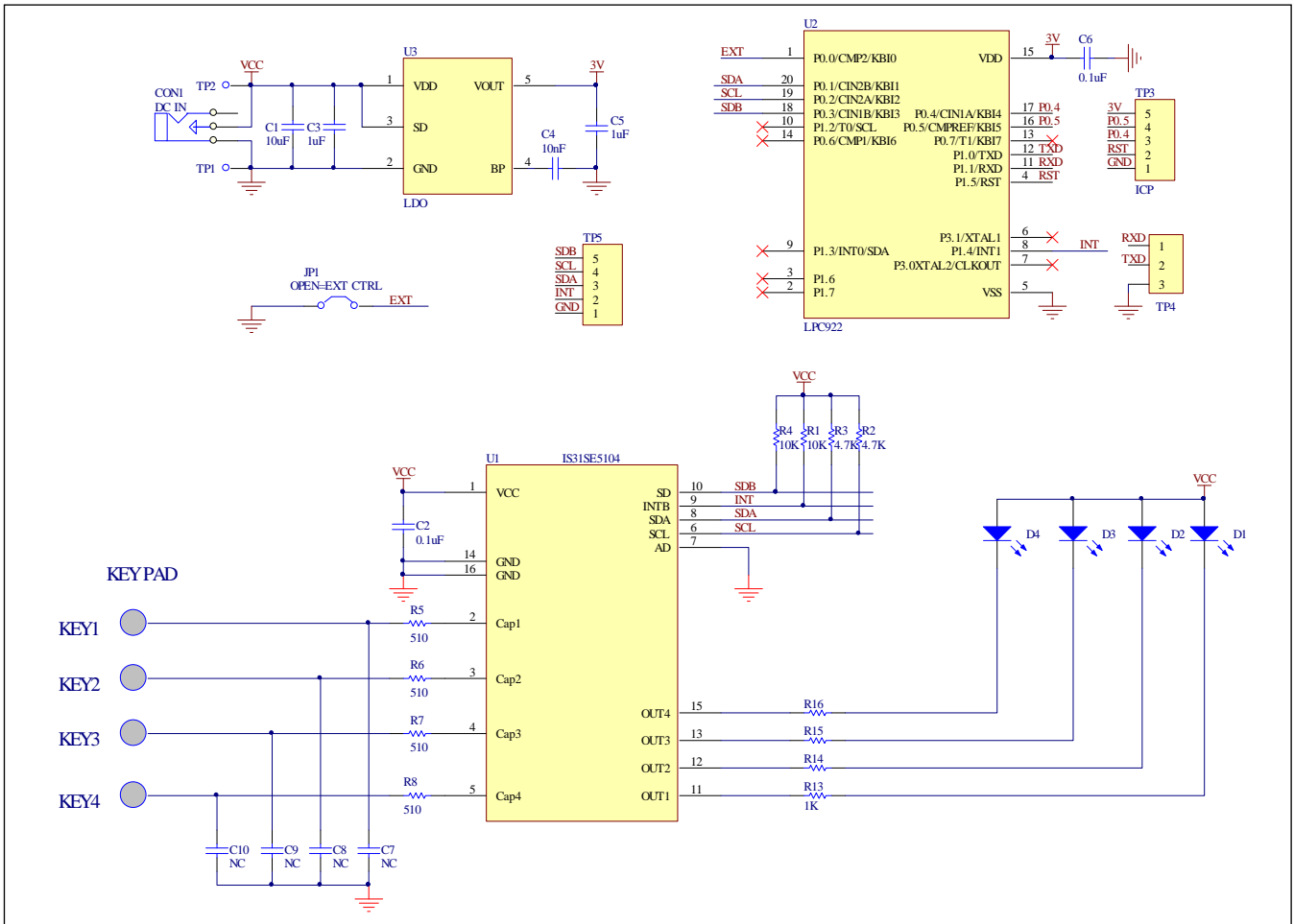


Figure 3: IS31SE5104 Application Schematic



IS31SE5104 4-CH CAPACITIVE TOUCH SENSOR EVALUATION BOARD

BILL OF MATERIALS

Name	Symbol	Description	Qty.	Supplier	Part No.
Touch Sensor	U1	Capacitive touch sensor	1	ISSI	IS31SE5104
MCU	U2	Microcontroller	1	NXP	LPC922
LDO	U3	Low-dropout regulator	1	PAM	PAM3101
LED	D1~D4	Diode, LED blue, SMD	4	Everlight	19-217/BHC-ZL1M2RY /3T
Resistor	R1,R4	RES,10k,1/16W,±5%,SMD	2	YAGEO	RC0603FR-0710KL
Resistor	R2,R3	RES,4.7k,1/16W,±5%,SMD	2	YAGEO	RC0603FR-074K7L
Resistor	R5~R8	RES,510,1/16W,±5%,SMD	4	YAGEO	RC0603FR-07510RL
Resistor	R13~R16	RES,1k,1/16W,±5%,SMD	4	YAGEO	RC0603FR-071KL
Capacitor	C1	CAP,10µF,16V,±20%,SMD	1	YAGEO	CC0805JKX7R6BB106
Capacitor	C2, C6	CAP, 0.1µF,16V,±20%,SMD	2	YAGEO	CC0603JKX7R9BB104
Capacitor	C3, C5	CAP, 1µF,16V,±20%,SMD	2	YAGEO	CC0805JKX7R9BB105
Capacitor	C4	CAP,10nF,16V,±20%,SMD	1	YAGEO	CC0603JKX7R9BB103
Capacitor	C7~C10	Not Connect	4		

Bill of Materials, refer to Figure 3 above.

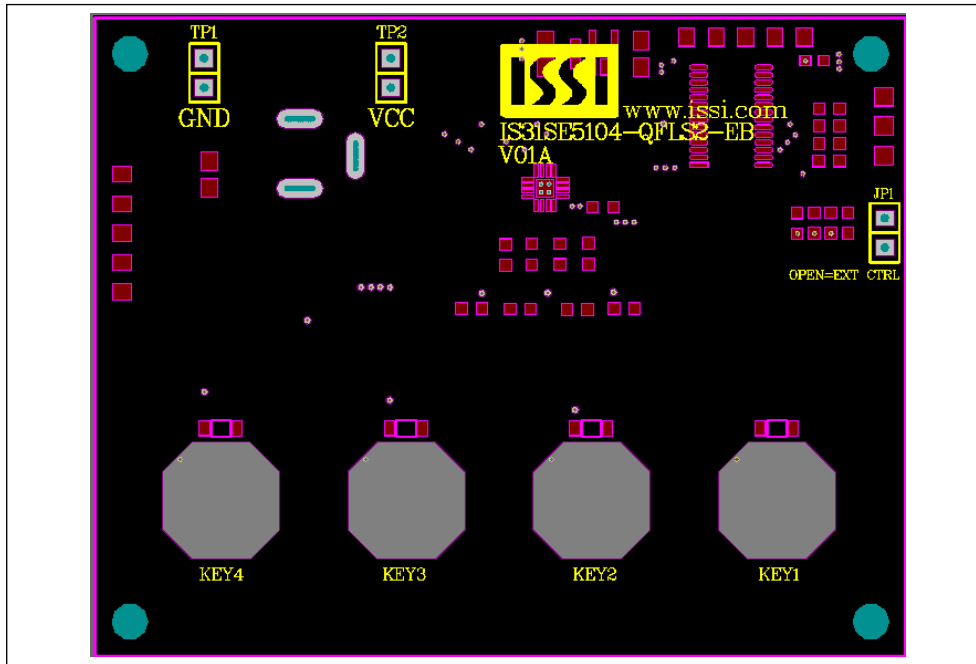


Figure 4: Board Component Placement Guide - Top Layer

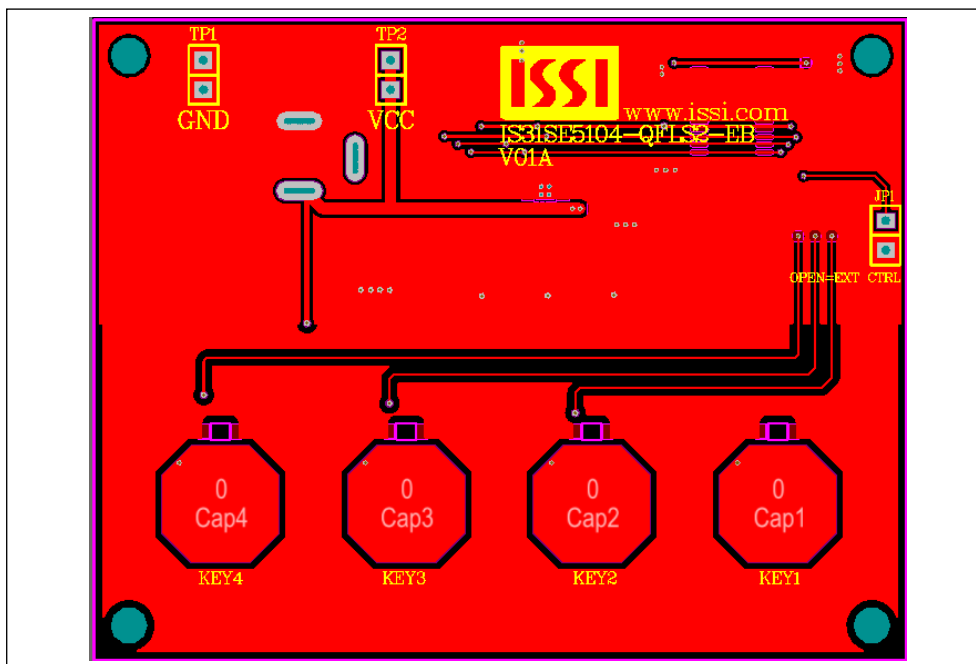


Figure 5: Board PCB Layout - Top Layer

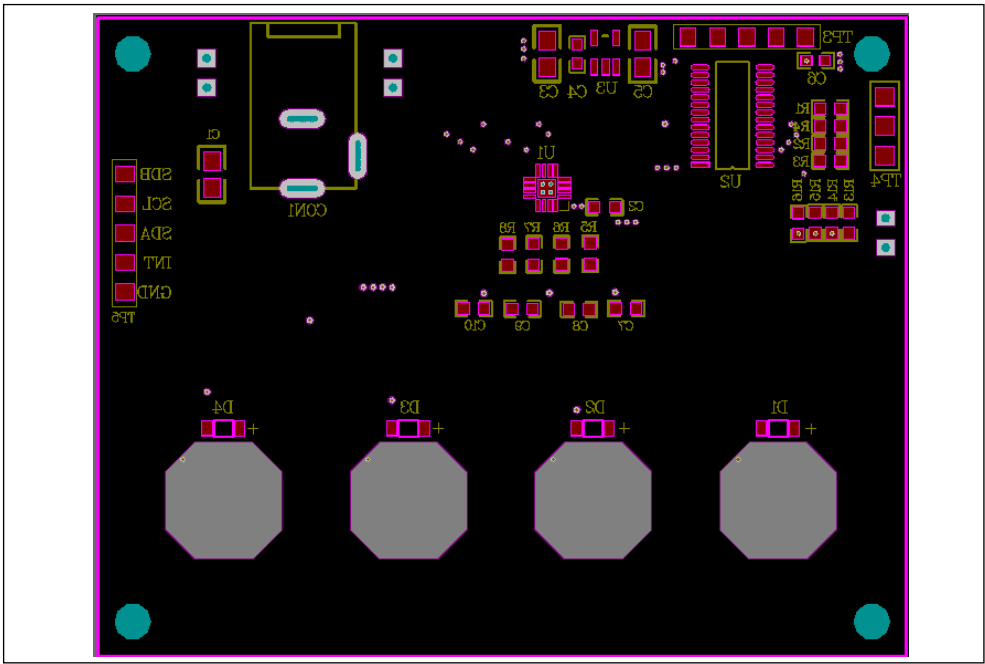


Figure 6: Board Component Placement Guide - Bottom Layer

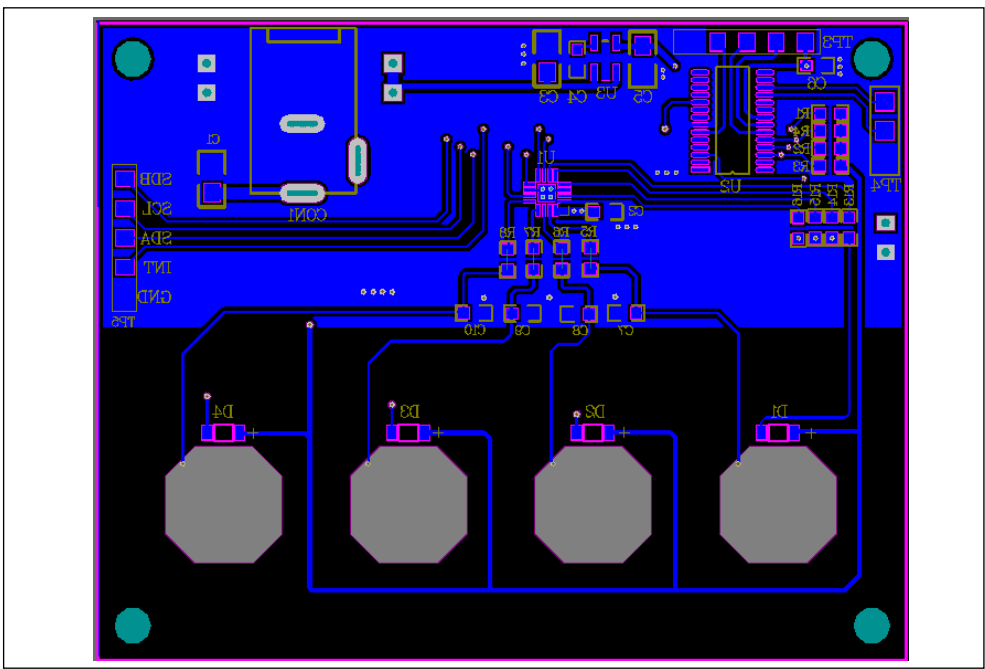


Figure 7: Board PCB Layout - Bottom Layer

Copyright © 2014 Integrated Silicon Solution, Inc. All rights reserved. ISSI reserves the right to make changes to this specification and its products at any time without notice. ISSI assumes no liability arising out of the application or use of any information, products or services described herein. Customers are advised to obtain the latest version of this device specification before relying on any published information and before placing orders for products.

Integrated Silicon Solution, Inc. does not recommend the use of any of its products in life support applications where the failure or malfunction of the product can reasonably be expected to cause failure of the life support system or to significantly affect its safety or effectiveness.

Products are not authorized for use in such applications unless Integrated Silicon Solution, Inc. receives written assurance to its satisfaction, that:

- a.) the risk of injury or damage has been minimized;
- b.) the user assume all such risks; and
- c.) potential liability of Integrated Silicon Solution, Inc is adequately protected under the circumstances