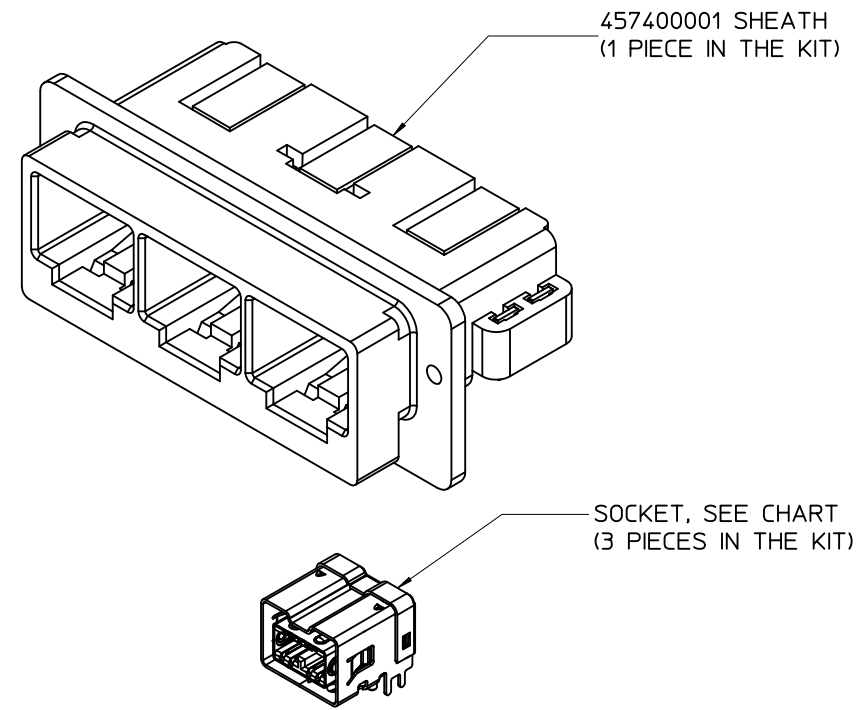


KIT PART NUMBER	KIT PACKAGING	SOCKET PART NUMBER	SOCKET PACKAGING STYLE	SHEATH PACKAGING STYLE
45740-1001	PER PK-45740-101	46270-0001	TRAY	TRAY
45740-1002	PER PK-45740-102	46270-0002	TAPE & REEL	TRAY



- NOTES:
1. MATERIAL: SEE THE BODY OF THE DRAWING.
 2. FINISH:
TRIPLE PORT SHEATH: SEE SD-45740-001
BILINGUAL SOCKET: SEE SD-46270-001
 3. PRODUCT SPECIFICATION: PS-45740-001
 4. PACKAGING: SEE CHART
 5. THE PARTS CONFORM TO CLASS "B" REQUIREMENTS OF COSMETIC SPECIFICATION PS-45499-002.

ADD SOCKET PART # EC NO: UCP2011-2133 3) DRAWN/KIPPER 2011/01/18 CHKD: BANDERSON 2011/01/18 APPR: FSMITH 2011/01/27	QUALITY SYMBOLS $\nabla F=0$ $\nabla F=0$ $\nabla F=0$	GENERAL TOLERANCES (UNLESS SPECIFIED)		DIMENSION STYLE MM ONLY		SCALE 2:1	DESIGN UNITS METRIC	THIRD ANGLE PROJECTION																													
		<table border="1"> <thead> <tr> <th></th> <th>mm</th> <th>INCH</th> </tr> </thead> <tbody> <tr> <td>4 PLACES</td> <td>± ---</td> <td>± ---</td> </tr> <tr> <td>3 PLACES</td> <td>± ---</td> <td>± ---</td> </tr> <tr> <td>2 PLACES</td> <td>± ---</td> <td>± ---</td> </tr> <tr> <td>1 PLACE</td> <td>± ---</td> <td>± ---</td> </tr> </tbody> </table>		mm	INCH	4 PLACES	± ---	± ---	3 PLACES	± ---	± ---	2 PLACES	± ---	± ---	1 PLACE	± ---	± ---	<table border="1"> <thead> <tr> <th>DRAWN BY</th> <th>DATE</th> </tr> </thead> <tbody> <tr> <td>PELOZA</td> <td>04/05/07</td> </tr> <tr> <th>CHECKED BY</th> <th>DATE</th> </tr> <tr> <td>PELOZA</td> <td>04/05/07</td> </tr> <tr> <th>APPROVED BY</th> <th>DATE</th> </tr> <tr> <td>COMERCI</td> <td>04/05/07</td> </tr> </tbody> </table>	DRAWN BY	DATE	PELOZA	04/05/07	CHECKED BY	DATE	PELOZA	04/05/07	APPROVED BY	DATE	COMERCI	04/05/07	TITLE SHEATH AND SOCKET KIT TRIPLE PORT SHEATH		MOLEX INCORPORATED		DOCUMENT NO. SD-45740-101		SHEET NO. 1 OF 1
		mm	INCH																																		
	4 PLACES	± ---	± ---																																		
3 PLACES	± ---	± ---																																			
2 PLACES	± ---	± ---																																			
1 PLACE	± ---	± ---																																			
DRAWN BY	DATE																																				
PELOZA	04/05/07																																				
CHECKED BY	DATE																																				
PELOZA	04/05/07																																				
APPROVED BY	DATE																																				
COMERCI	04/05/07																																				
C2	DRAFT WHERE APPLICABLE MUST REMAIN WITHIN DIMENSIONS	MATERIAL NO. SEE CHART		THIS DRAWING CONTAINS INFORMATION THAT IS PROPRIETARY TO MOLEX INCORPORATED AND SHOULD NOT BE USED WITHOUT WRITTEN PERMISSION																																	