

Daten & Signal, Socket, 6.3 mm, 3-pole, solder terminals for PCB, shielded



### Description

- PCB Mounting:  
Screw-on mounting, from rear-side
- Data and Signal transfer
- Data and Signal Connectors 3-pole, shielded, straight
- Reinforced gold plating for increased insertions

### References

Alternative: Housing insulated [4803.2330](#)

### Weblinks

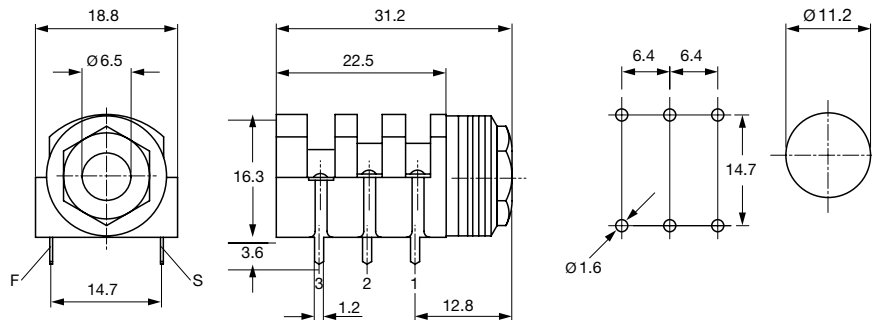
[pdf-datasheet](#), [html-datasheet](#), [General Product Information](#), [RoHS](#), [CHINA-RoHS](#), [REACH](#), [Mating Connectors](#), [e-Shop](#), [SCHURTER-Stock-Check](#), [Distributor-Stock-Check](#)

### Technical Data

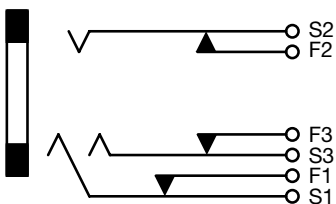
|                       |                     |
|-----------------------|---------------------|
| Diameter              | 6.3 mm              |
| Number of Poles       | 3-pole              |
| Ratings DC            | 2A / 12VDC          |
| Ratings AC            | 2A / 12VAC          |
| Dielectric Strength   | 1000VDC             |
| Insulation Resistance | > 10000 MΩ @ 500VDC |

|                           |  |
|---------------------------|--|
| Allowable Operation Temp. | -20 °C to 70 °C                                |
| Terminal                  | PCB terminals                                  |
| Mounting                  | Screw-on mounting<br>wall thickness max. 5.0mm |
| Housing                   | screened                                       |
| Style                     | straight                                       |
| Lifetime                  | 10000 Insertions                               |

### Dimensions



### Diagrams



**All Variants**

| Product group                    | Diameter [mm] | Number of Poles | Terminal      | Order Number |
|----------------------------------|---------------|-----------------|---------------|--------------|
| Data and Signal Plug/<br>Sockets | 6.3           | 3-pole          | PCB terminals | 4803.2320    |

Availability for all products can be searched real-time:<http://www.schurter.com/en/Stock-Check/Stock-Check-SCHURTER>

**Packaging unit** 100 Pcs

**Mating Inlets/Plugs****Category / Description**

[Data and Signal Plug/Socket Overview complete](#)



|   |           |
|---|-----------|
| Data & Signal, Plug, 6.3 mm, 3-pole, solder terminal, shielded          | 4803.1300 |
| Data & Signal, Plug, 6.3 mm, 3-pole, solder terminal, insulated         | 4803.1310 |
| Data & Signal, Plug, 6.3 mm, 3-pole, solder terminal, insulated, angled | 4803.1320 |

[Data and Signal Plug/Socket further types to 4803 UK-Stecker, D=6,5mm](#)