

PART NAME: KNOB SCALE: 2:1 DATE: 12/14/95 DR. BY HD

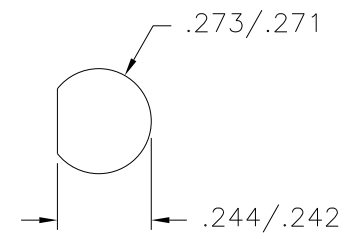
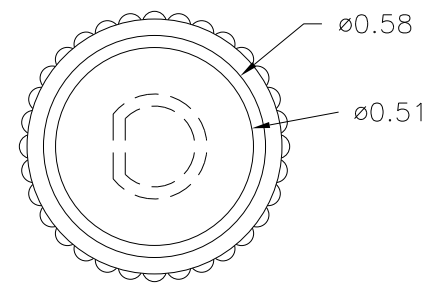
THIS DRAWING IS THE PROPERTY OF DAVIES MOLDING COMPANY, IS SUBMITTED SOLELY AS A DESIGN OR ENGINEERING PROJECT. WE ACCEPT NO RESPONSIBILITY WHATSOEVER FOR THE PRACTICAL APPLICATION OF THE PIECES MADE TO THIS DESIGN.

DAVIES MOLDING DESIGNERS & MANUFACTURERS OF KNOBS, HANDLES, CASES & CUSTOM PLASTIC COMPONENTS

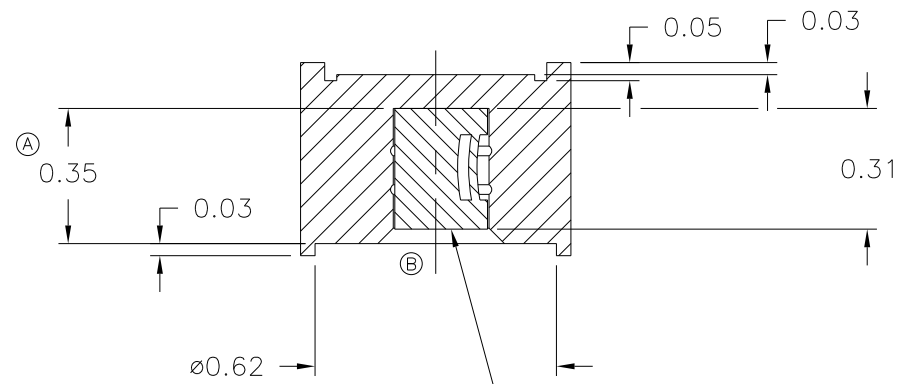
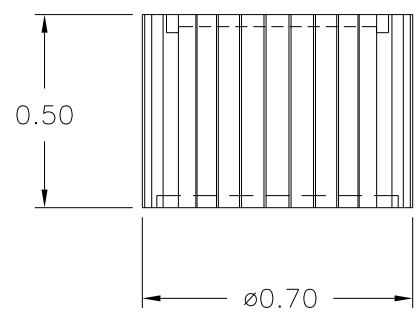
P/N 8070-M
 BASE PART 8070-02
 SPRING I1216

©

MOLDED HOLE DETAIL



(TOOL ORDER # 5646)



I1216 SPRING, ø0.250
 FLATTED TO 0.218

MATERIAL: ABS
 COLOR: BLACK

TOLERANCES: UNLESS OTHERWISE SPECIFIED	DO NOT SCALE DRAWING	C	ADDED BASE PART	JAM	4/16/14
		B	REDREW HOLE & SPRING	TS	2/22/02
DECIMALS: X.XXX ± .005 X.XX ± .015	MM: X.XX ± 0.15MM X.X ± 0.4MM	A	WAS 0.31	TS	2/13/02
		-	CORRECTED DRAWING	TL	8/5/99
FRACTIONS ± 1/64	ANG. ± 1°	-	UPDATED DWG.	HD	1/4/96

CHANGES