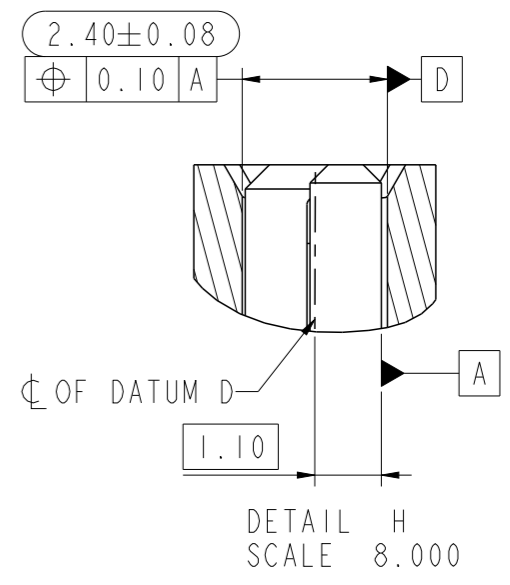
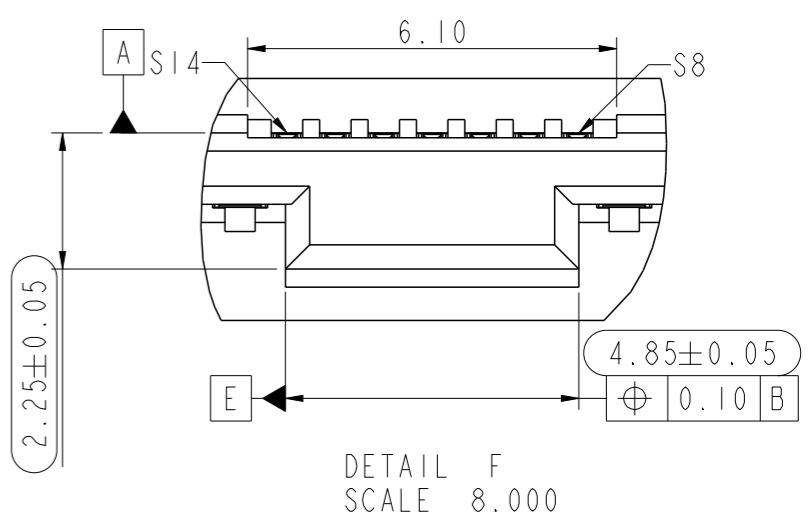
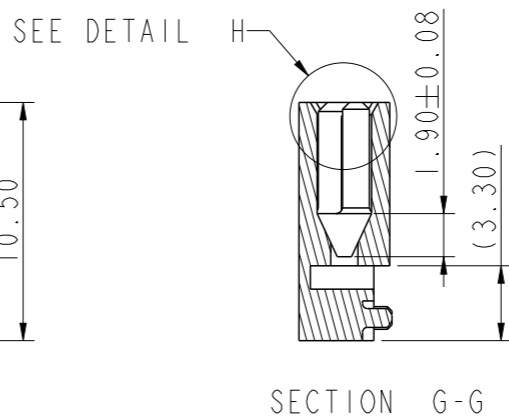
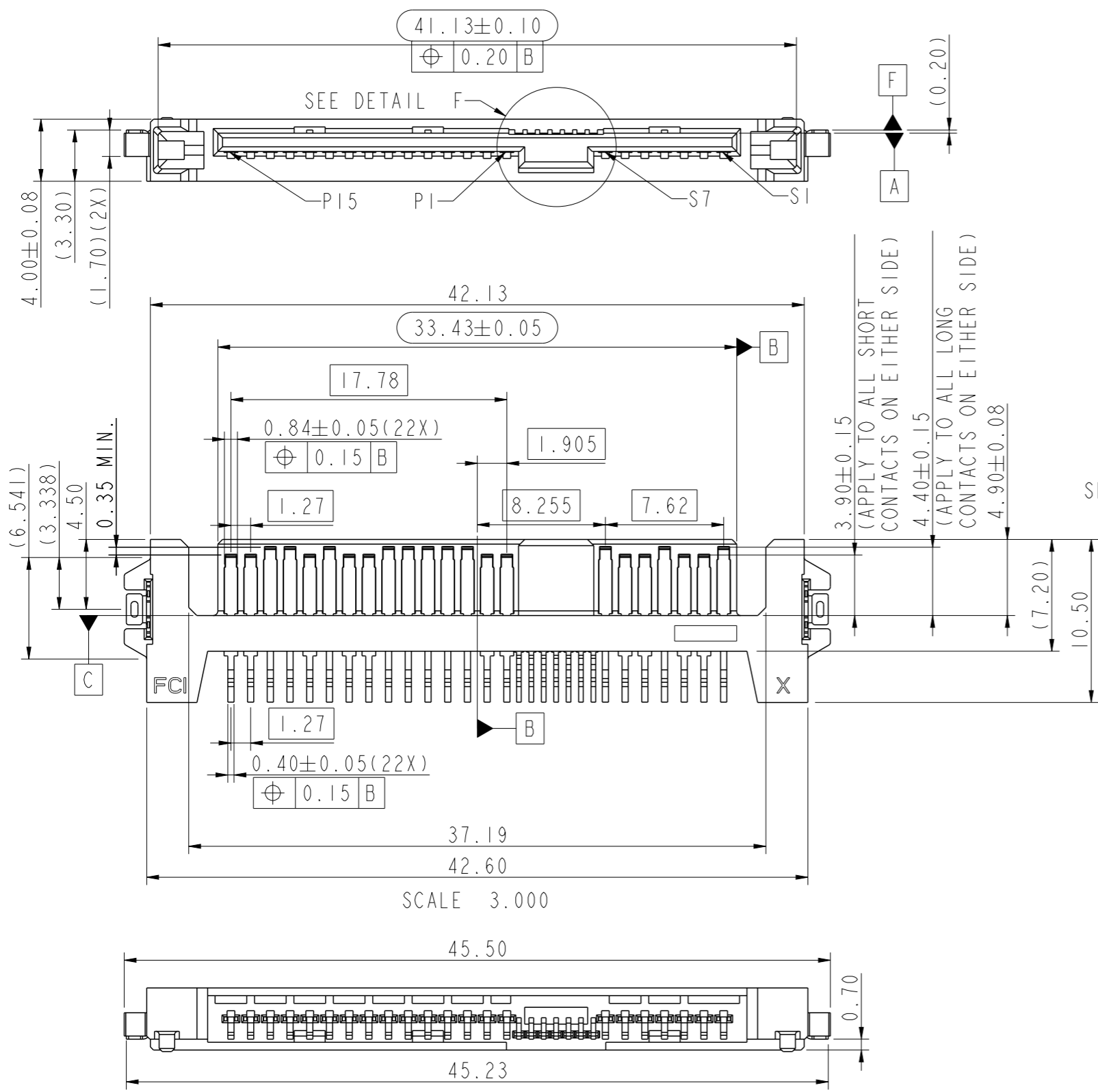


PRODUCT NO.  
 10099439-002LF  
 10099439-003C-TRLF  
 10099439-004C-TRLF



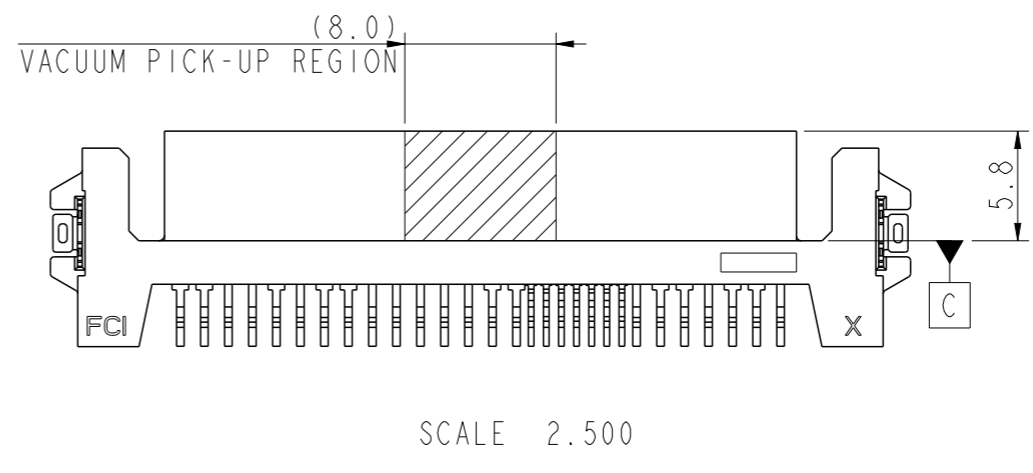
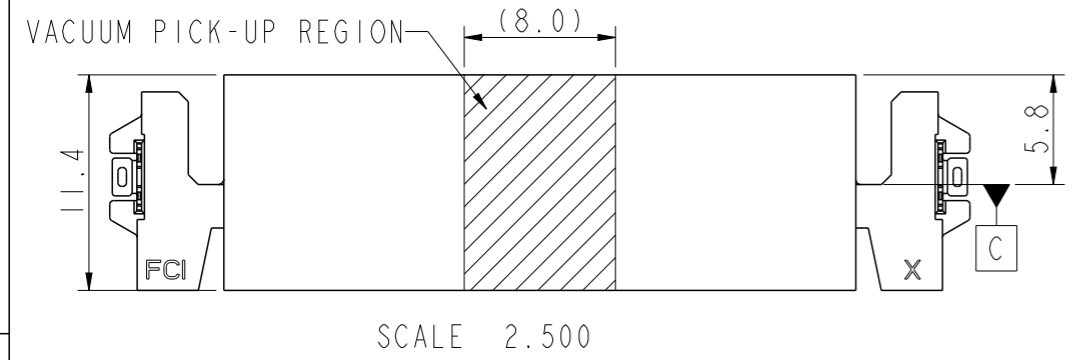
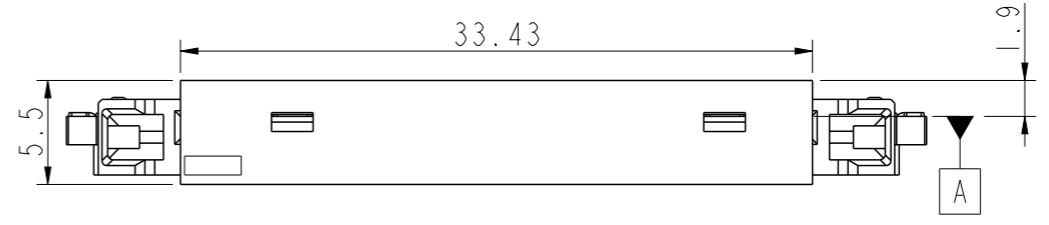
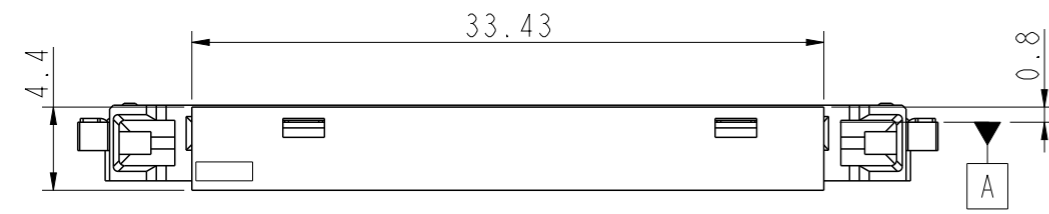
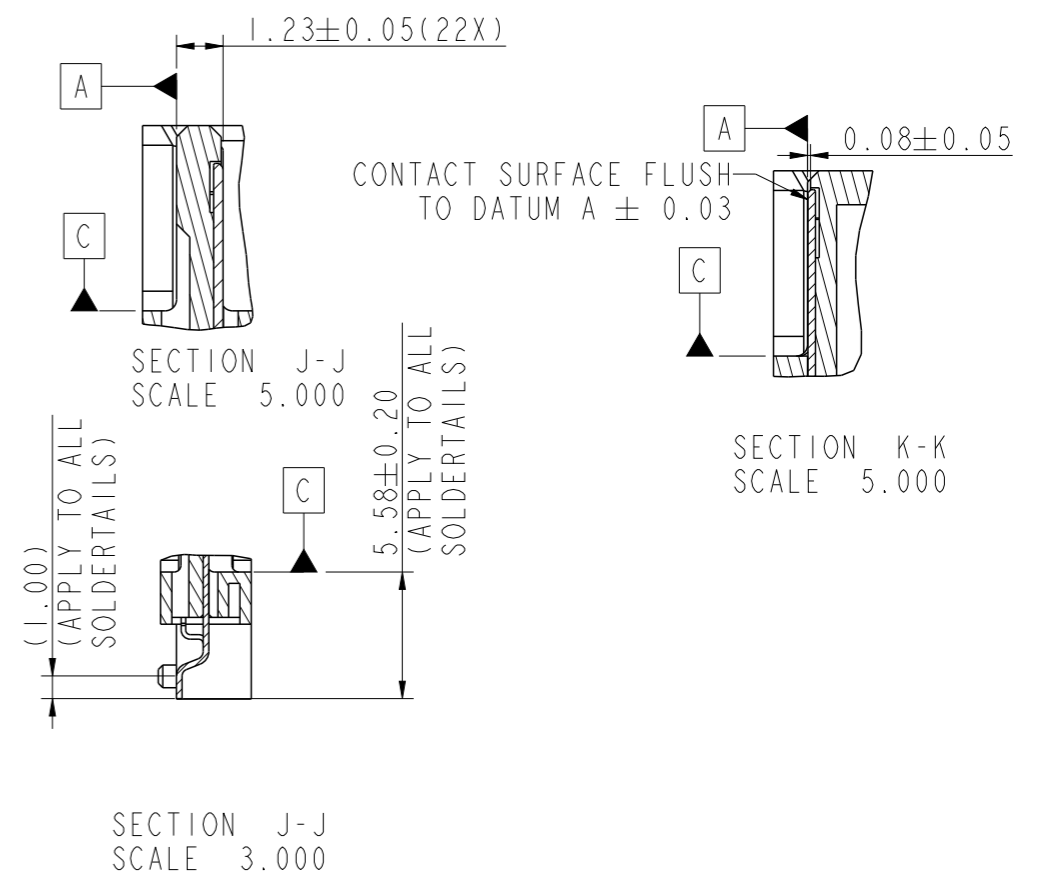
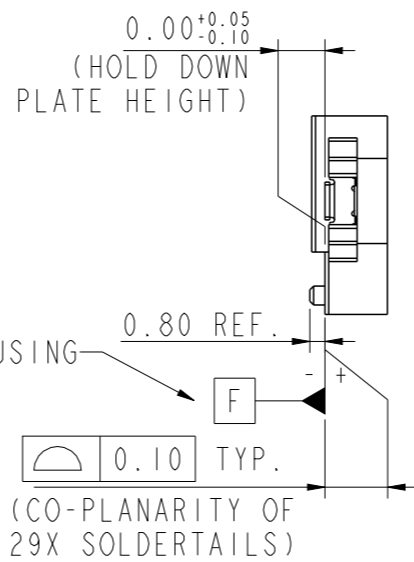
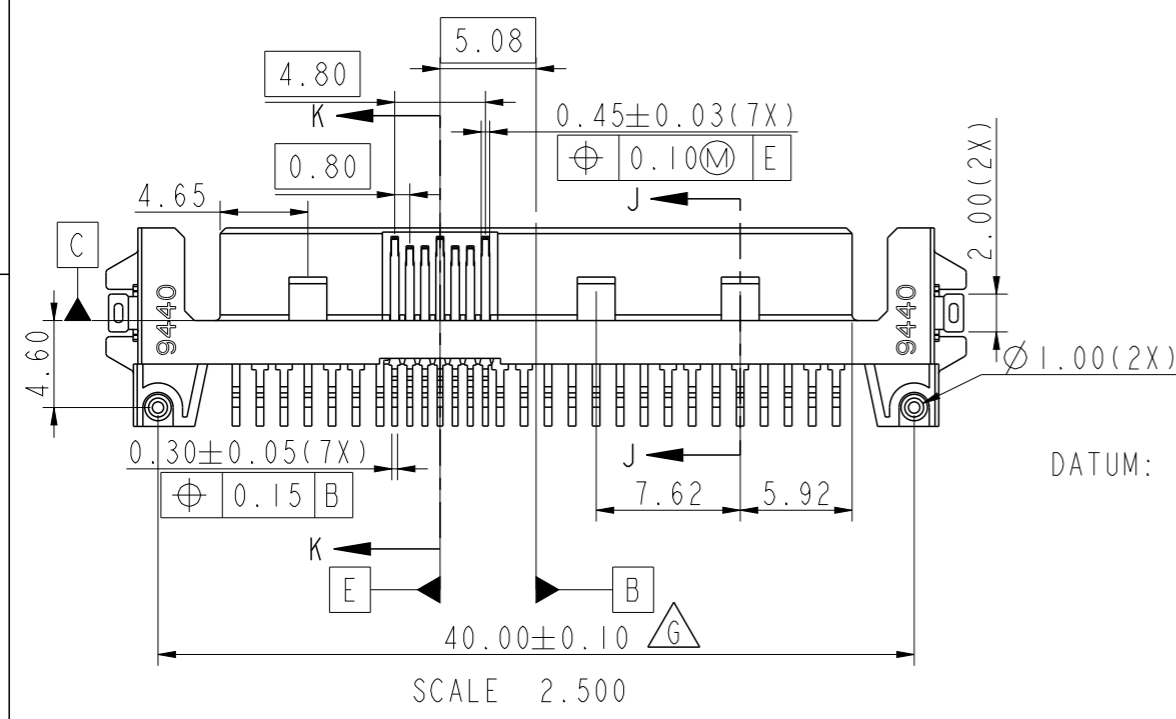
Amphenol FCI

© 2016 AFCI

|               |                                       |              |            |              |          |                |                        |           |          |         |     |       |
|---------------|---------------------------------------|--------------|------------|--------------|----------|----------------|------------------------|-----------|----------|---------|-----|-------|
| spec ref      | dr                                    | Louis Ng     | 2010/05/01 | projection   | MM       | size           | A3                     | scale     | 2.000    |         |     |       |
| tolerance std | eng                                   | Jeffrey Lim  | 2016/09/22 |              | ← →      | ecn no         | ELX-S-24900-1          | rel level | Released |         |     |       |
| ASME Y14.5    | chr                                   | -            | -          |              |          |                |                        |           |          |         |     |       |
| surface       | TOLERANCES UNLESS OTHERWISE SPECIFIED | Amphenol FCI | title      | SAS PLUG R/A | cat. no. | product family | Product - Customer Drw | dwg no    | 10099439 |         |     |       |
|               |                                       |              |            |              |          |                |                        |           |          | linear  | 0.X | ±0.25 |
|               |                                       |              |            |              |          |                |                        |           |          | angular | 0°  | ±2°   |
|               |                                       |              |            |              |          |                |                        |           | rev      |         |     |       |
|               |                                       |              |            |              |          |                |                        |           | G        |         |     |       |

|                    |                  |                    |             |
|--------------------|------------------|--------------------|-------------|
| PRODUCT NO.        | WITH PICK-UP CAP | WITH ADHESIVE TAPE | PACKAGING   |
| 10099439-002LF     | NO               | NO                 | TRAY        |
| 10099439-002CLF    | YES              |                    | TAPE & REEL |
| 10099439-003C-TRLF |                  |                    |             |
| 10099439-004C-TRLF |                  |                    |             |

△ G



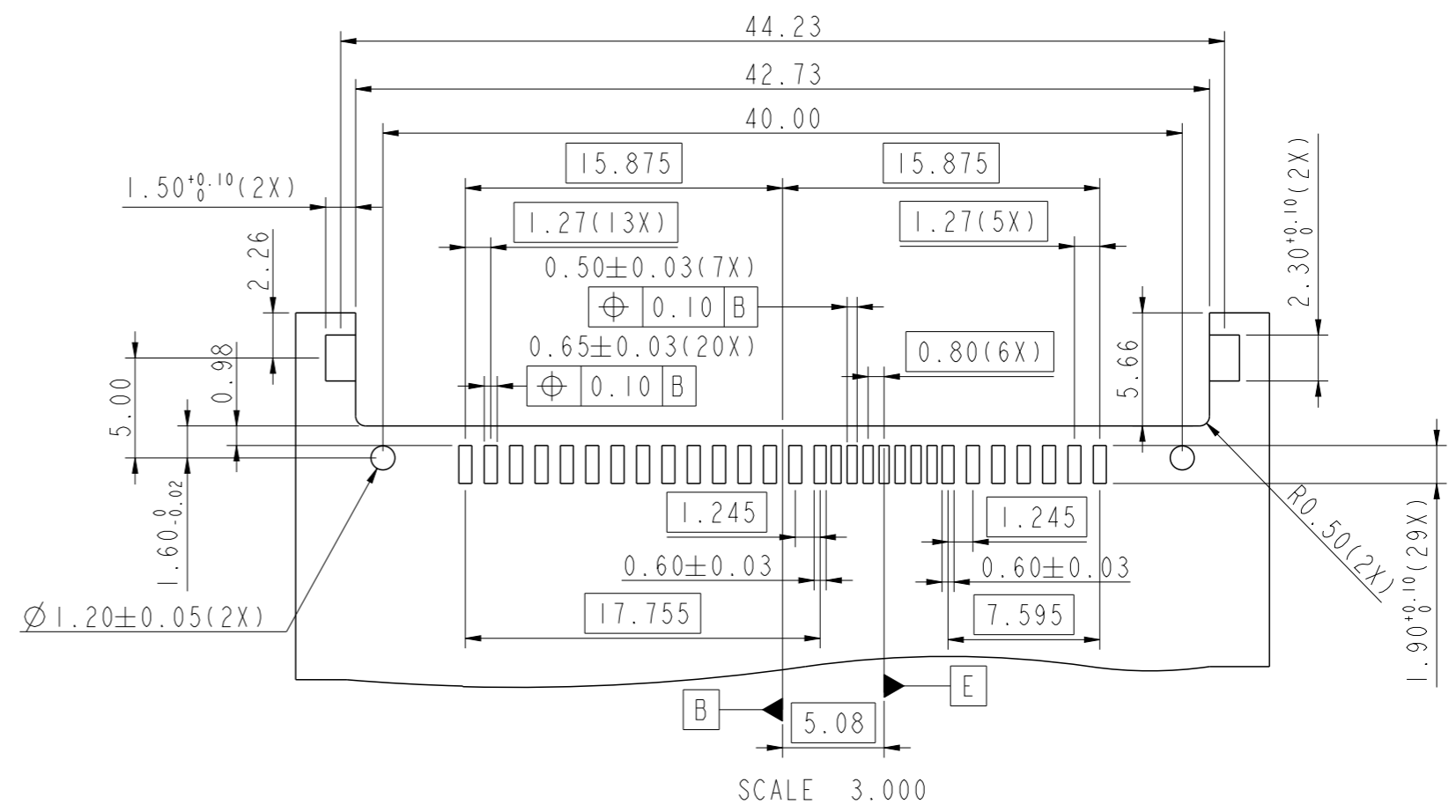
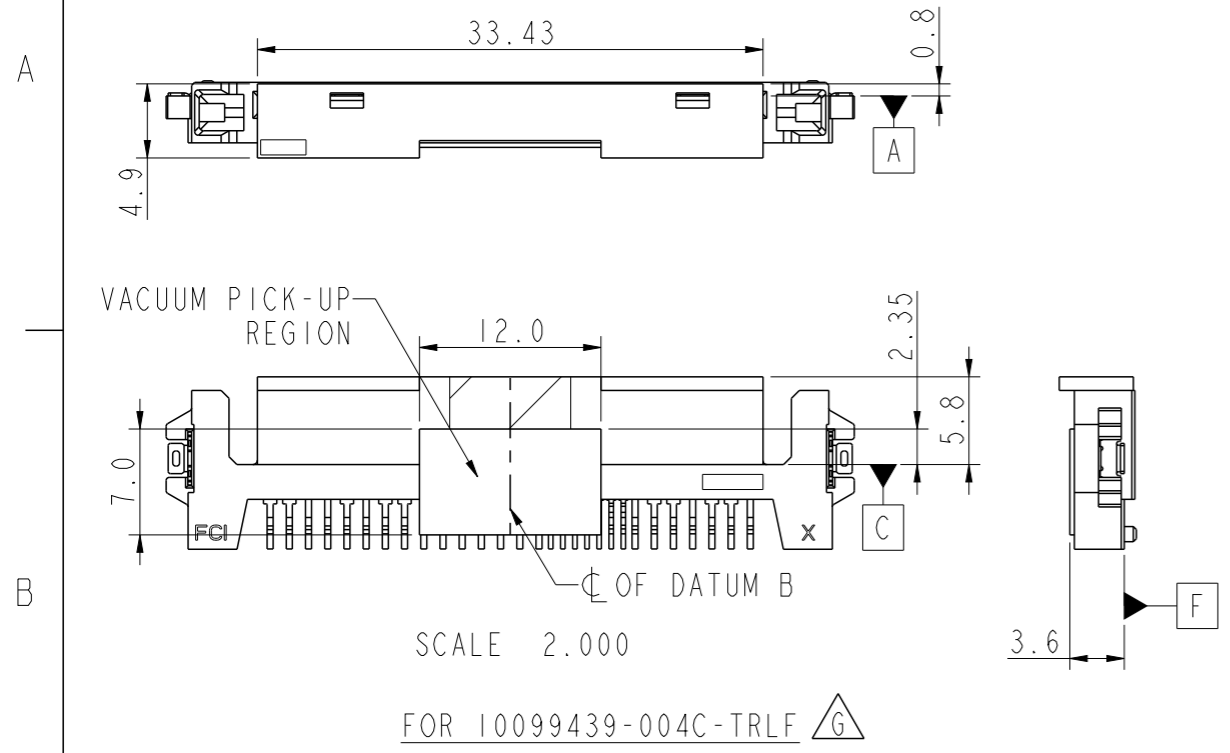
10099439-002 WITH PICK-UP CAP ATTACHED

10099439-003 WITH PICK-UP CAP ATTACHED

Amphenol FCI © 2016 AFCI

|  |         |             |            |  |          |                        |                    |           |          |
|--|---------|-------------|------------|--|----------|------------------------|--------------------|-----------|----------|
| spec ref   | dr      | Louis Ng    | 2010/05/01 | projection   | MM       | size                   | A3                 | scale     | 2.000    |
| tolerance std                                      | eng     | Jeffrey Lim | 2016/09/22 |  |          | ecn no                 | ELX-S-24900-1      | rel level | Released |
| ASME Y14.5   | chr     | -           | -          |  |          |                        |                    |           |          |
| TOLERANCES UNLESS OTHERWISE SPECIFIED<br>surface ✓ | linear  | 0.X         | ±0.25      | <b>Amphenol FCI</b><br>SAS PLUG R/A<br>TYPE ASSY, Z-HT. 0.20 | cat. no. | Product - Customer Drw | dwg no<br>10099439 | rev<br>G  |          |
|  |         | 0.XX        | ±0.15      |  |          |                        |                    |           |          |
|  |         | 0.XXX       | ±0.050     |  |          |                        |                    |           |          |
|  | angular | 0°          | ±2°        |  |          |                        |                    |           |          |

PRODUCT NO.  
SEE TABLE



RECOMMENDED SMT PAD DIMENSIONS

NOTES:

- MATERIAL:  
HOUSING & CAP: HIGH TEMPERATURE THERMOPLASTIC, BLACK, UL94V-0  
ADHESIVE TAPE: POLYIMIDE  
CONTACT & HOLD DOWN: COPPER ALLOY
- FINISH:  
CONTACT: 1.27um MIN. Ni UNDERPLATE OVERALL,  
1.91um MIN. 100% MATTE Sn(LEAD-FREE) ON SOLDER TAIL,  
0.76um MIN. Au ON CONTACT AREA  
HOLD DOWN: 1.91um MIN. 100% MATTE Sn(LEAD-FREE) OVER  
1.27um MIN. Ni UNDERPLATE OVERALL
- RECOMMENDED PCB THICKNESS: 1.00mm
- PRODUCT SPECIFICATION: GS-12-282
- PACKAGING SPECIFICATION: GS-14-952(TRAY); GS-14-1038(TAPE & REEL)
- THIS PRODUCT MEETS EUROPEAN UNION DIRECTIVES AND OTHER COUNTRY REGULATIONS AS DESCRIBED IN GS-47-0004
- THE HOUSING WILL WITHSTAND EXPOSURE TO 260°C PEAK TEMPERATURE FOR 10 SECONDS IN A CONVECTION, INFRA-RED OR VAPOR PHASE REFLOW OVEN
- A SYMBOL  $\triangle G$  WILL BE NEXT TO ANY DIMENSION, VIEW OR NOTE WHICH HAS BEEN MODIFIED WITH THE CURRENT DRAWING REVISION

|               |   |              |                       |                |              |                        |               |          |       |
|---------------|---|--------------|-----------------------|----------------|--------------|------------------------|---------------|----------|-------|
| spec ref      | dr  | Louis Ng     | 2010/05/01            | projection     | MM           | size                   | A3            | scale    | 1.000 |
| tolerance std | eng   | Jeffrey Lim  | 2016/09/22            |                |              | ecn no                 | ELX-S-24900-1 |          |       |
| ASME Y14.5    | chr   | -            | -                     |                |              | rel level              | Released      |          |       |
| surface       | appr  | Koon-Poh Tay | 2016/10/06            | product family | SAS PLUG R/A |                        | dwg no        | 10099439 |       |
| linear        | <b>Amphenol FCI</b>                               |              | TYPE ASSY, Z-HT. 0.20 |                | cat. no.     | Product - Customer Drw |               | rev      | G     |
| angular       | 0.X ±0.25<br>0.XX ±0.15<br>0.XXX ±0.050<br>0° ±2° |              |                       |                | sheet 3 of 3 |                        |               |          |       |